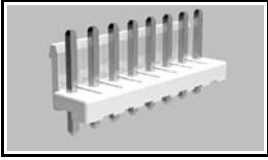


1-1123723-2 Product Details

[Share](#) [Print](#) [Email](#)



1-1123723-2

TE Internal Number: 1-1123723-2

 Active

[View 3D PDF](#)

Economy Power Connectors



Converted to EU RoHS/ELV Compliant
(Statement of Compliance)

Product Highlights:

- Economy Power Product Line
- Connector
- Applies To Printed Circuit Board
- 2 Positions
- Selectively Loaded = No

[View all Features](#)

Quick Links

- ▶ [Pricing & Availability](#)
- ▶ [Search for Tooling](#)
- ▶ [View Mating Products \(2\)](#)
- ▶ [View Headers \(1\)](#)
- ▶ [Product Feature Selector](#)
- ▶ [Contact Us About This Product](#)

[Add to My Part List](#)

[Request Sample](#)

[Find Similar Products](#)

[Buy Product](#)

Documentation & Additional Information

Product Drawings:

- [3.96\(7.92\)MM PITCH ECONOMY POWER\(EP\) CONN HEADER ASSY \(PDF, English\)](#)

Catalog Pages/Data Sheets:

- [7-1773458-5_ECONOMY_POWER_QRG \(PDF, English\)](#)

Product Specifications:

- [EP II Connector System \(PDF, English\)](#)
- [Economy Power \(EP\) Connector \(PDF, Japanese\)](#)

Application Specifications:

- [Economy Power \(EP\)-II Contacts and Receptacle Housings \(PDF, English\)](#)
- [Crimping Economy Power \(EP\) Contact \(PDF, Japanese\)](#)

Instruction Sheets:

- [Economy Power \(EP\) Connector \(PDF, Japanese\)](#)

CAD Files: (CAD Format & Compression Information)

- [2D Drawing \(DXF, Version W\)](#)
- [3D Model \(IGES, Version W\)](#)
- [3D Model \(STEP, Version W\)](#)

[List all Documents](#)

Related Products:

- [Tooling](#)
- [Mating Products \(2\)](#)
- [Headers \(1\)](#)

Product Features (Please use the Product Drawing for all design activity)

Product Type Features:

- Product Line = Economy Power
- Product Type = Connector
- Connector Type = Header
- PCB Mounting Orientation = Vertical
- PCB Mount Retention = Without
- PCB Mount Alignment = Without
- Termination Method to PC Board = Through Hole - Solder
- Sealed = No

Mechanical Attachment:

- Mating Retention Type = Latching

Electrical Characteristics:

Housing Features:

- Centerline (mm [in]) = 3.96 [0.156]
- Connector Style = Plug
- Housing Color = Natural
- Housing Material = PBT
- Mating Alignment = With
- UL Flammability Rating = UL 94V-0

Configuration Features:

- Number of Positions = 2
- Number of Rows = 1

Industry Standards:

- RoHS/ELV Compliance = RoHS compliant, ELV

- Contact - Rated Current (A) = 7.5
- Operating Voltage Reference = AC
- Operating Voltage (VAC) = 250

Termination Features:

- Tail Orientation = In-line
- Tail Length (mm [in]) = 3.7 [0.146]

Dimensions:

- PCB Thickness, Recommended (mm [in]) = 1.60 [0.063]
- Length (X-Axis) (mm [in]) = 7.86 [0.3094]
- Width (Z-Axis) (mm [in]) = 10.70 [0.421]
- Profile Height (Y-Axis) (mm [in]) = 8.50 [0.3346]

Body Features:

- Selectively Loaded = No
- Header Type = Unshrouded
- Mating Retention = With

Contact Features:

- Contact Type = Pin
- Contact Plating, Termination Area, Material = Tin
- Contact Plating, Termination Area, Thickness (μm [μin]) = 0.8 [31.49]
- Contact Plating, Mating Area, Thickness (μm [μin]) = 0.8 [31.49]
- Contact Plating, Mating Area, Material = Tin
- Contact Design = Square Post
- Contact Base Material = Brass

compliant

- [Lead Free Solder Processes](#) = Wave solder capable to 240°C, Wave solder capable to 260°C, Wave solder capable to 265°C
- RoHS/ELV Compliance History = Converted to comply with RoHS directive

Environmental:

- Operating Temperature ($^{\circ}\text{C}$ [$^{\circ}\text{F}$]) = -25 - +105 [-13 - +221]

Conditions for Usage:

- Applies To = Printed Circuit Board
- Glow Wire Rating = Standard Part - Not Glow Wire

Operation/Application:

- Contact Transmits (Typical Application) = Power

Other:

- Brand = AMP

Corporate Information

- [About TE](#)
- [Investors](#)
- [News Room](#)
- [Supplier Portal](#)
- [Careers](#)
- [Terms & Conditions](#)
- [Privacy Policy](#)

Quick Links

- [Distributor Inventory](#)
- [Product Cross Reference](#)
- [Documents & Drawings](#)
- [Product Compliance Support Center](#)
- [Site Map](#)

Customer Support

- [Email or Chat With Us](#)
- [Find a Phone Number](#)
- [Knowledge Base](#)
- [Manage Your Account](#)

Keep Me Informed



THIS DRAWING IS UNPUBLISHED. RELEASED FOR PUBLICATION
 © COPYRIGHT - By - ALL RIGHTS RESERVED.

LOC	DIST	REVISIONS 変更					
		P	LTR	DESCRIPTION	DATE	DWN	APVD
J	-	Z1		REVISED PER ECR-12-007692	25APR12	LL	FM

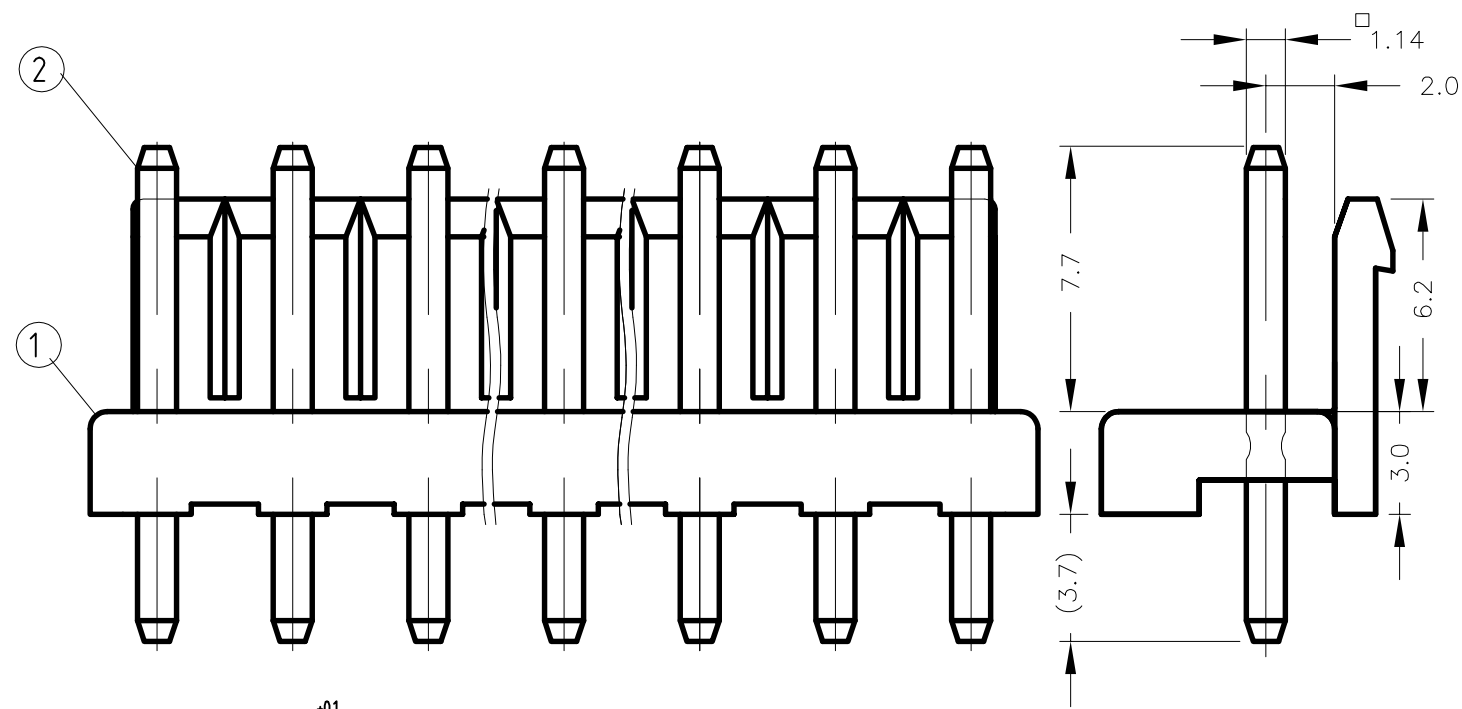
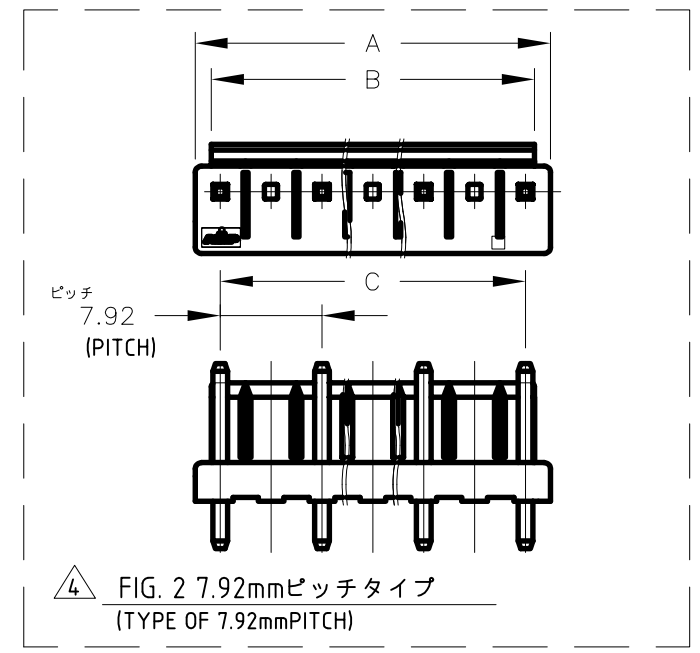
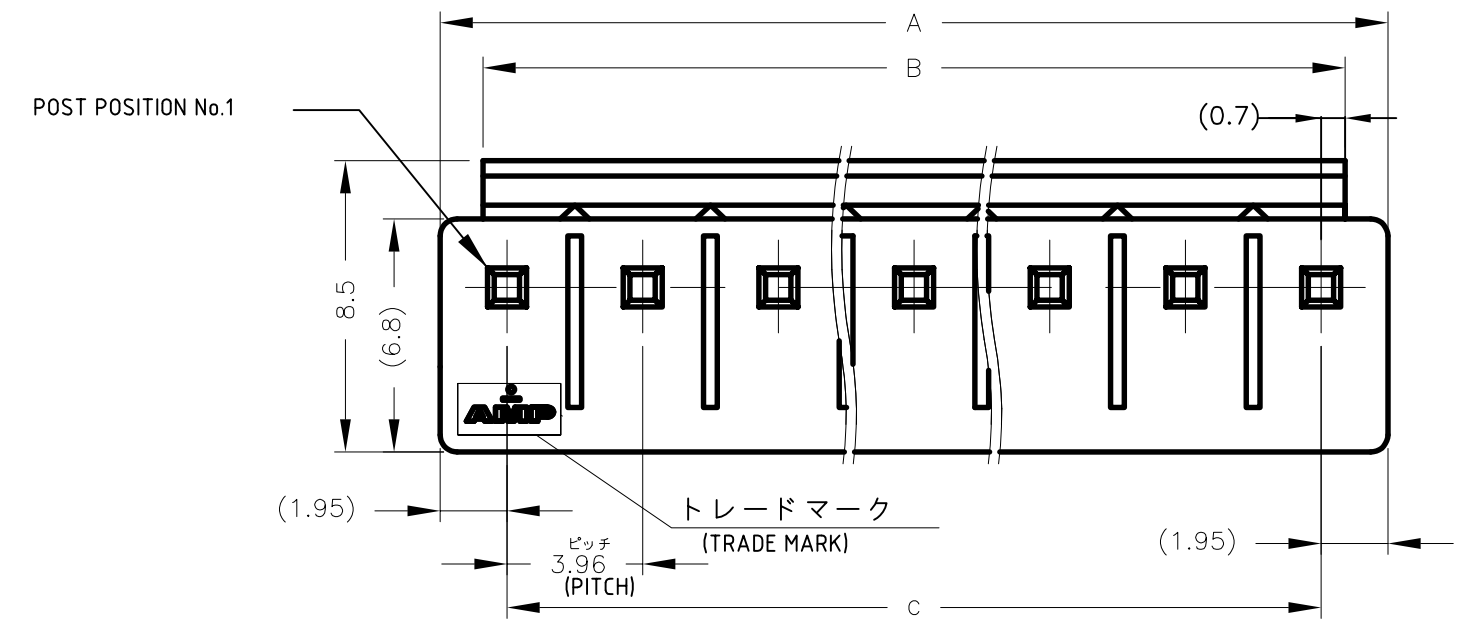
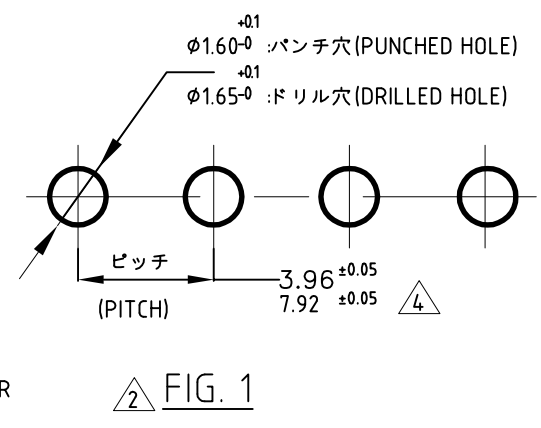


表1 (TABLE 1)

No	名称 (NAME)	材料 (MATERIAL)
①	ヘッダーハウジング (HEADER HOUSING)	PBT ガラス強化 UL94V-0 (PBT GLASS FILLED UL94V-0)
②	ポスト コンタクト (POST CONTACT)	黄銅錫めっき仕上げ (POST TIN · BRASS)

- 注記:
- 1. 嵌合相手側製品型番: □-1123722-□
 - 2. 取付け基板寸法: FIG.1 参照
 - 3. 適用基板厚: 1.6t
 - 4. 7.92mmピッチタイプ (FIG.2参照)

- NOTES:
- 1. MATING CONN P/N: □-1123722-□
 - 2. APPLICABLE P.C.B LAY OUT: SEE FIG.1
 - 3. APPLICABLE P.C.B THICKNESS: 1.6t
 - 4. TYPE OF 7.92mmPITCH(SEE FIG.2)
 - 5. OBSOLETE PARTS: OBSOLETE CIS STREAMLINING PER D.RENAUD/D.SINISI



THIS DRAWING IS A CONTROLLED DOCUMENT.

DIMENSIONS: 単位: 耗 mm	TOLERANCES UNLESS OTHERWISE SPECIFIED: 一般公差	DWN N.YAMASAKI 13MAR'01	TE Connectivity
0 PLC 5 ^{>} ± 0.3	1 PLC 5 ^{<} ± 0.4	CHK M.SHINDO 13MAR'01	
2 PLC ±	3 PLC ±	APVD Y.KASHIWA 13MAR'01	NAME 名称 3.96(7.92)MM PITCH ECONOMY POWER(EP) CONN HEADER ASSY 3.96(7.92)mmピッチ エコノミーパワー(EP)コネクタ ヘッダーアッセンブリ
4 PLC ±	4 PLC ANGLES ±	PRODUCT SPEC 製品規格 108-5609	
MATERIAL 材料 SEE TABLE1	FINISH 仕上 //	APPLICATION SPEC 取付適用規格 //	SIZE A3
		WEIGHT //	CAGE CODE 00779
		CUSTOMER DRAWING	DRAWING NO 番号 G=1123723
			RESTRICTED TO -
			SCALE 尺度 //
			SHEET 1 of 3
			REV Z1

