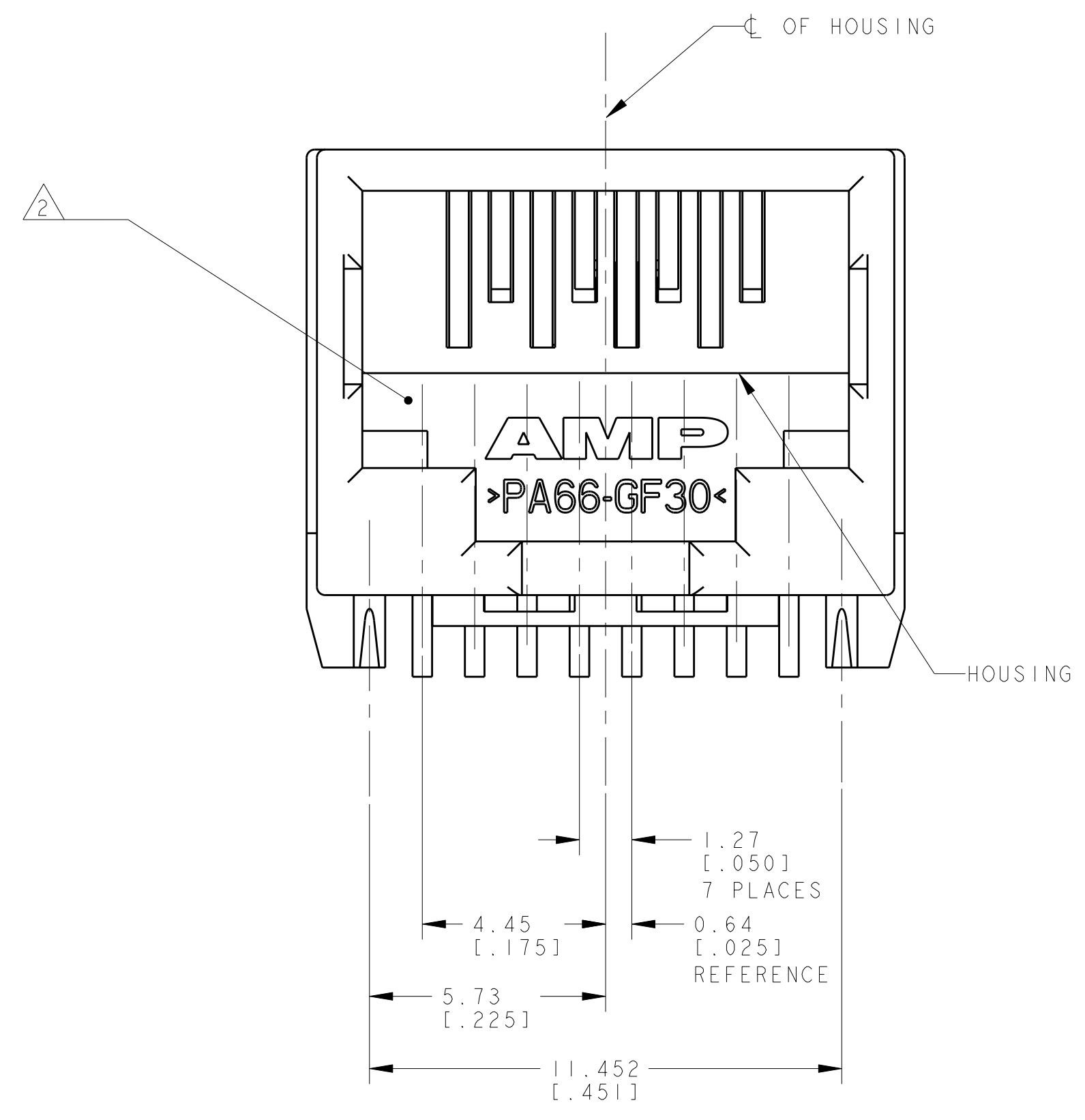
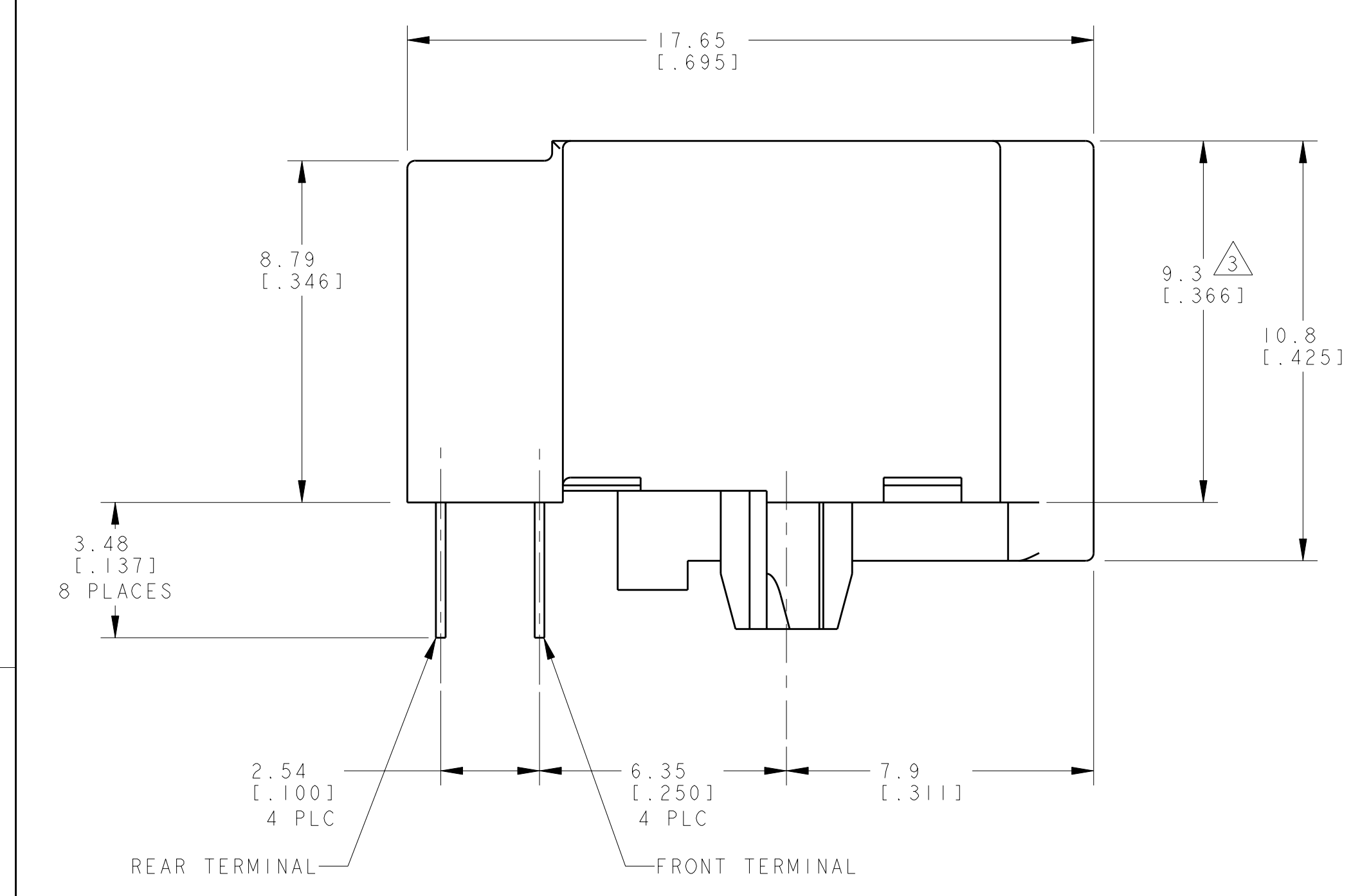
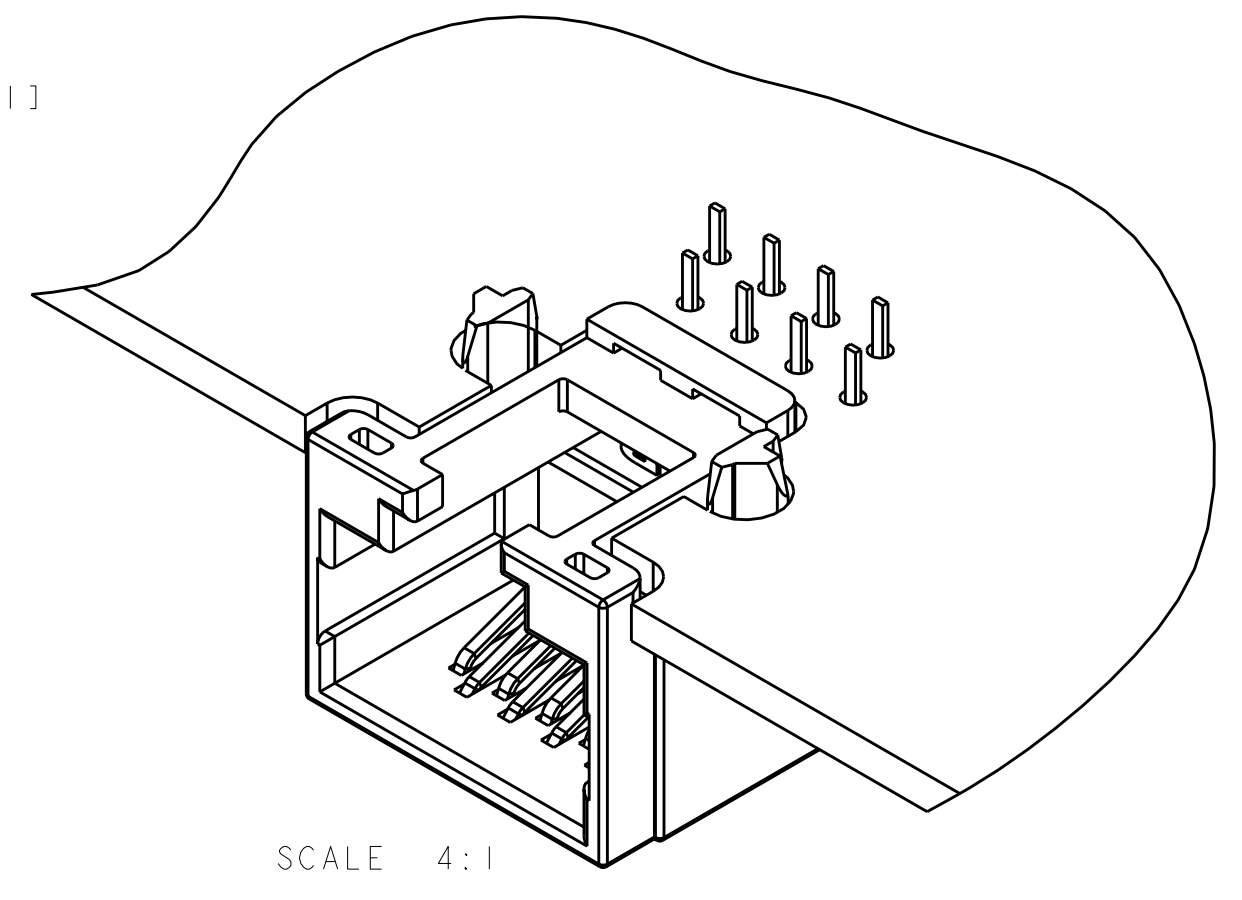
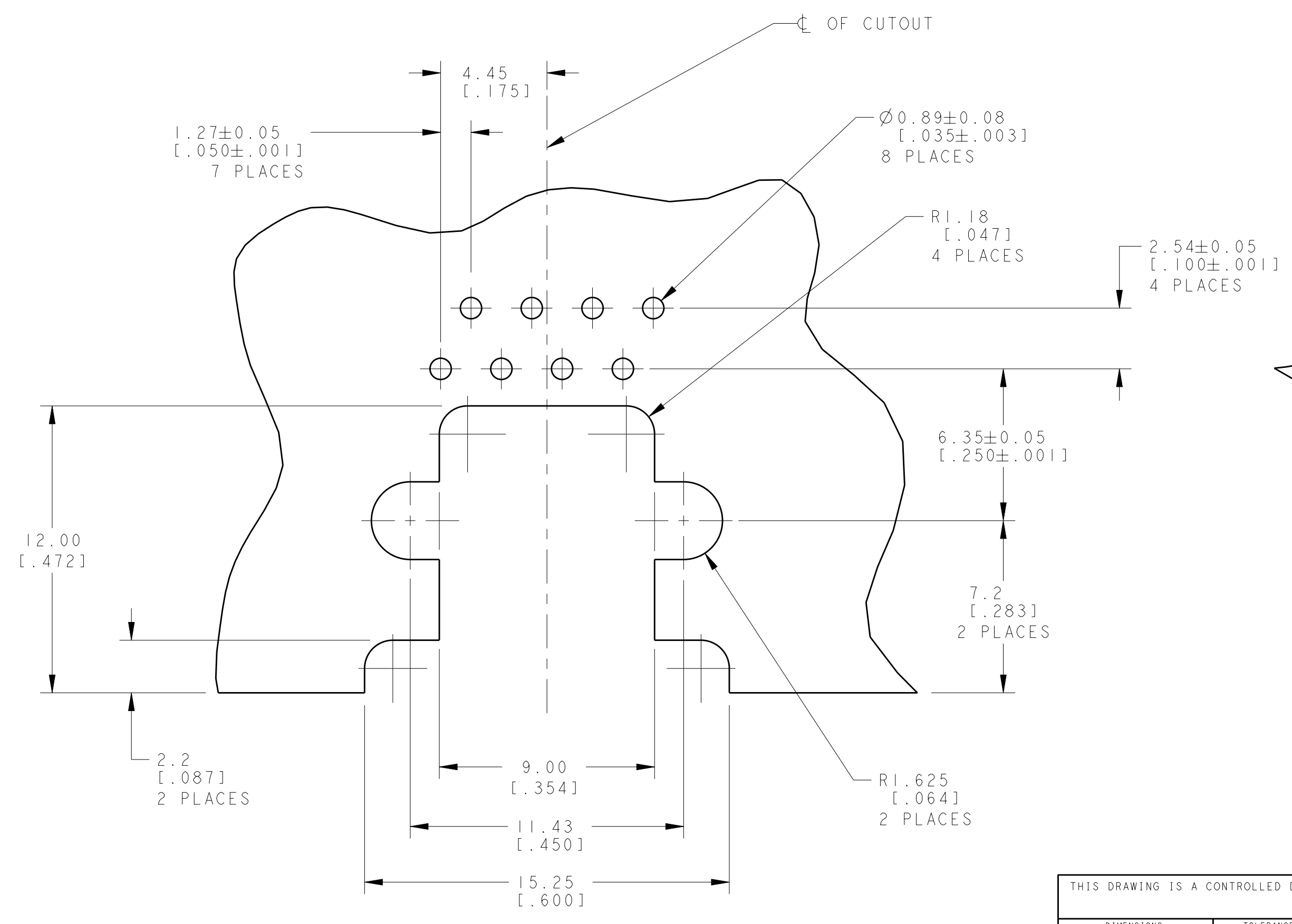
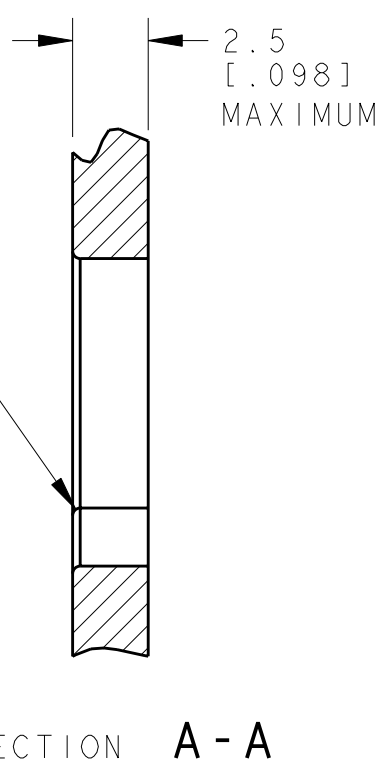
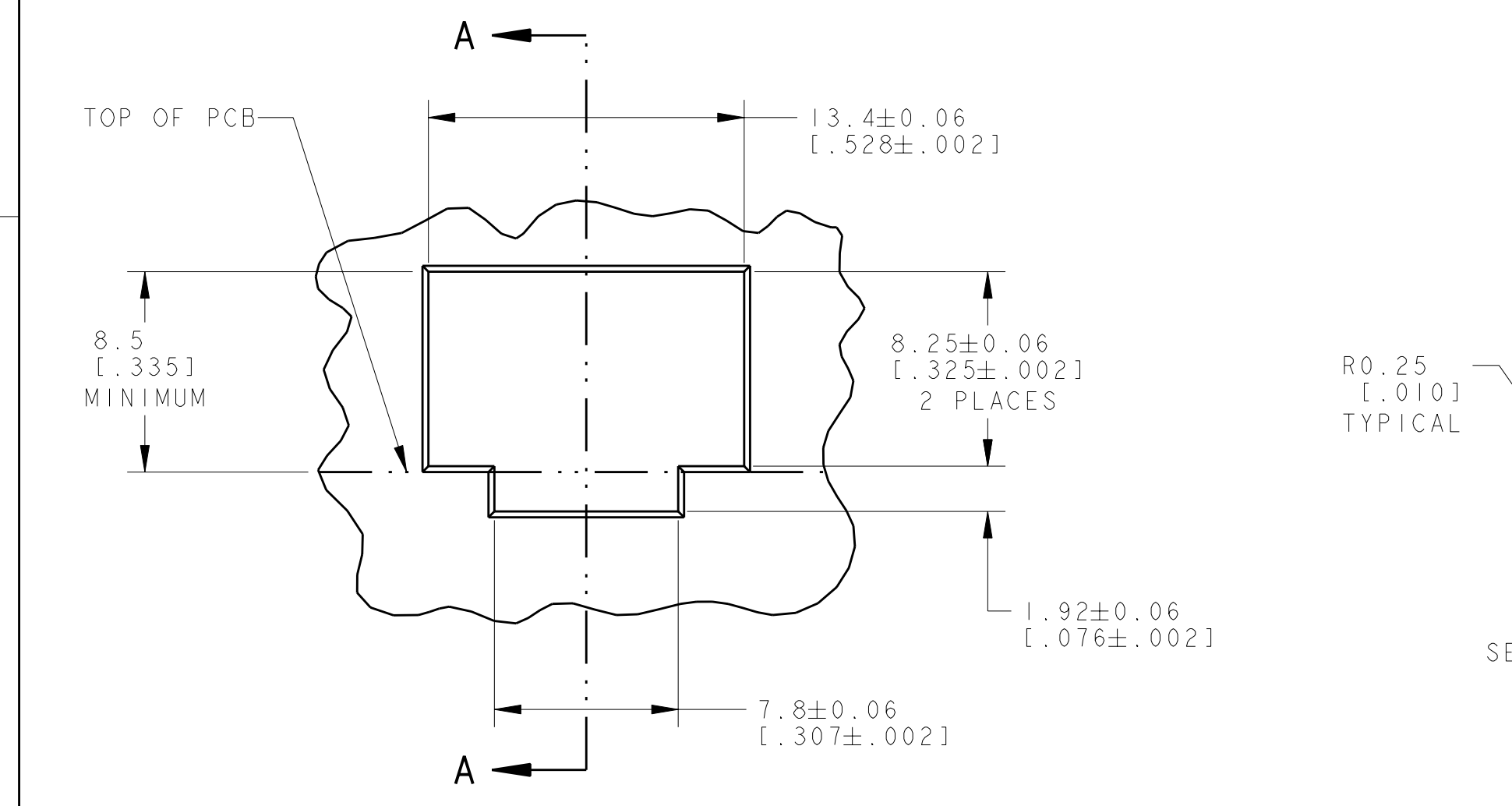
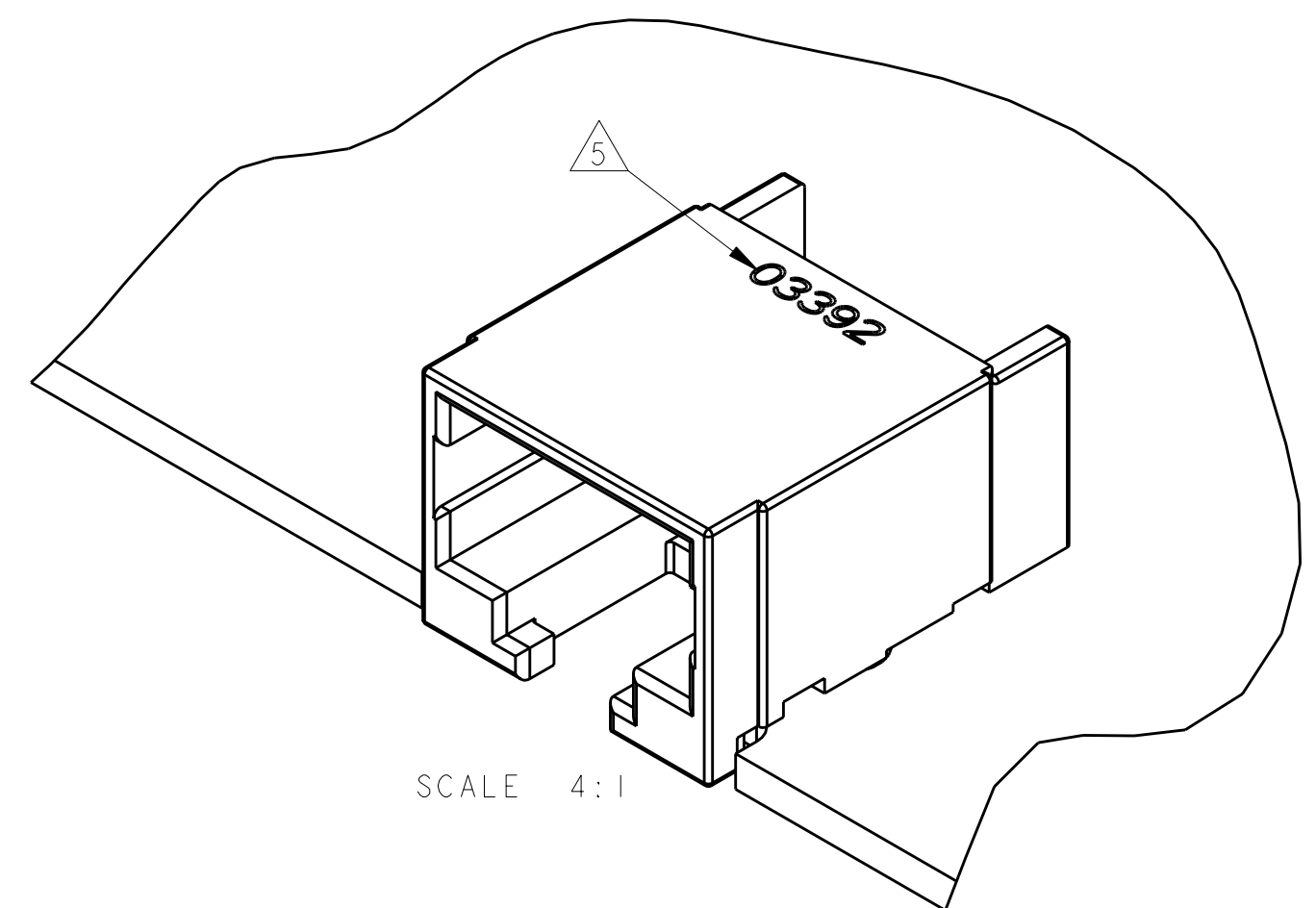
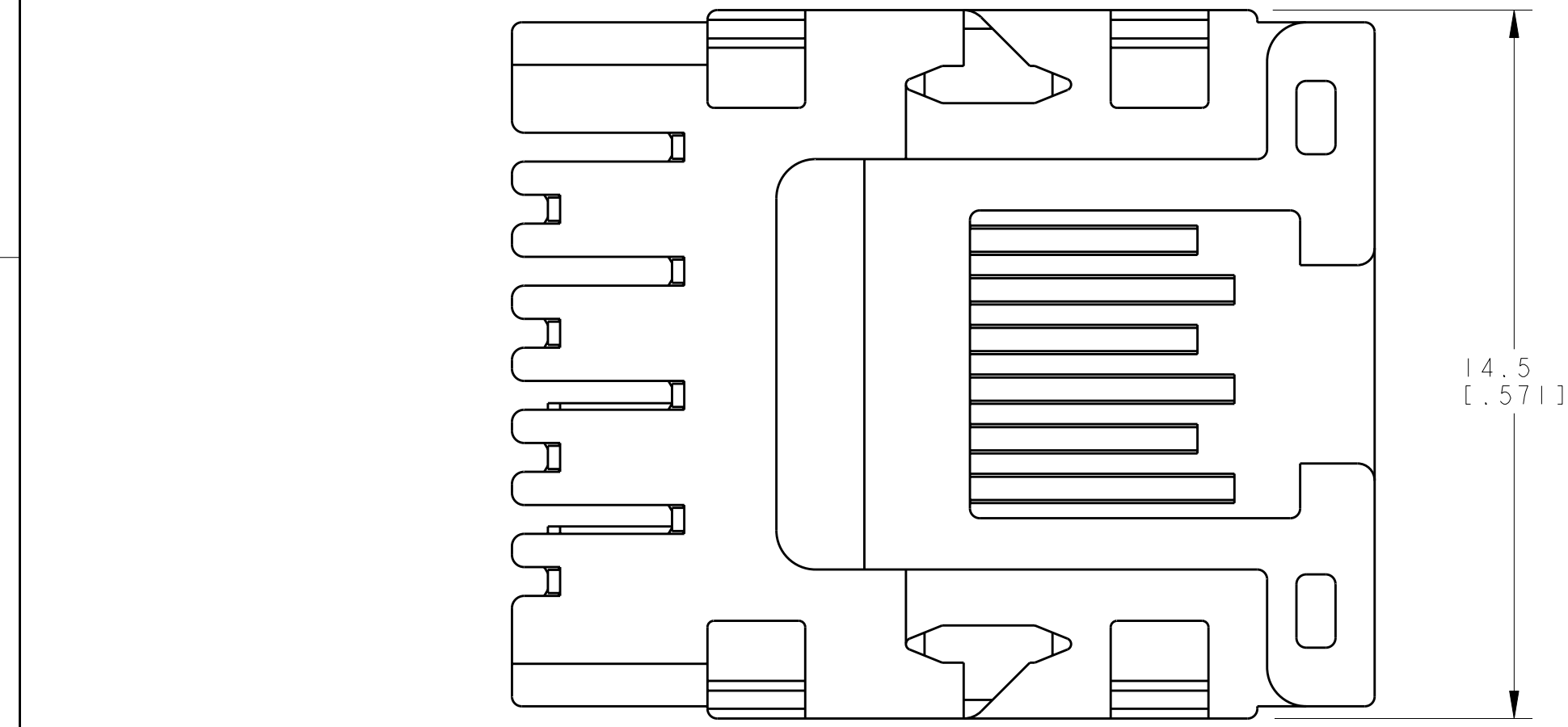


LOC	DIST	REV	DATE	BY	CHK	APPV
AA	22	K1	18MAY2011	RK	HMR	



- 1 MATERIAL: HOUSING - HIGH TEMPERATURE NYLON, BLACK, UL 94V-0, IR REFLOW SOLDERING PROCESS COMPATIBLE
 TERMINALS - 0.25[.010] THICK PHOSPHOR BRONZE PLATED WITH 3.81µm[.000150] MINIMUM THICK BRIGHT TIN-LEAD IN SOLDER AREA, 1.27µm[.000050] MINIMUM GOLD IN LOCALIZED PLATE AREA. ENTIRE TERMINAL PLATED WITH 1.27µm[.000050] MINIMUM THICK NICKEL.
- 2 JACK CAVITY CONFORMS TO FCC RULES AND REGULATIONS PART 68, SUBPART F.
- 3 THIS DIMENSION REPRESENTS THE TOTAL HEIGHT OF THE CONNECTOR FROM THE TOP OF THE PC BOARD.
- 4. PACKAGED 66 ASSEMBLIES PER PVC TRAY, 396 PER BOX.
- 5 MANUFACTURING DATE CODE:
 ORIENTED AND LOCATED APPROXIMATELY AS SHOWN. BLACK INK STAMP. TEXT HEIGHT APPROXIMATELY 2MM.
 FIRST 2 DIGITS = LAST 2 DIGITS OF YEAR
 NEXT 2 DIGITS = MANUFACTURING WORK WEEK
 LAST DIGIT = DAY OF WEEK WITH SUNDAY = 1
- 6 MATERIAL: HOUSING - HIGH TEMPERATURE NYLON, BLACK, UL 94V-0, IR REFLOW SOLDERING PROCESS COMPATIBLE
 TERMINALS - 0.25[.010] THICK PHOSPHOR BRONZE PLATED WITH 3.81µm[.000150] MINIMUM THICK MATTE TIN IN SOLDER AREA, 1.27µm[.000050] MINIMUM GOLD IN LOCALIZED PLATE AREA. ENTIRE TERMINAL PLATED WITH 1.27µm[.000050] MINIMUM THICK NICKEL.



6	1116504-2
1	1116504-1
MATERIAL / FINISH	PART NUMBER

THIS DRAWING IS A CONTROLLED DOCUMENT.		DWN	T. SPRINKLE	28JAN99
DIMENSIONS: mm [INCHES]		CHK	D. KEMPKA	28JAN99
TOLERANCES UNLESS OTHERWISE SPECIFIED:		APPV	D. KEMPKA	28JAN99
9 PLC	±	NAME		
3 PLC	±0.13(.005)	PRODUCT SPEC		
5 PLC	±	108-1163		
4 PLC	±	APPLICATION SPEC		
ANGLES	±	114-2048		
MATERIAL	SEE P/N TABLE	FINISH	SEE P/N TABLE	WEIGHT
CUSTOMER DRAWING		3.49 grams		A100779
SCALE 8:1		SHEET 1 OF 1		REV. K1

OBsolete



MODULAR JACK ASSEMBLY, 8 POSITION, 10mm

1116504