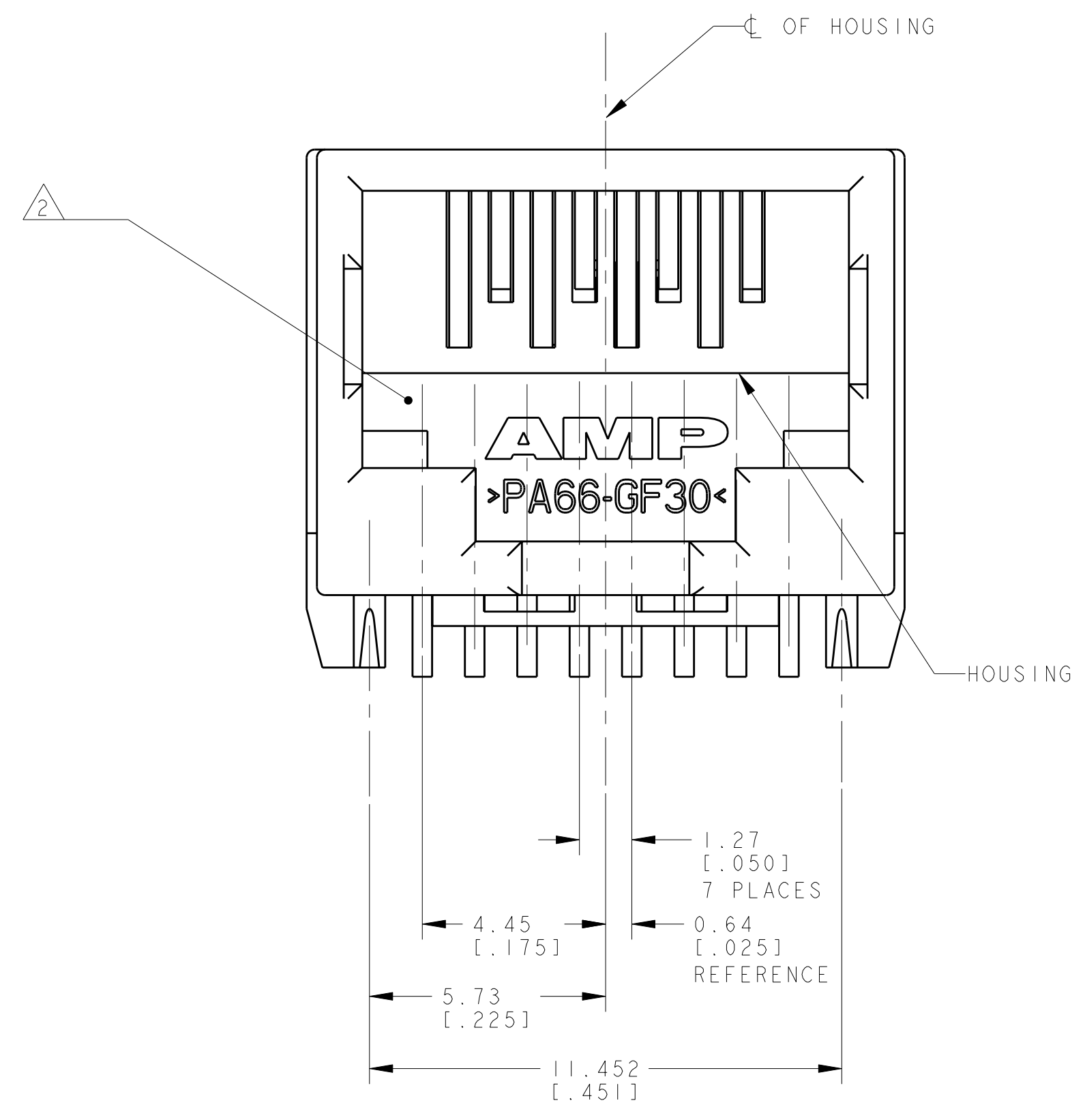
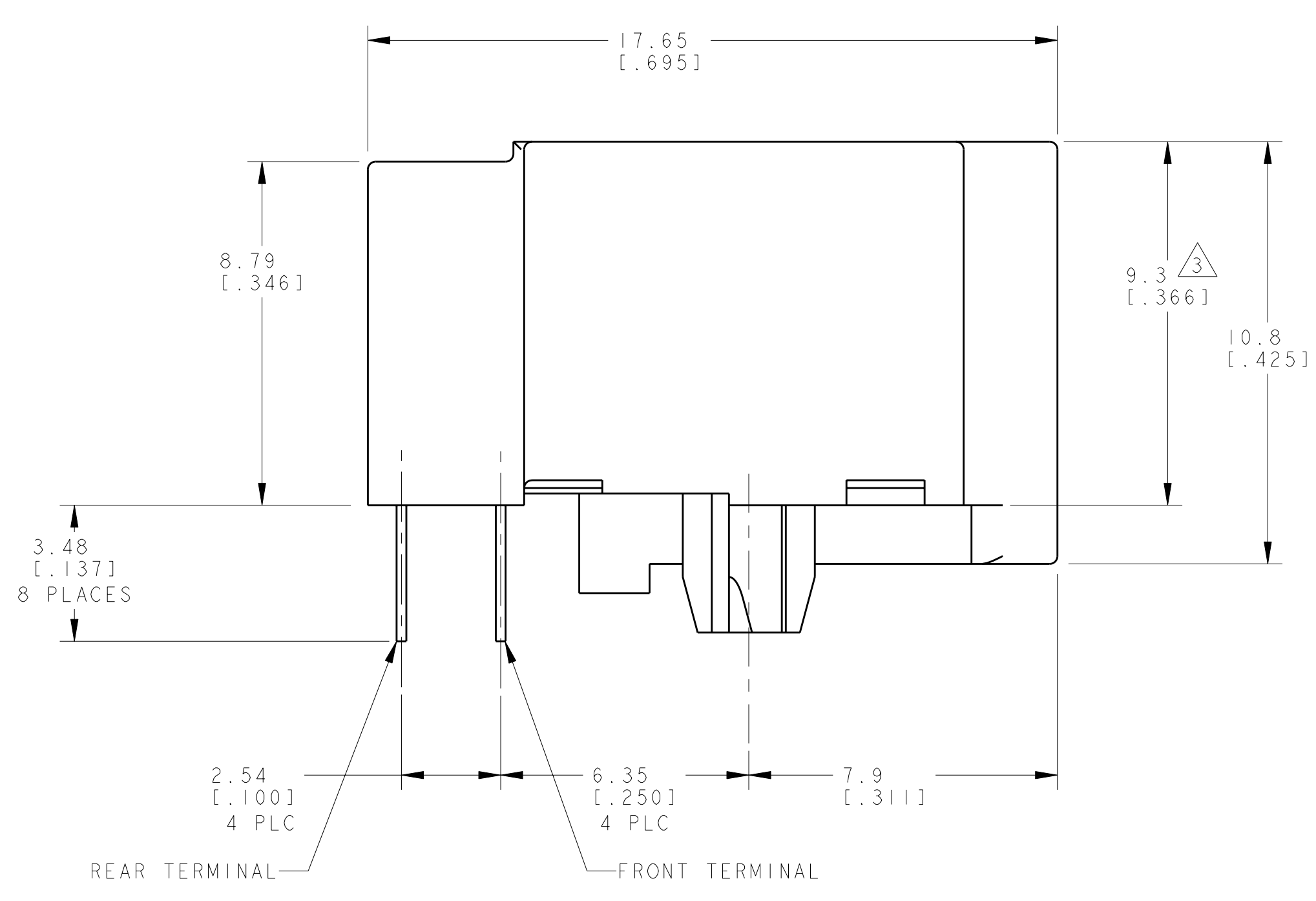
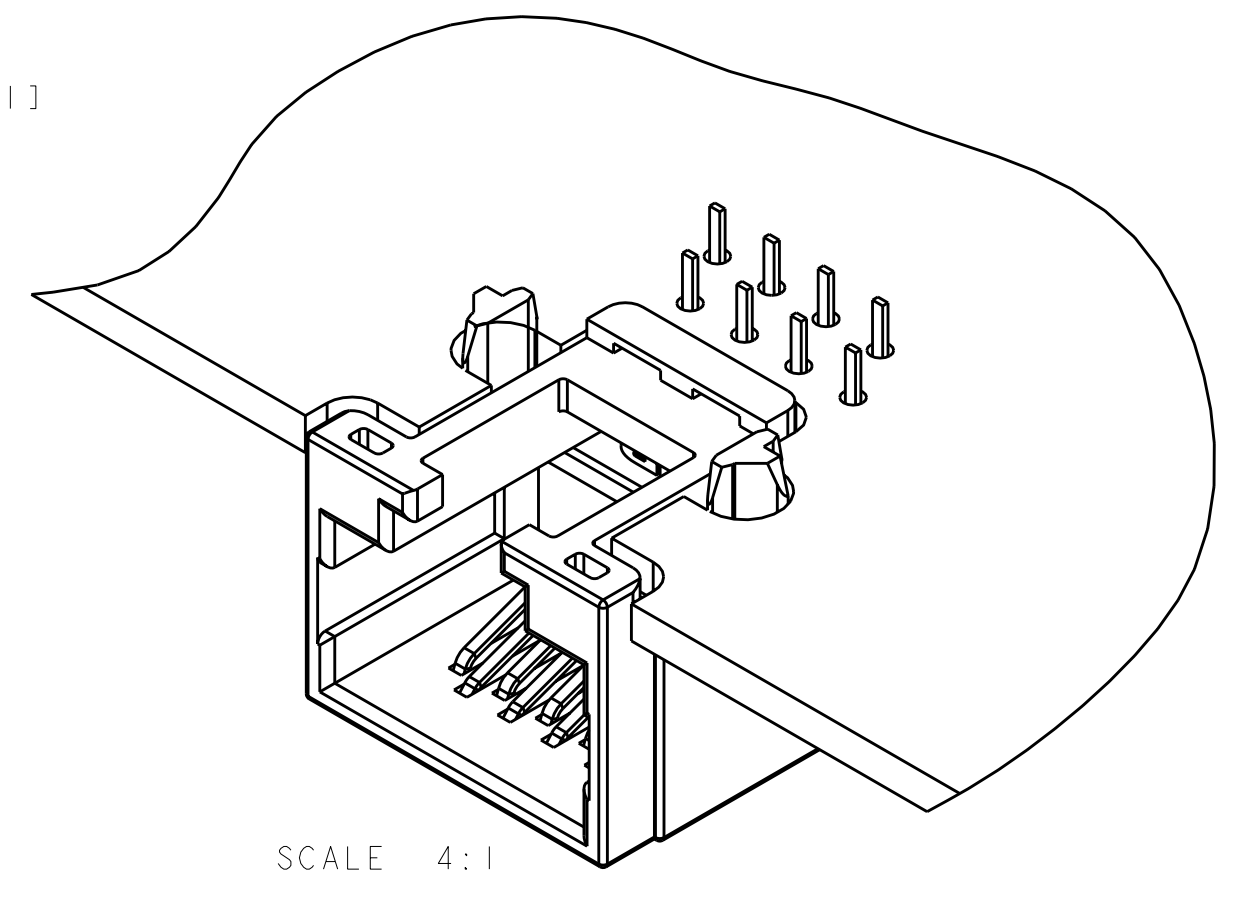
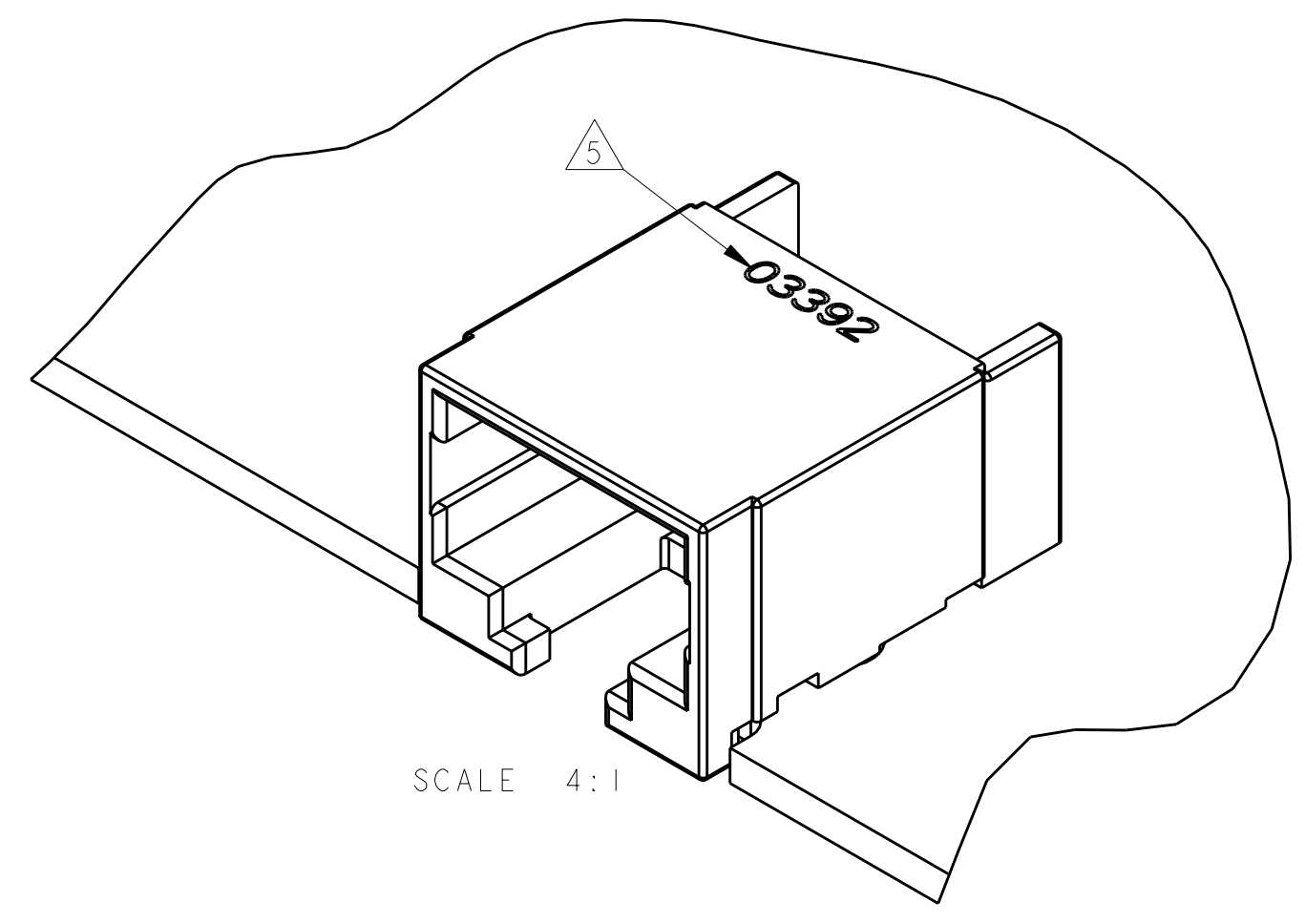
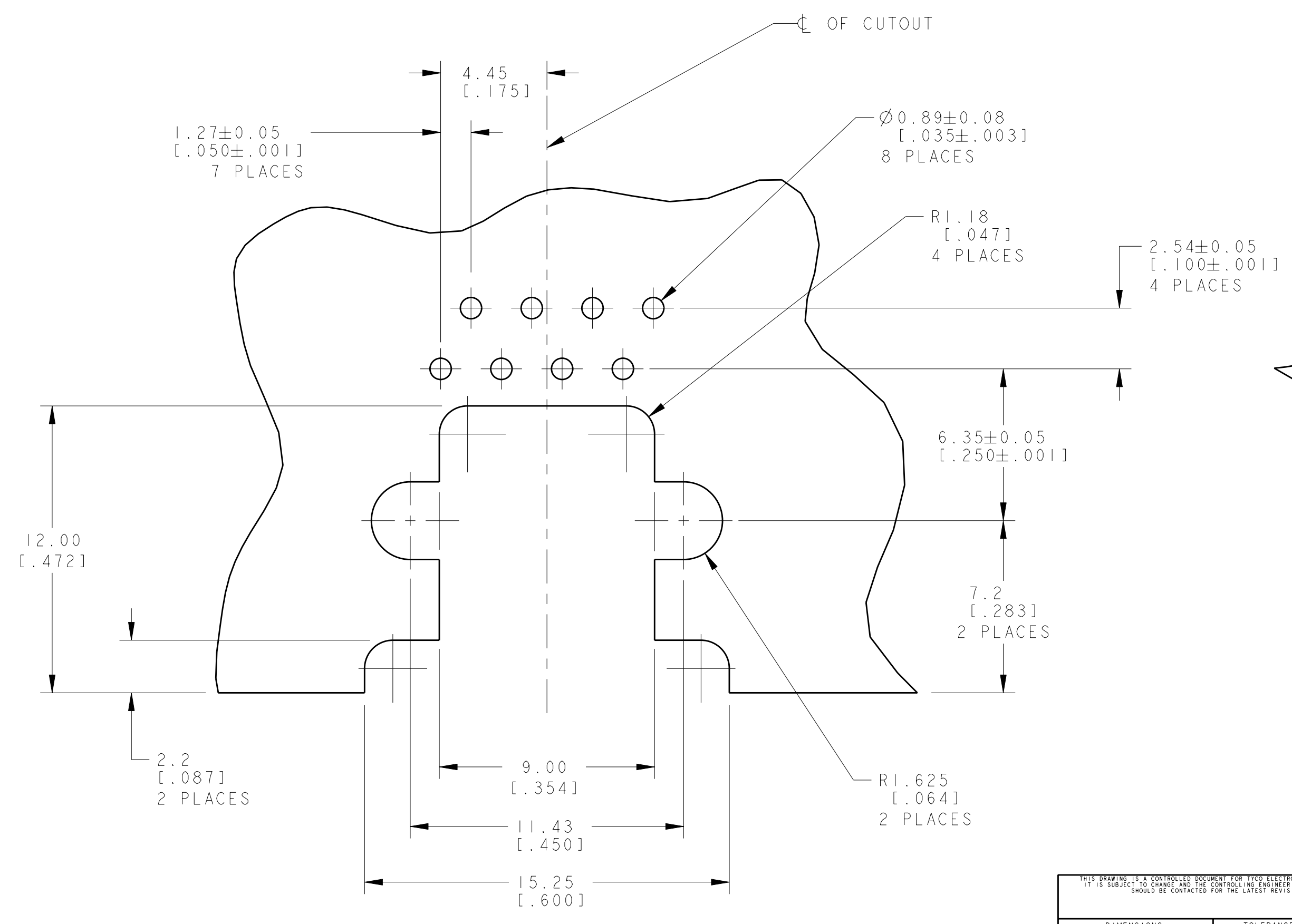
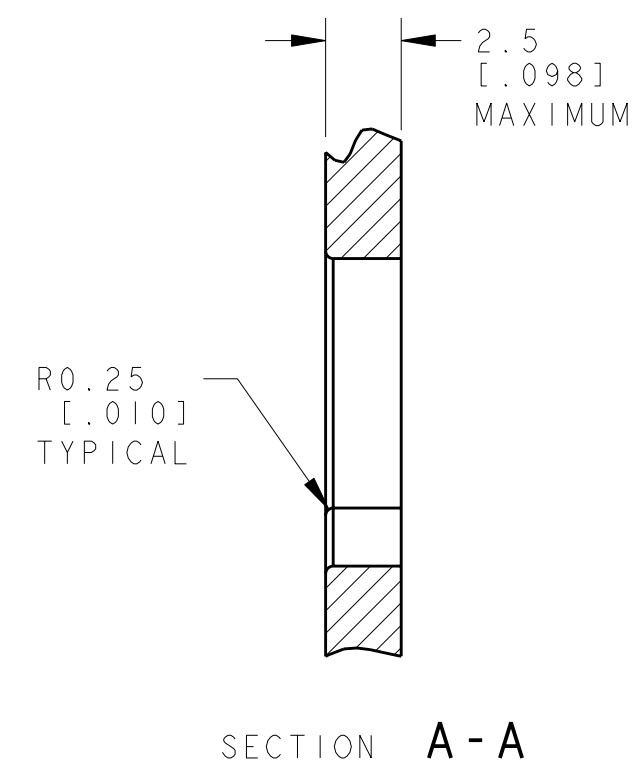
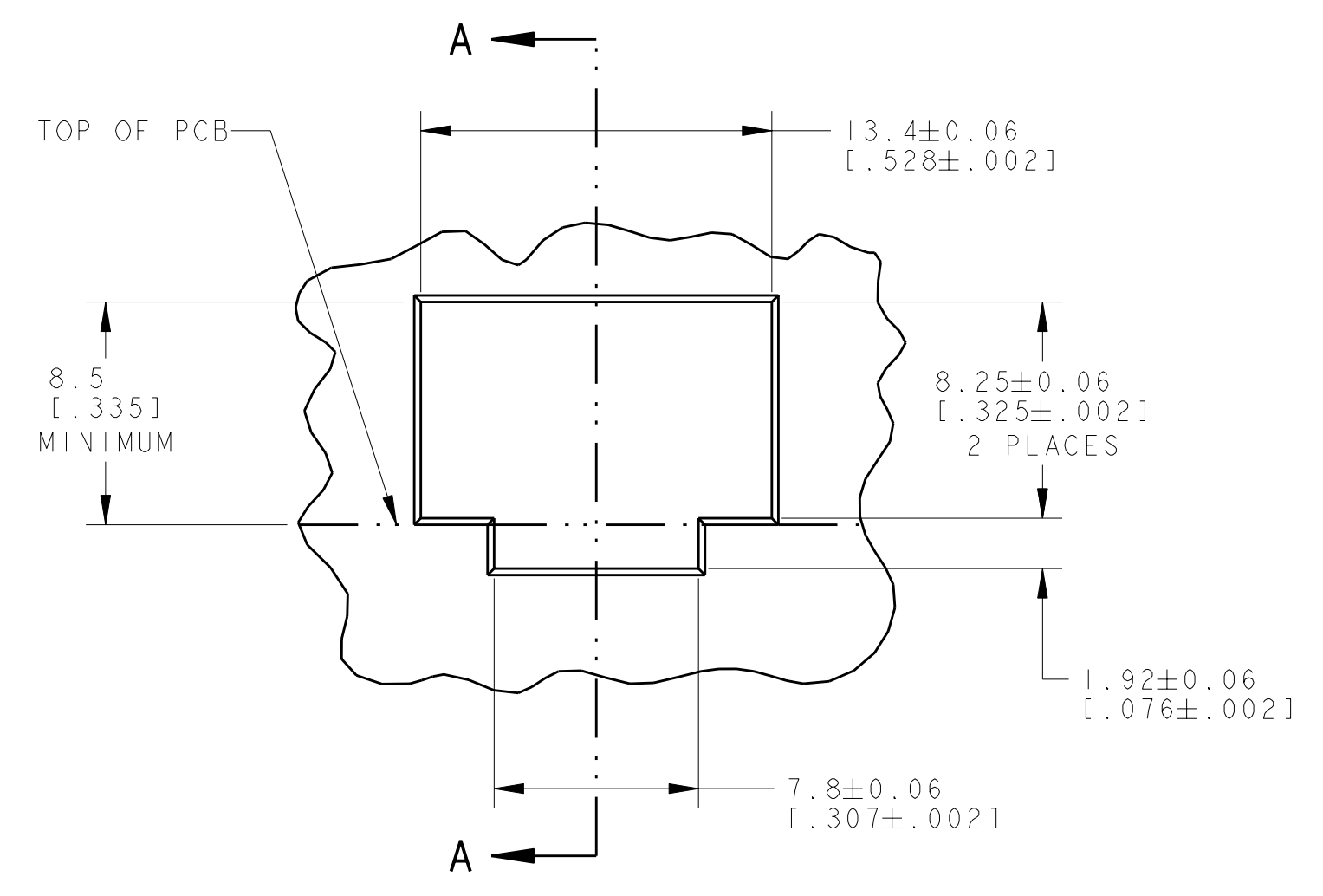
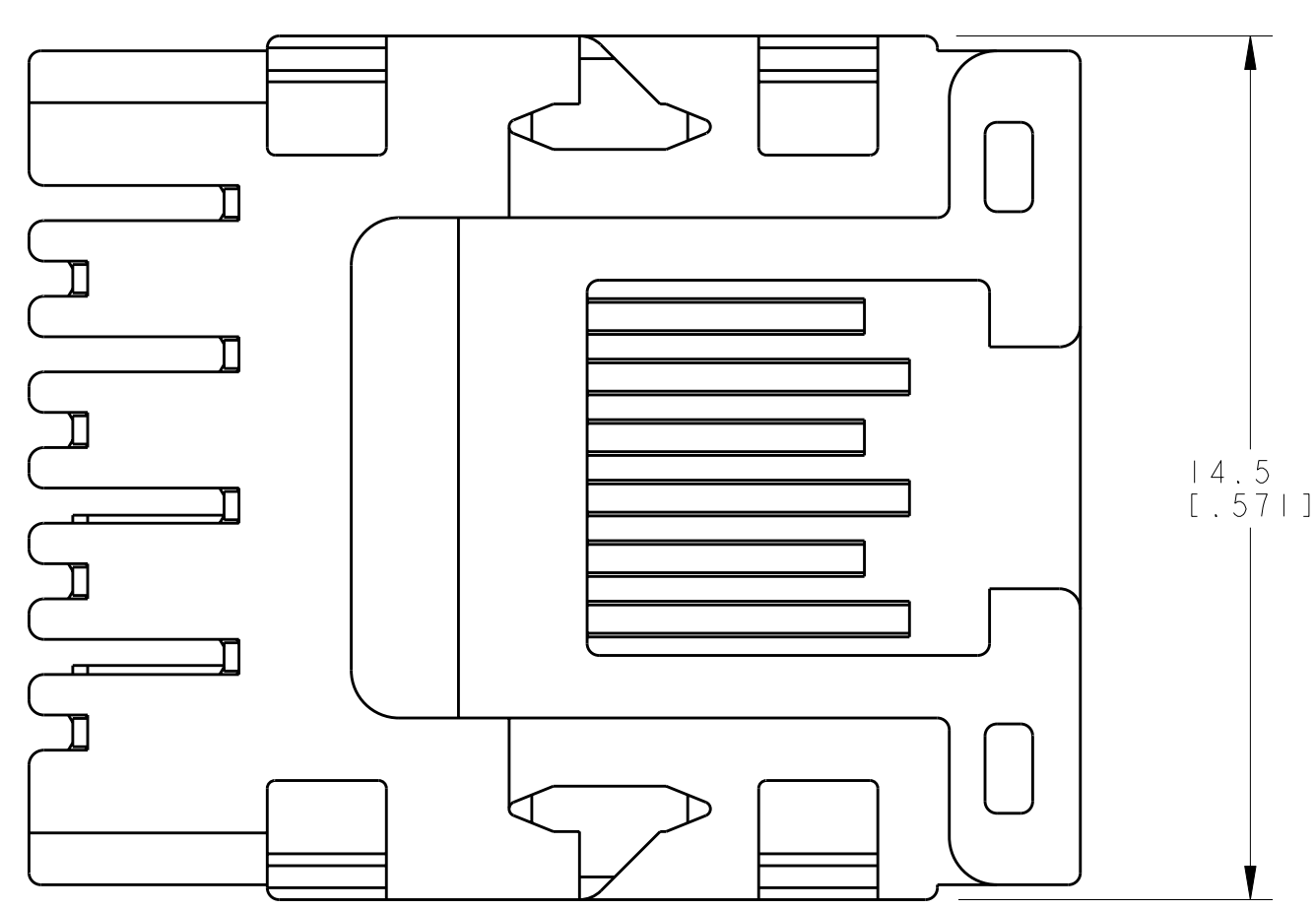


LOC	DIST	REV	DATE	BY	CHK	APPV
AA	22					

REVISONS		DATE	BY	CHK	APPV
G	ECOS11-0147-03	14SEP2004	LAM	BK	
H	ECOS11-0025-04	21SEP2004	LAM	BK	
J	ECO-06-026644	29NOV2006	LAM	JW	



- 1 MATERIAL: HOUSING - HIGH TEMPERATURE NYLON, BLACK, UL 94V-0, IR REFLOW SOLDERING PROCESS COMPATIBLE
 TERMINALS - 0.25[.010] THICK PHOSPHOR BRONZE PLATED WITH 3.81µm[.000150] MINIMUM THICK BRIGHT TIN-LEAD IN SOLDER AREA, 1.27µm[.000050] MINIMUM GOLD IN LOCALIZED PLATE AREA. ENTIRE TERMINAL PLATED WITH 1.27µm[.000050] MINIMUM THICK NICKEL.
- 2 JACK CAVITY CONFORMS TO FCC RULES AND REGULATIONS PART 68, SUBPART F.
- 3 THIS DIMENSION REPRESENTS THE TOTAL HEIGHT OF THE CONNECTOR FROM THE TOP OF THE PC BOARD.
- 4. PACKAGED 66 ASSEMBLIES PER PVC TRAY, 396 PER BOX.
- 5 MANUFACTURING DATE CODE:
 ORIENTED AND LOCATED APPROXIMATELY AS SHOWN. BLACK INK STAMP. TEXT HEIGHT APPROXIMATELY 2MM.
 FIRST 2 DIGITS = LAST 2 DIGITS OF YEAR
 NEXT 2 DIGITS = MANUFACTURING WORK WEEK
 LAST DIGIT = DAY OF WEEK WITH SUNDAY = 1
- 6 MATERIAL: HOUSING - HIGH TEMPERATURE NYLON, BLACK, UL 94V-0, IR REFLOW SOLDERING PROCESS COMPATIBLE
 TERMINALS - 0.25[.010] THICK PHOSPHOR BRONZE PLATED WITH 3.81µm[.000150] MINIMUM THICK MATTE TIN IN SOLDER AREA, 1.27µm[.000050] MINIMUM GOLD IN LOCALIZED PLATE AREA. ENTIRE TERMINAL PLATED WITH 1.27µm[.000050] MINIMUM THICK NICKEL.



6	1116504-2
1	1116504-1
MATERIAL / FINISH	PART NUMBER

DIMENSIONS: mm [INCHES] TOLERANCES UNLESS OTHERWISE SPECIFIED: 9 PLC ± 5 PLC ±0.13(.005) 4 PLC ± ANGLES ±		DWN T. SPRINKLE 28JAN99 CHK D. KEMPKA 28JAN99 APVD D. KEMPKA 28JAN99 PRODUCT SPEC 108-1163 APPLICATION SPEC 114-2048 WEIGHT 3.49 grams CUSTOMER DRAWING	AMP Incorporated Harrisburg, PA 17105-3608 MODULAR JACK ASSEMBLY, 8 POSITION, 10mm SIZE CAGE CODE DRAWING NO. 00779 RESTRICTED TO
SUGGESTED PRINTED CIRCUIT BOARD LAYOUT COMPONENT SIDE SCALE 6:1		AMP Incorporated Harrisburg, PA 17105-3608 MODULAR JACK ASSEMBLY, 8 POSITION, 10mm SIZE CAGE CODE DRAWING NO. 00779 RESTRICTED TO	