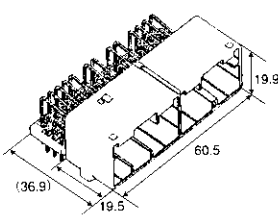
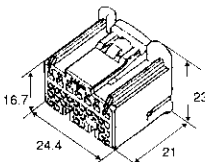
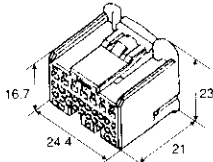
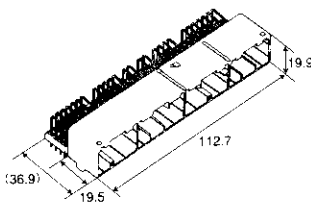
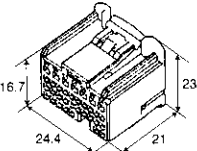
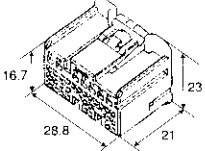
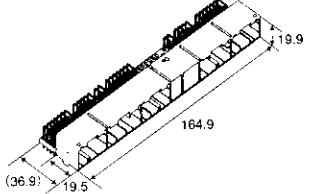
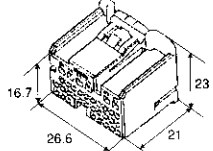
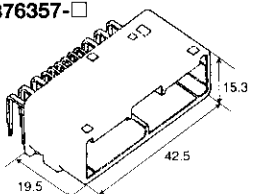
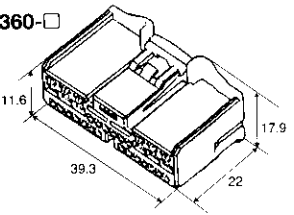
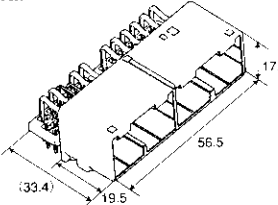
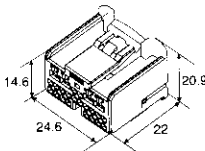
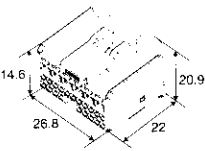
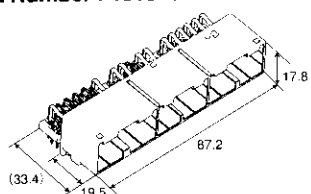
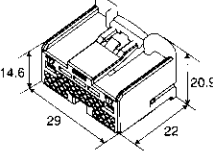


.025 (0.64) series connectors Wire to Board Applications

CAP		Plug	
70 Pos.	Part Number : 1473193-□ 	Applicable plug Part No. 1123340-□ (35Pos.B) 1123338-□ (35Pos.A)	31Pos. Part Number : 1123341-□ 32Pos. Part Number : 1123339-□  
135 Pos.	Part Number : 1376430-□ 	Applicable plug Part No. 1123341-□ (31Pos.) 1123340-□ (35Pos.B) 1123338-□ (35Pos.A) 1123337-□ (34Pos.)	34Pos. Part Number : 1123337-□ 35Pos.A Part Number : 1123338-□  
167 Pos.	Part Number : 1318813-□ 	Applicable plug Part No. 1123341-□ (31Pos.) 1123340-□ (35Pos.B) 1123339-□ (32Pos.) 1123338-□ (35Pos.A) 1123337-□ (34Pos.)	35Pos.B Part Number : 1123340-□ 

Wire to Board Applications .025 (0.64)/.0.90II (2.3)

CAP		Plug	
Part Number : 1376357-□ 	Applicable plug Part No. 1376360-□	26 Pos.	Part Number : 1376360-□ 
50 Pos.	Part Number : 1318750-□ 	Applicable plug Part No. 1318757-□ (26Pos.) 1318756-□ (24Pos.)	24Pos. Part Number : 1318756-□ 26Pos. Part Number : 1318757-□  
80 Pos.	Part Number : 1318751-□ 	Applicable plug Part No. 1318757-□ (26Pos.) 1318756-□ (24Pos.) 1318758-□ (30Pos.)	30Pos. Part Number : 1318758-□ 

*The material is PBT for caps and crimping contact plug housings and PBT with glass fibers for IDC contact housing.
 *The figures in □ vary according to housing color, etc.