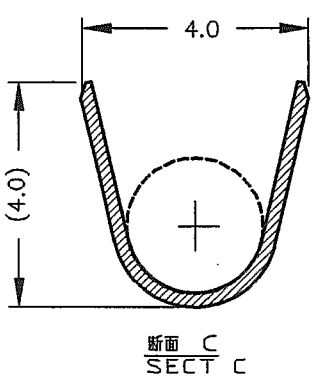
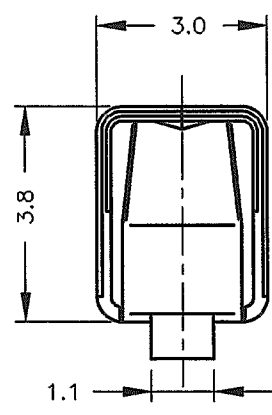
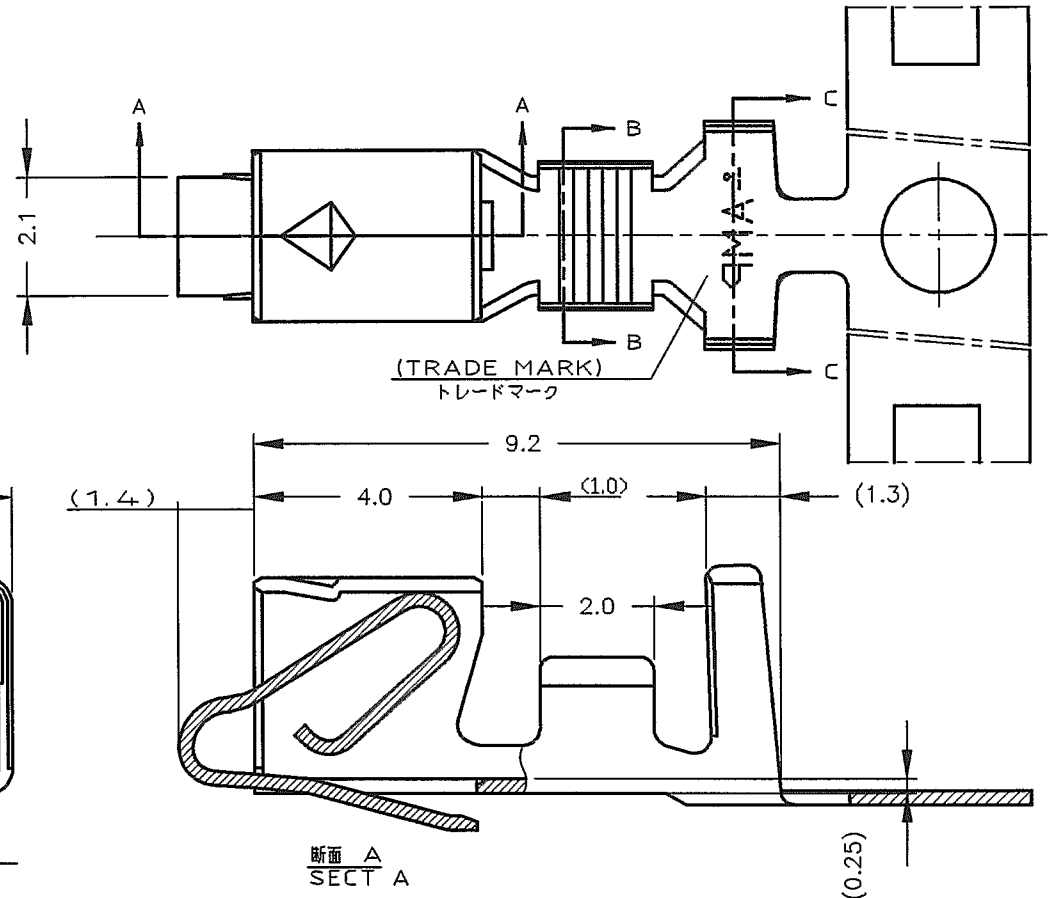


LOC	DIST	REVISIONS						
J	//	P	LTR	DESCRIPTION	ECN	DATE	DWN	APVD
		0		作成 (RELEASED)	FJ00-1181-98	24 JUN '98	N.Y	M.S
		A		変更 (REVISED)	FJ00-1837-98	15 OCT '98	N.Y	M.S
		B		変更 (REVISED)	FJ00-1371-99	15 NOV '99	N.Y	M.S
		C		変更 (REVISED)	FJ00-1400-00	26 SEP '00	N.Y	M.S
		D		変更 (REVISED)	FJ00-0737-01	10 APR '01	T.S	S.M
		D1		変更 (REVISED)	FJD0-0110-03	19.APR.03	T.S	S.M



#	PRE TIN BRASS 無鉛黄銅	1123721-2
1318912-1	PRE TIN PHOS BRO 無鉛黄銅 リン青銅	1123721-1
パラ端子型番	材料	型番
(LOOSE PIECE CONT P/N)(MATERIAL) (Part Number)		

WIRE RANGE 結合電線断面積	0.3~0.89mm ² (AWG#22~18)	INSULATION DIA 被覆外径	φ1.7~3.0mm
-----------------------	-------------------------------------	------------------------	------------

THIS DRAWING IS UNPUBLISHED. ALL RIGHTS RESERVED. BY AMP INCORPORATED. JBLICATION RELEASED FOR ED. COPYRIGHT 19

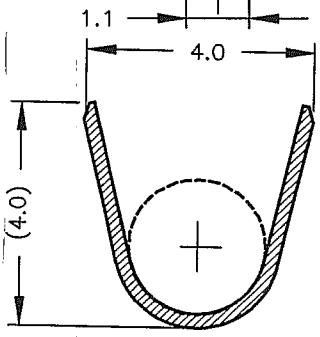
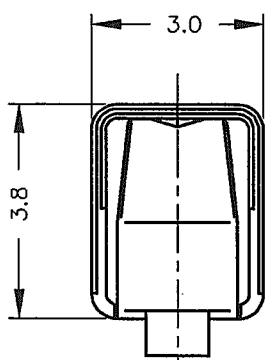
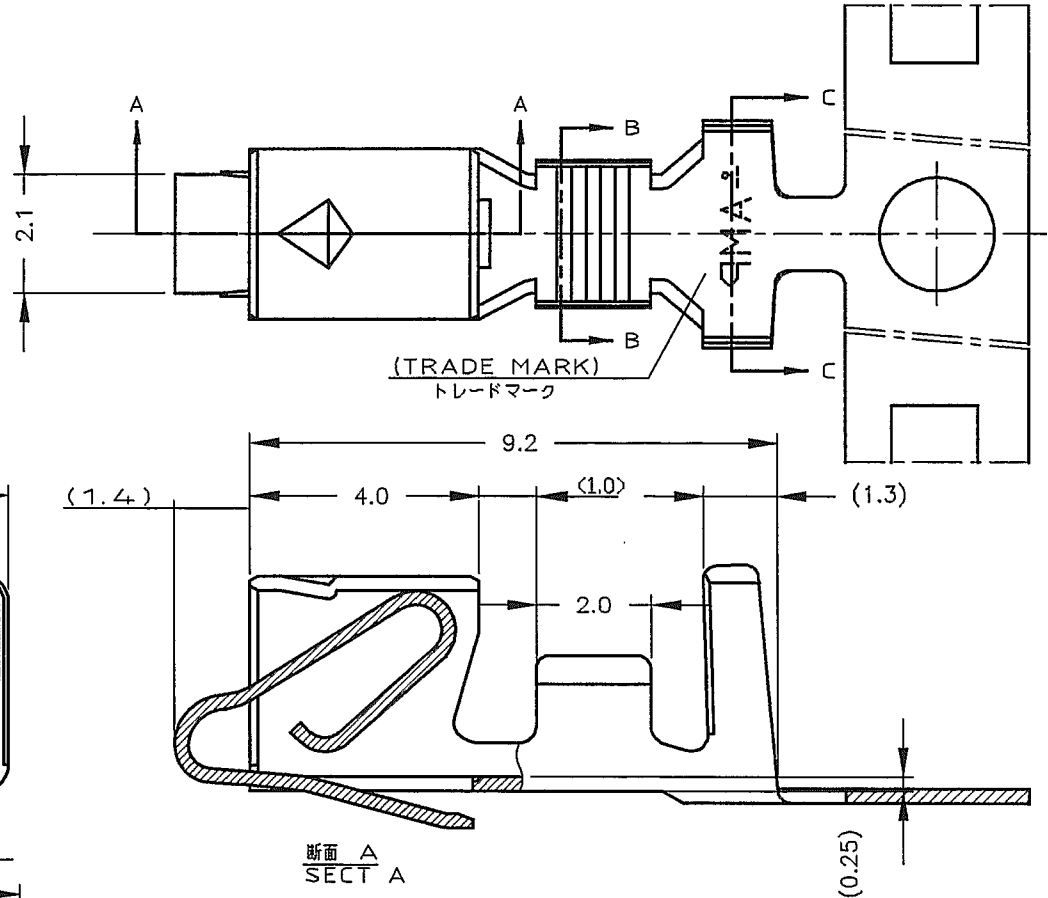
DIMENSIONS: 単位: 概 mm	DWN 24 JUN '98 N.YAMASAKI
TOLERANCES UNLESS OTHERWISE SPECIFIED:	CHK 24 JUN '98 M.SHINDO
一般公差 5 : ±0.3 >5 : ±0.4	APVD 24 JUN '98 M.SHINDO
PRODUCT SPEC 製品規格	108-5609
APPLICATION SPEC 取付適用規格	114-5253
WEIGHT	//

MATERIAL 材料	表参照 (SEE LABEL)	FINISH 仕上	//
tyco Electronics			
Tyco Electronics AMP K.K. Kawasaki, Japan			
NAME 名称	ECONOMY POWER(EP) CONN. REC CONT エコノミーパワー(EP) コネクタ リセコンタクト		
SIZE	CAGE CODE	DRAWING NO	RESTRICTED TO
A4	00779	C-1123721	D1

CUSTOMER DRAWING		SCALE 尺度	//	SHEET 1	OF 2	REV D1
------------------	--	-------------	----	------------	---------	-----------

LOC J	DIST -	REVISIONS			
P	LTR	DESCRIPTION	DATE	DWN	APVD
		SEE SHEET 1			

-3:本図
-3:AS SHOWN



断面 A
SECT A

断面 C
SECT C

断面 B
SECT B

注記
△ 1123721-3と 1318912-3に適用する

NOTE
△ APPLY A RULE TO 1123721-3 AND 1318912-3

1473063-1, 1473063-2 1473393-1, 1473393-2	1318912-3	PHOS-PHO BRONS (Au PL. CONT.) リン青銅(コンタクト部金メッキ)	1123721-3
適合ハウジング キット SUITED HOUSING KIT	バラ端子型番 LOOSE PIECE CONT. P/N	材料 MATERIAL	型番 PART NUMBER

WIRE RANGE 絶縁電線断面積 0.53-1.37mm ² (AWG#20-16) △ 1	INSULATION DIA 被覆外径 φ1.8-2.8mm △ 1
MATERIAL SEE TABLE	FINISH -

DIMENSIONS:
mm

TOLERANCES UNLESS OTHERWISE SPECIFIED:

0 PLC	±
1 PLC	±
2 PLC	±
3 PLC	±
4 PLC	±
ANGLES	±

DWN	-
CHK	-
APVD	-
PRODUCT SPEC	108-5743 △ 1
APPLICATION SPEC	114-5303 △ 1
WEIGHT	-

tyco Electronics		Tyco Electronics AMP K.K. Kawasaki, Japan	
NAME ECONOMY POWER(EP) CONN. REC. CONT. エコノミーパワー(EP) コネクタ リセコンタクト			
SIZE	CAGE CODE	DRAWING NO	RESTRICTED TO
A4	00779	C=1123721	-

2003 RELEASED FOR PUBLICATION

THIS DRAWING IS UNPUBLISHED.

© COPYRIGHT 2003 BY TYCO ELECTRONICS CORPORATION. ALL RIGHTS RESERVED.