

4

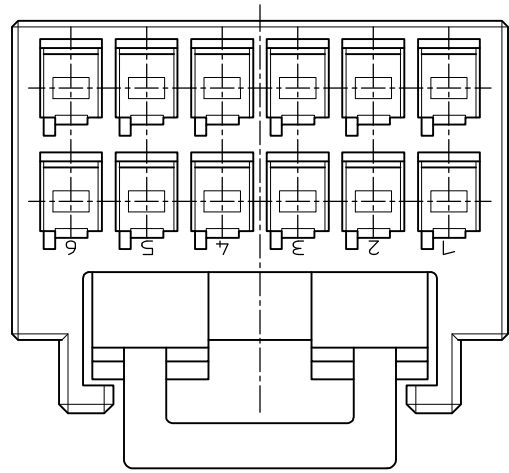
3

2

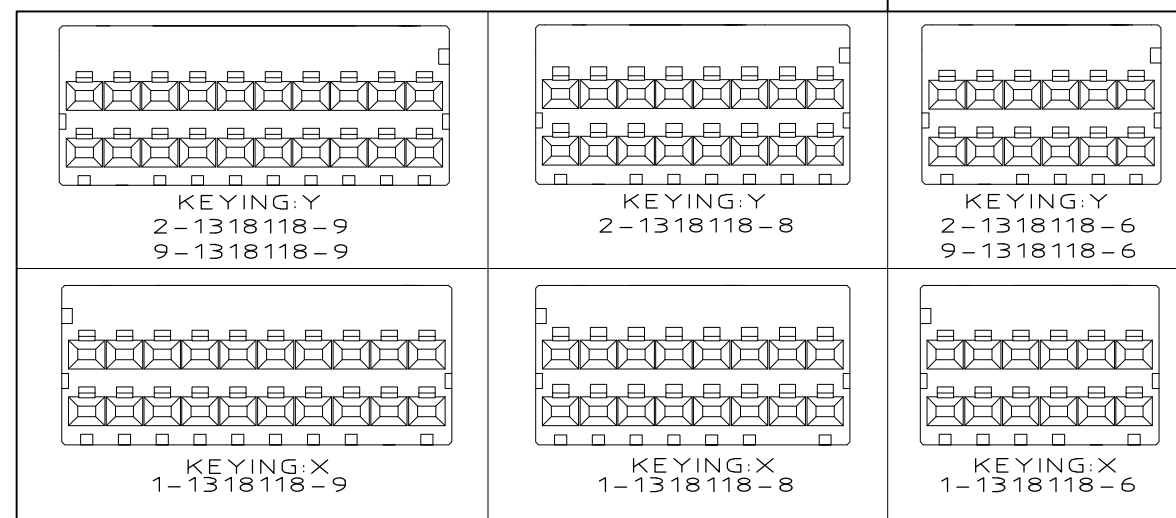
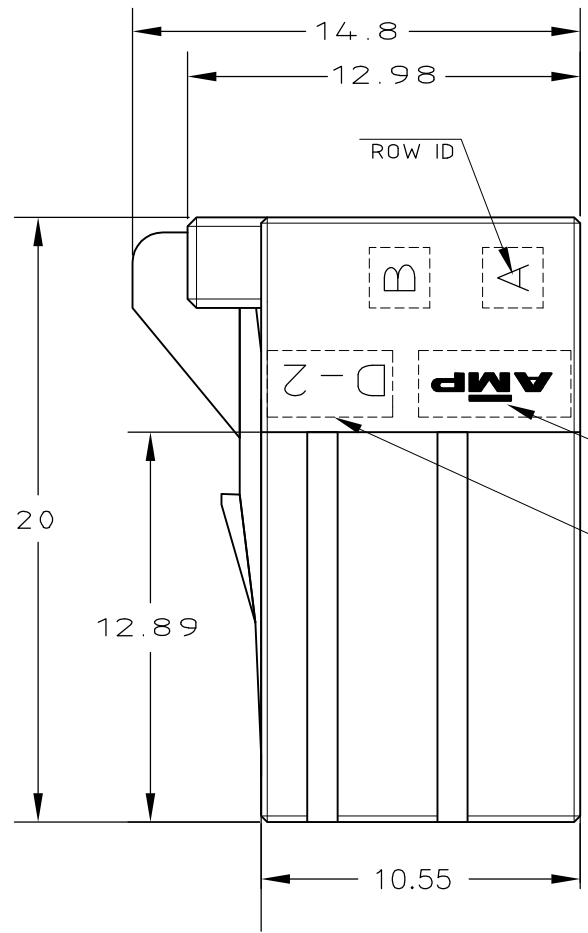
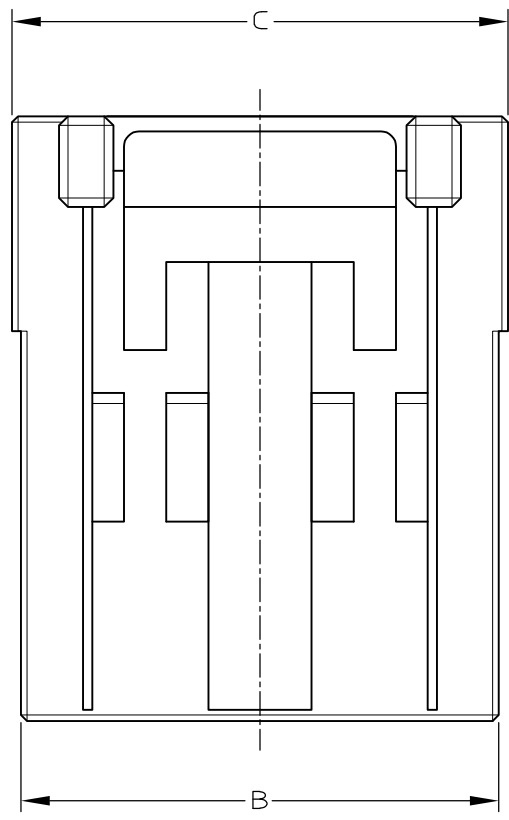
1

THIS DRAWING IS UNPUBLISHED. RELEASED FOR PUBLICATION
 © COPYRIGHT 2011 APR BY Tyco Electronics Japan G.K. ALL RIGHTS RESERVED.

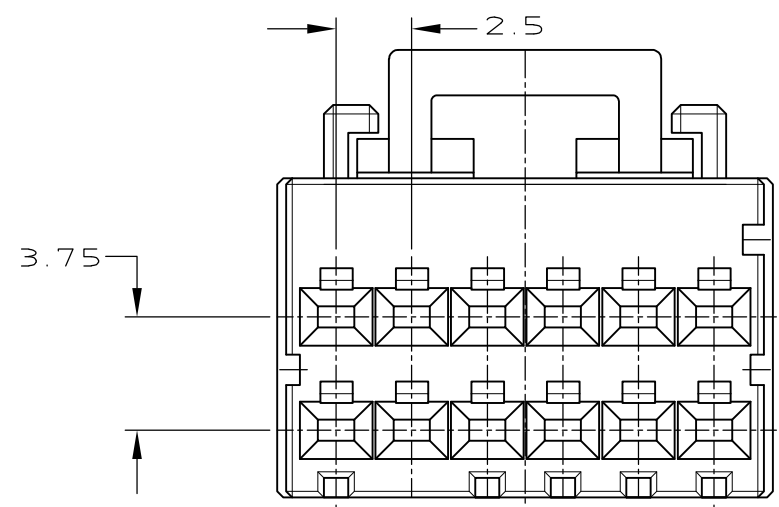
LOC	DIST	REVISIONS			
P	LTR	DESCRIPTION	DATE	DWN	APVD
J		D REVISED	25 APR 11	MM	NY



NOTES
 1 MATERIAL: HOUSING: GLASS FILLED THERMO PLASTIC
 , POLYESTER(94V-0),
 COLOR: 1- / 2- : BLACK
 : 9- : NATURAL
 TO COAT ALL SURFACE OF HOUSING WITH TEFLON



OBSOLETE	FINISH	NET WEIGHT(g)	C	B	A	N	POS	PART NUMBER
1	2	5.58	26.4	25.8	22.5	9	20	5-1318118-9
-	-	5.58	26.4	25.8	22.5	9	20	9-1318118-9 2-1318118-9
-	-	5.58	26.4	25.8	22.5	9	20	1-1318118-9
-	-	4.69	21.4	20.8	17.5	7	16	2-1318118-8
-	-	4.69	21.4	20.8	17.5	7	16	1-1318118-8
1	2	3.8	16.4	15.8	12.5	5	12	5-1318118-6
-	-	3.8	16.4	15.8	12.5	5	12	3-1318118-6
-	-	3.8	16.4	15.8	12.5	5	12	9-1318118-6 2-1318118-6
-	-	3.8	16.4	15.8	12.5	5	12	1-1318118-6



KEY LOCATION VIEW
 2-1318118-6
 9-1318118-6
 (KEYING Y)

DIMENSIONS: mm	TOLERANCES UNLESS OTHERWISE SPECIFIED 10: ±0.3 30: >10 : ±0.35 100: >30 : ±0.4 ANGLE: ±3'	DWN 7/DEC/'98 K.IKEDA	TE Connectivity
		CHK 7/DEC/'98 N.MATSUBARA	
MATERIAL 1	FINISH	APVD 7/DEC/'98 I.HASEGAWA	TE Connectivity
		PRODUCT SPEC	
108-5619		114-5258	TE Connectivity
APPLICATION SPEC		WEIGHT	
CUSTOMER DRAWING		SIZE A3	RESTRICTED TO
SCALE 4-1		CAGE CODE 00779	DRAWING NO. C-1318118
SHEET 1 OF 1		REV D	

NOT THE LATEST REVISION