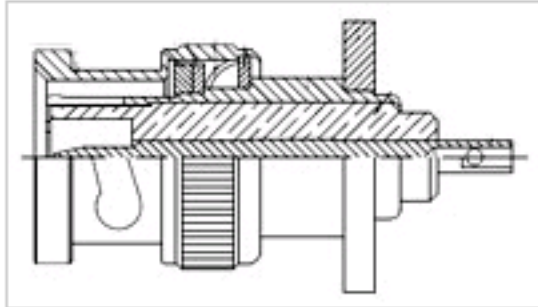




# 1-1337488-0 Product Details

[Share](#) | [Print](#) | [Email](#)


✓ Active

## BNC RF Connectors

BNC Pnl Plg 50Ohm Silver Pltd

1-1337488-0

TE Internal Number: 1-1337488-0

**Product Highlights** [View All](#)

- Connector - RF
- Plug
- Connector Style = Plug
- Body Style = Straight
- Not Surface Mountable

- [Pricing & Availability](#)
- [Request Sample](#)
- [Add to My Part List](#)
- [Buy Product through Distributor](#)

Feedback

[Documents](#) | [Features](#) | [Compliance](#)

**Please Note:**  
Use the Product Drawing for all design activity

Product Type Features	
Product Type <sup>?</sup>	Connector - RF
Gender	Plug
Grade <sup>?</sup>	Professional
Sealed <sup>?</sup>	No
Isolated <sup>?</sup>	No
Dielectric Material <sup>?</sup>	PTFE
Coupling Nut Material <sup>?</sup>	Brass
Mechanical Attachment	
Surface Mountable	No
Hardware Included <sup>?</sup>	No
Panel Mount Retention <sup>?</sup>	With
Panel Mount Retention Type <sup>?</sup>	Flanged
Panel Attachment Style	Front Mount
Panel Cutout	1 x 8.0 + 4 x 3.2
Flange Dimension [Sq.] (mm [in])	17.50 [0.689]
Electrical Characteristics	
Connector Impedance (Ω) <sup>?</sup>	50
Frequency	DC - 4 GHz
Body Features	
Body Style <sup>?</sup>	Straight
Body Material <sup>?</sup>	Brass
Body Plating <sup>?</sup>	Silver
Polarized <sup>?</sup>	No
Gasket Material	White Silicone Rubber

Contact Features	
Center Contact Material <sup>?</sup>	Brass
Center Contact Plating <sup>?</sup>	Silver
Housing Features	
Connector Style	Plug
Configuration Features	
Number of Ports	1
Solder Terminal	With
Industry Standards	
Government/Industry Qualification	No
RoHS/ELV Compliance <sup>?</sup>	RoHS compliant, ELV compliant
Lead Free Solder Processes <sup>?</sup>	Wave solder capable to 260°C, Wave solder capable to 240°C, Wave solder capable to 265°C
RoHS/ELV Compliance History	Converted to comply with RoHS directive
Environmental	
Operating Temperature (Max.) (°C)	165
Packaging Features	
Packaging Method	Individual
Packaging Quantity	50
Other	
Brand	Greenpar

**Related Products**

Not quite the product you're looking for?  
[Find Similar Products](#)

[View Part in Product Feature Selector](#)

[Check for Tooling](#)

**Corporate Information**

- [About TE](#)
- [Investors](#)
- [News Room](#)
- [Supplier Portal](#)
- [Careers](#)
- [Terms & Conditions](#)
- [Privacy Policy](#)
- [Global Accessibility Statement](#)

**Quick Links**

- [Distributor Inventory](#)
- [Product Cross Reference](#)
- [Documents & Drawings](#)
- [Product Compliance Support Center](#)
- [Site Map](#)

**Customer Support**

- [Email or Chat With Us](#)
- [Find a Phone Number](#)
- [Knowledge Base](#)
- [Manage Your Account](#)

**Keep Me Informed**

