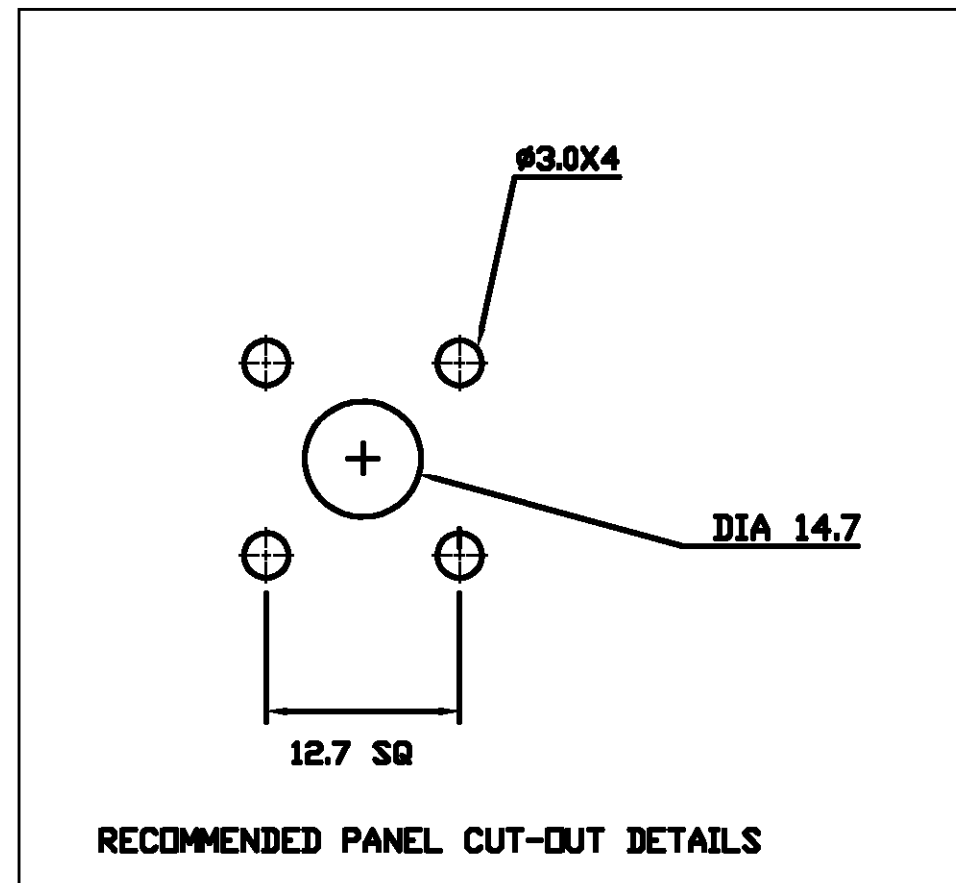
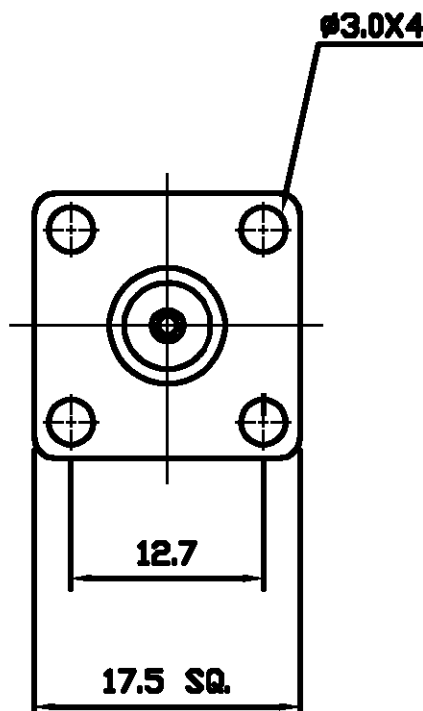
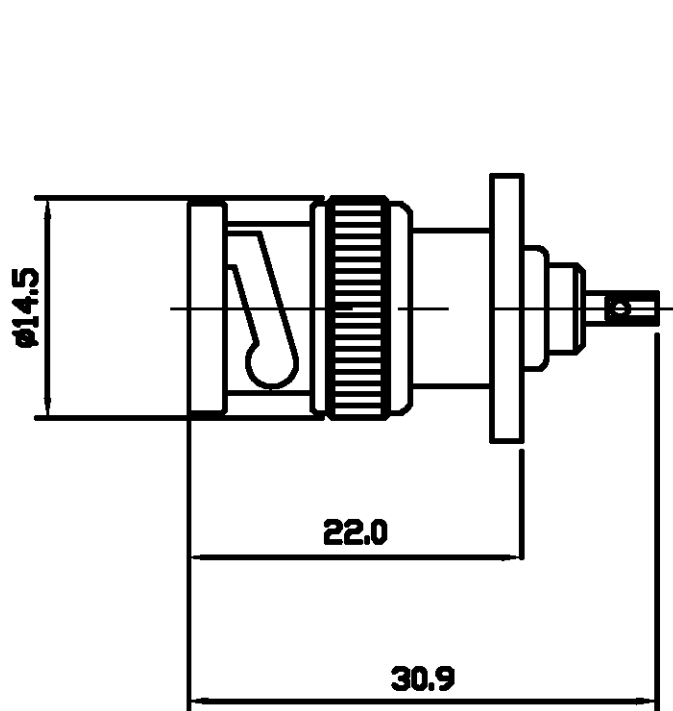


THIS DRAWING IS UNPUBLISHED. RELEASED FOR PUBLICATION 7-9-00, - .  
 © COPYRIGHT 2000 BY TYCO ELECTRONICS CORPORATION. ALL RIGHTS RESERVED.

LOC	DIST	REVISIONS					
		P	LTR	DESCRIPTION	DATE	DWN	APVD
E	B	B		EB00 - 0304 - 01	26-9-01	RG	FWK



ALL DIMENSIONS ARE NOMINAL. FOR REFERENCE ONLY.

DIE SET PART NUMBER	N/A
HANDTOOL PART NUMBER	N/A
FOR USE ON CABLES	N/A
CONNECTOR PLATING DETAIL	SILVER
CONTACT PLATING DETAIL	SILVER
DIELECTRIC MATERIAL	TEFLON
GASKET MATERIAL	WHITE SILICONE RUBBER

THIS DRAWING IS A CONTROLLED DOCUMENT.

DIMENSIONS:	TOLERANCES UNLESS OTHERWISE SPECIFIED:
MM	
	0 PLC ±
	1 PLC ±
	2 PLC ±
	3 PLC ± -
	4 PLC ± -
	ANGLES ±
MATERIAL	FINISH
-	-

DWN	R.SMITH	07-SEP-00
CHK	R.GOODALL	07-SEP-00
APVD	R.GOODALL	07-SEP-00
PRODUCT SPEC	108-3435	
APPLICATION SPEC	-	
WEIGHT	-	
CUSTOMER DRAWING		

BAG	SINGLE ITEM	1-1337488-0
PACK TYPE	DESCRIPTION	PART NUMBER
Tyco Electronics Corporation Stanmore, Middlesex, HA7 4RS		
NAME: BNC PANEL PLUG 50 Ohm		
SIZE	CAGE CODE	DRAWING NO
A3	00779	C-1337488
RESTRICTED TO		-
SCALE	SHEET	REV
NTS	1 OF 1	B