

1-1337494-0 Product Details

[Share](#) [Print](#) [Email](#)



1-1337494-0

TE Internal Number: 1-1337494-0

 Active

[View 3D PDF](#)

BNC RF Connectors

 Always EU RoHS/ELV Compliant (Statement of Compliance)

Product Highlights:

- Connector - RF
- Jack
- Connector Style = Jack
- Applies To Printed Circuit Board
- Body Style = Elbow

[View all Features](#)

Quick Links

- [▶ Pricing & Availability](#)
- [▶ Search for Tooling](#)
- [▶ Product Feature Selector](#)
- [▶ Contact Us About This Product](#)

[Add to My Part List](#)

[Request Sample](#)

[Find Similar Products](#)

[Buy Product](#)

Documentation & Additional Information

Product Drawings:

- [BNC R/A PCB SHIELDED SOCKET 50 OHM](#) (PDF, English)

Catalog Pages/Data Sheets:

- [ZDC_RF_COAX_CONNECTOR_SERIES_50&75_OHM](#) (PDF, English)

Product Specifications:

- None Available

Application Specifications:

- None Available

Instruction Sheets:

- None Available

CAD Files: [\(CAD Format & Compression Information\)](#)

- [2D Drawing](#) (DXF, Version F)
- [3D Model](#) (IGES, Version F)
- [3D Model](#) (STEP, Version F)

Related Products:

- [Tooling](#)

[List all Documents](#)

Product Features (Please use the Product Drawing for all design activity)

Product Type Features:

- [Product Type](#) = Connector - RF
- [Gender](#) = Jack
- [PCB Mounting Orientation](#) = Right Angle
- [Grade](#) = Commercial
- [PCB Mount Retention](#) = With
- [PCB Mount Retention Type](#) = Solder Tail (Pin)
- [Mounting Post Style](#) = Round
- [Sealed](#) = No
- [Isolated](#) = No
- [Dielectric Material](#) = Polyethylene

Mechanical Attachment:

- [Surface Mountable](#) = No
- [Hardware Included](#) = No
- [Panel Mount Retention](#) = With
- [Panel Mount Retention Type](#) = Bulkhead, Hex Nut
- [Panel Attachment Style](#) = Rear Mount
- [Panel Cutout](#) = 12.0mm x 12.9mm D-Shape

Electrical Characteristics:

- [Connector Impedance \(Ω\)](#) = 50

Dimensions:

- [PCB Height \(mm \[in\]\)](#) = 15.20 [0.598]
- [Mounting Post Length \(mm \[in\]\)](#) = 3.60 [0.141]
- [Panel Thickness \(mm \[in\]\)](#) = 1.50 - 5.50 [0.059 - 0.217]
- [PCB Tail Length \(mm \[in\]\)](#) = 4.20 [0.165]
- [PCB Thickness, Recommended \(mm \[in\]\)](#) = 3.20 [0.126]

Body Features:

- [Body Style](#) = Elbow
- [Body Material](#) = Zinc
- [Body Plating](#) = Nickel
- [Polarized](#) = No

Contact Features:

- [Center Contact Material](#) = Phosphor Bronze
- [Center Contact Plating](#) = Gold

Housing Features:

- [Connector Style](#) = Jack

Configuration Features:

- [Number of Ports](#) = 1
- [Solder Terminal](#) = With

Industry Standards:

- [Government/Industry Qualification](#) = No
- [RoHS/ELV Compliance](#) = RoHS compliant, ELV compliant
- [Lead Free Solder Processes](#) = Wave solder capable to 260°C, Wave solder capable to 240°C, Wave solder capable to 265°C
- [RoHS/ELV Compliance History](#) = Always was RoHS compliant

Environmental:

- [Operating Temperature \(Max.\) \(°C\)](#) = 85

Conditions for Usage:

- [Applies To](#) = Printed Circuit Board
- [For Use With](#) = ZDC/BNC Connector

Packaging Features:

- [Packaging Method](#) = Individual

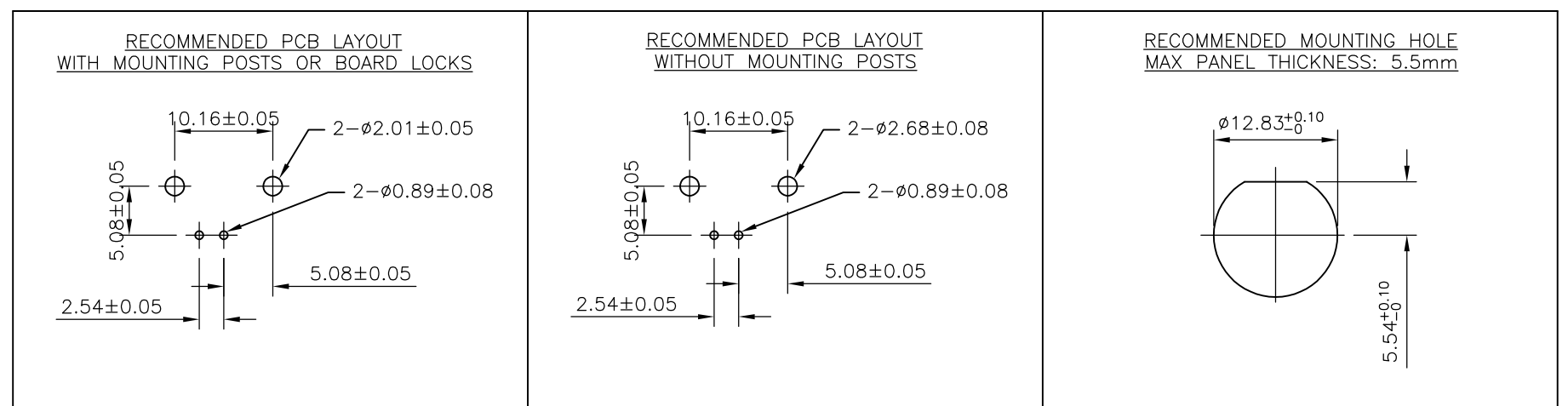
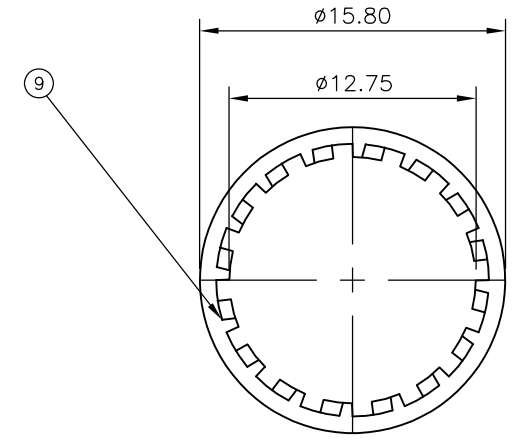
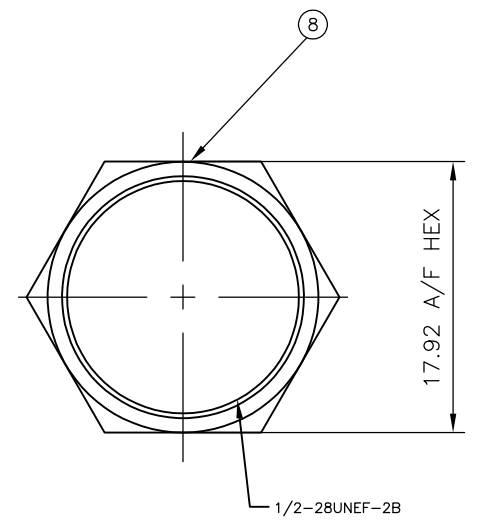
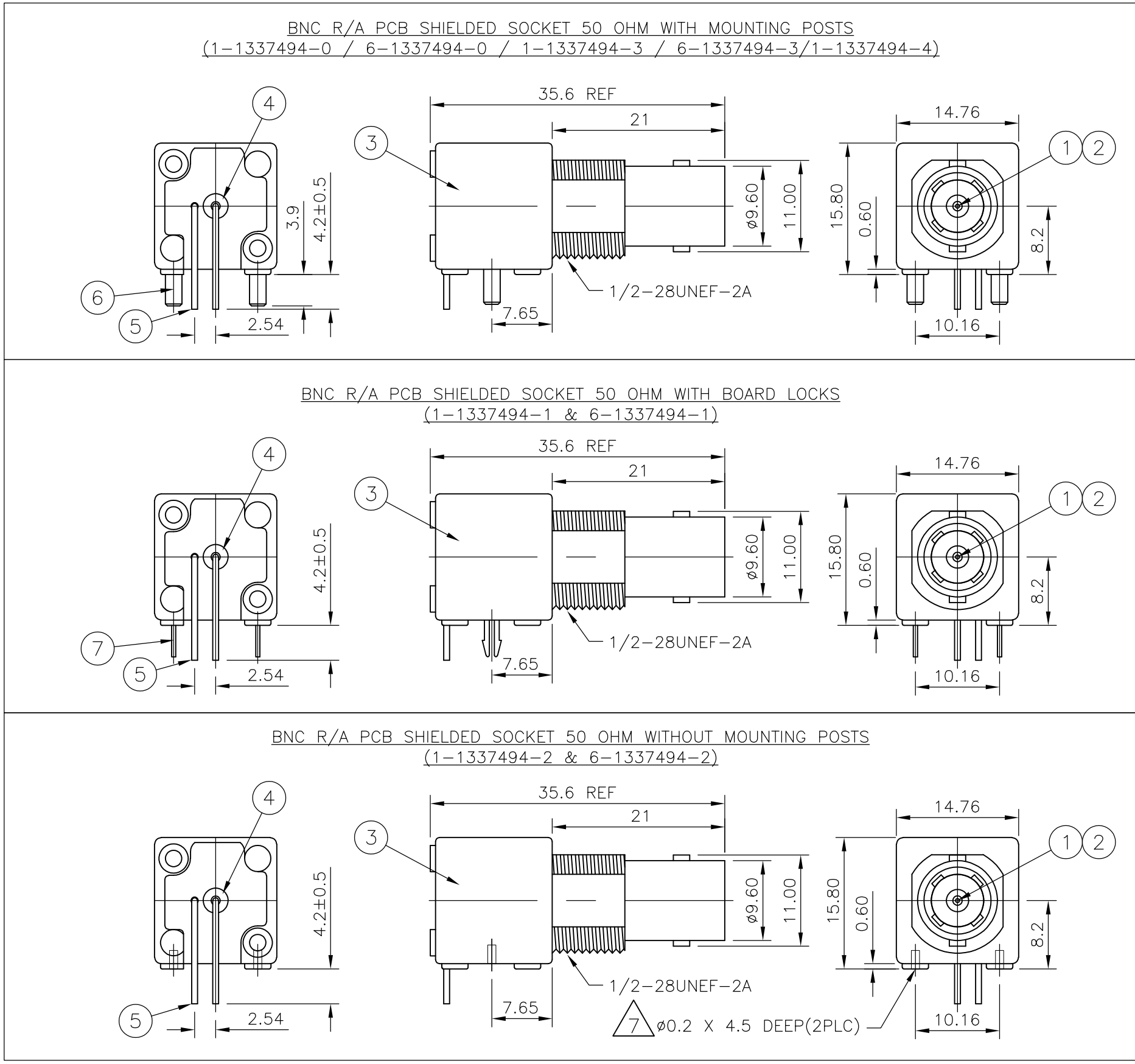
Other:

- [Brand](#) = Greenpar

THIS DRAWING IS UNPUBLISHED. RELEASED FOR PUBLICATION AUGUST, 2005.
 © COPYRIGHT 2005 By - ALL RIGHTS RESERVED.

LOC		DIST		REVISIONS			
P	LTR	DESCRIPTION		DATE	DWN	APVD	
F2		REVISED PER ECO-12-009825		19NOV12	KH	FB	

- 1 SINGLE PACK IN ACCORDANCE WITH AMP SPEC 107-3275
- 2 50 TRAY PACK IN ACCORDANCE WITH AMP SPEC 107-3275
- 3 FLASH Au PLATING OVER Ni PLATING OVER Cu PLATING
- 4 0.8µm Au PLATING OVER Ni PLATING OVER Cu PLATING
- 5 Ni PLATING OVER Cu PLATING
- 6 TIN PLATING
- 7 RECOMMENDED SELF-TAPPING SCREW 221108-4
- 8 RECOMMENDED MOUNT NUT 1-1634816-0
- 9 RECOMMENDED LOCKWASHER 1-1634817-0
- 10 FOR TECHNICAL DATA REFER TO YOUR LOCAL TE CONNECTIVITY SALES OFFICE
- 11 ALL DIMENSIONS ARE NOMINAL FOR REFERENCE ONLY UNLESS OTHERWISE STATED
- 12 OBSOLETE



QUANTITY PER ASSY										PARTS LIST			
1	-	-	-	-	-	-	-	-	-	STEEL	5	LOCK WASHER	9
1	-	-	-	-	-	-	-	-	-	BRASS	5	NUT	8
-	-	-	-	-	2	2	-	-	-	BRASS	6	BOARD LOCK	7
2	2	2	-	-	-	-	2	2	2	BRASS	6	MOUNTING POST	6
1	1	1	1	1	1	1	1	1	1	BRASS	6	SOLDER TAIL	5
1	1	1	1	1	1	1	1	1	1	PE-606	4	INSULATOR	4
1	1	1	1	1	1	1	1	1	1	ZINC ALLOY	5	BODY	3
-	1	1	-	-	-	-	-	-	-	BRASS	4	CONTACT	2
1	-	-	1	1	1	1	1	1	1	PHOSPHOR BRONZE	3	CONTACT	1
1--4	6--3	1--3	6--2	1--2	6--1	1--1	6--0	1--0		MATERIAL		DESCRIPTION	ITEM

THIS DRAWING IS A CONTROLLED DOCUMENT.

DWN	RITA ZUO	14 Feb 09		TE Connectivity	
CHK	ANSON MA	14 Feb 09			
APVD	BOB ZHAO	14 Feb 09			
PRODUCT SPEC	108-112000				
MATERIAL	SEE TABLE		NAME	BNC R/A PCB SHIELDED SOCKET 50 OHM	
DIMENSIONS:	mm	TOLERANCES UNLESS OTHERWISE SPECIFIED:	SIZE	A2	
0 PLC	± 0.5	1 PLC	± 0.3	CAGE CODE	00779
1 PLC	± 0.3	2 PLC	± 0.2	DRAWING NO	C=1337494
2 PLC	± 0.2	3 PLC	± -	RESTRICTED TO	-
3 PLC	± -	4 PLC	± -	SCALE	NTS
4 PLC	± -	ANGLES	± -	SHEET	1 of 1
FINISH	SEE TABLE	WEIGHT	-	REV	F2
MATERIAL	SEE TABLE	CUSTOMER DRAWING			