

1-1375820-0 Product Details

[Share](#) [Print](#) [Email](#)



1-1375820-0

TE Internal Number: 1-1375820-0

Active

[View 3D PDF](#)

MTA, CST-100 II, MT-6 and SL Connectors and Headers

Always EU RoHS/ELV Compliant
(Statement of Compliance)

Product Highlights:

- CST-100 II Product Line
- CST Series
- Wire-to-Wire
- Applies To Wire/Cable
- Connector

[View all Features](#)

Quick Links

- ▶ [Pricing & Availability](#)
- ▶ [Search for Tooling](#)
- ▶ [View Mating Products \(44\)](#)
- ▶ [Product Feature Selector](#)
- ▶ [Contact Us About This Product](#)

[Add to My Part List](#) [Request Sample](#) [Find Similar Products](#)
[Buy Product](#)

Documentation & Additional Information

Product Drawings:

- [HOUSING, CST-100 II](#) (PDF, English)

Catalog Pages/Data Sheets:

- None Available

Product Specifications:

- [CST-100 Type II .100 Inch Centerline Crimp-Snap Conn...](#) (PDF, English)

Application Specifications:

- [CST-100 II Connectors](#) (PDF, English)

Instruction Sheets:

- [Extracting CST-100 II Contact 1375819-\[\] from Housi...](#) (PDF, English)

CAD Files: (CAD Format & Compression Information)

- [2D Drawing](#) (DXF, Version 0)
- [3D Model](#) (IGES, Version 0)
- [3D Model](#) (STEP, Version 0)

[List all Documents](#)

Additional Information:

- [Product Line Information](#)

Related Products:

- [Tooling](#)
- [Mating Products \(44\)](#)

Product Features (Please use the Product Drawing for all design activity)

Product Type Features:

- Product Line = CST-100 II
- Series = CST
- Product Type = Connector
- Connector Type = Housing
- PCB Mount Retention = Without
- PCB Mount Alignment = Without
- Strain Relief = Without
- Sealed = No
- UL File Number = E28476
- CSA File Number = LR7189

Mechanical Attachment:

- Contact Retention = Without
- Mating Retention Type = Latching
- [Panel Mount Retention](#) = Without

Configuration Features:

- [Number of Positions](#) = 10
- [Post Number\(s\) Omitted](#) = None
- [Backwall/Post Interruption\(s\)](#) = Without
- [Number of Rows](#) = 1

Industry Standards:

- [RoHS/ELV Compliance](#) = RoHS compliant, ELV compliant
- [Lead Free Solder Processes](#) = Not relevant for lead free process
- [RoHS/ELV Compliance History](#) = Always was RoHS compliant
- [Agency/Standard](#) = UL, CSA
- [UL Rating](#) = Recognized
- [CSA Rating](#) = Certified

Electrical Characteristics:

- Operating Voltage Reference = AC
- Operating Voltage (VAC) = 250

Body Features:

- Mating Retention = With
- Assembly Integration Feature = Without

Contact Features:

- Contact Type = Socket
- Multiple Contact Types = Without

Housing Features:

- Connector Style = Receptacle
- Centerline (mm [in]) = 2.54 [0.100]
- Housing Material = Nylon
- Housing Color = Natural
- Mating Alignment = With
- Mating Alignment Type = Polarizing Tab
- UL Flammability Rating = UL 94V-0

Environmental:

- Operating Temperature (°C [°F]) = -55 - +105 [-67 - +221]

Conditions for Usage:

- Applies To = Wire/Cable
- For Use With = Mates with Specified MTA .100 Headers, Similar Competitive Notched Headers & CST .100 Shrouded Headers

Operation/Application:

- Application Use = Wire-to-Wire

Packaging Features:

- Packaging Method = Package
- Packaging Quantity = 1

Other:

- Brand = AMP
- Comment = Accepts Rec Contact p/n 1375819 & MTA-100 Keying Plug P/N 641994-1; Not interchangeable with CST-100 contacts and housings.

Corporate Information

[About TE](#)
[Investors](#)
[News Room](#)
[Supplier Portal](#)
[Careers](#)
[Terms & Conditions](#)
[Privacy Policy](#)

Quick Links

[Distributor Inventory](#)
[Product Cross Reference](#)
[Documents & Drawings](#)
[Product Compliance Support Center](#)
[Site Map](#)

Customer Support

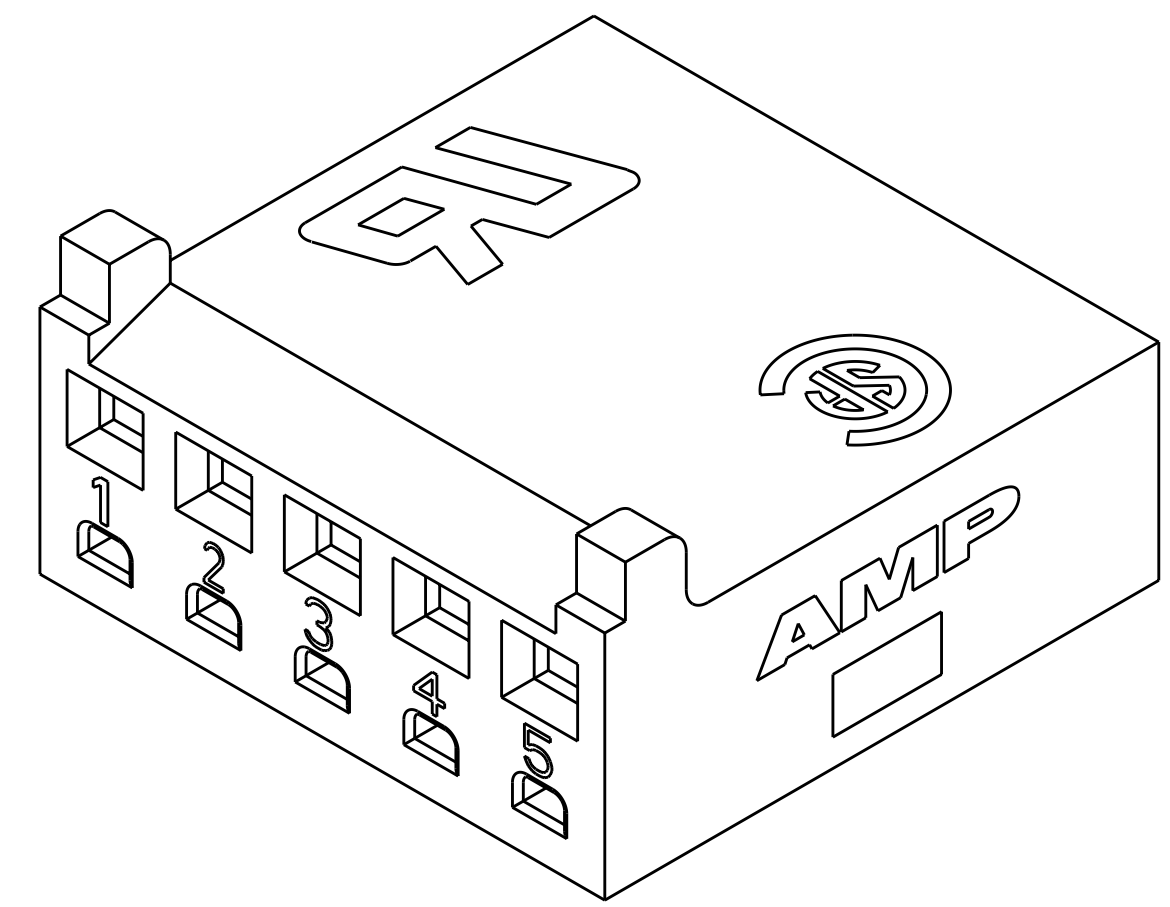
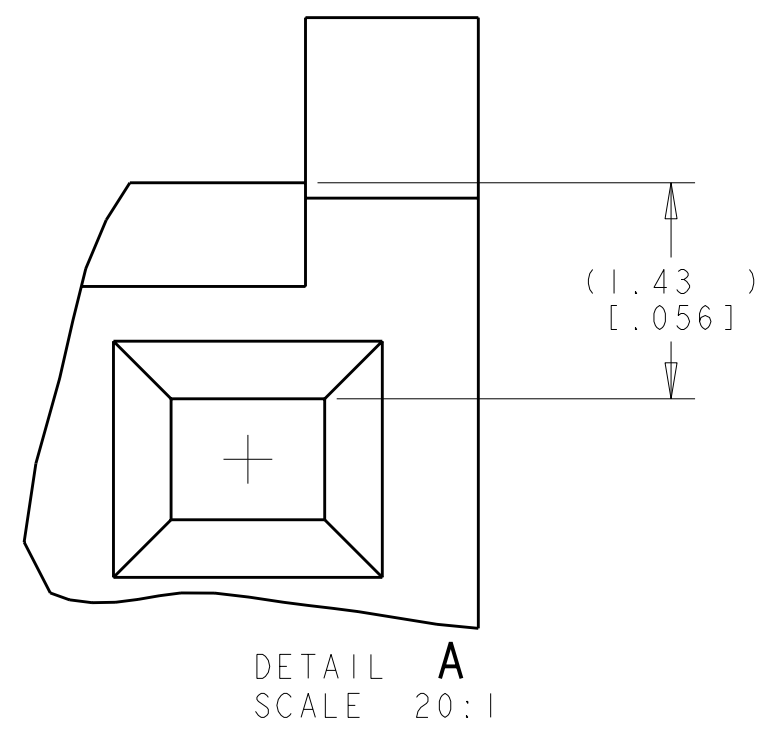
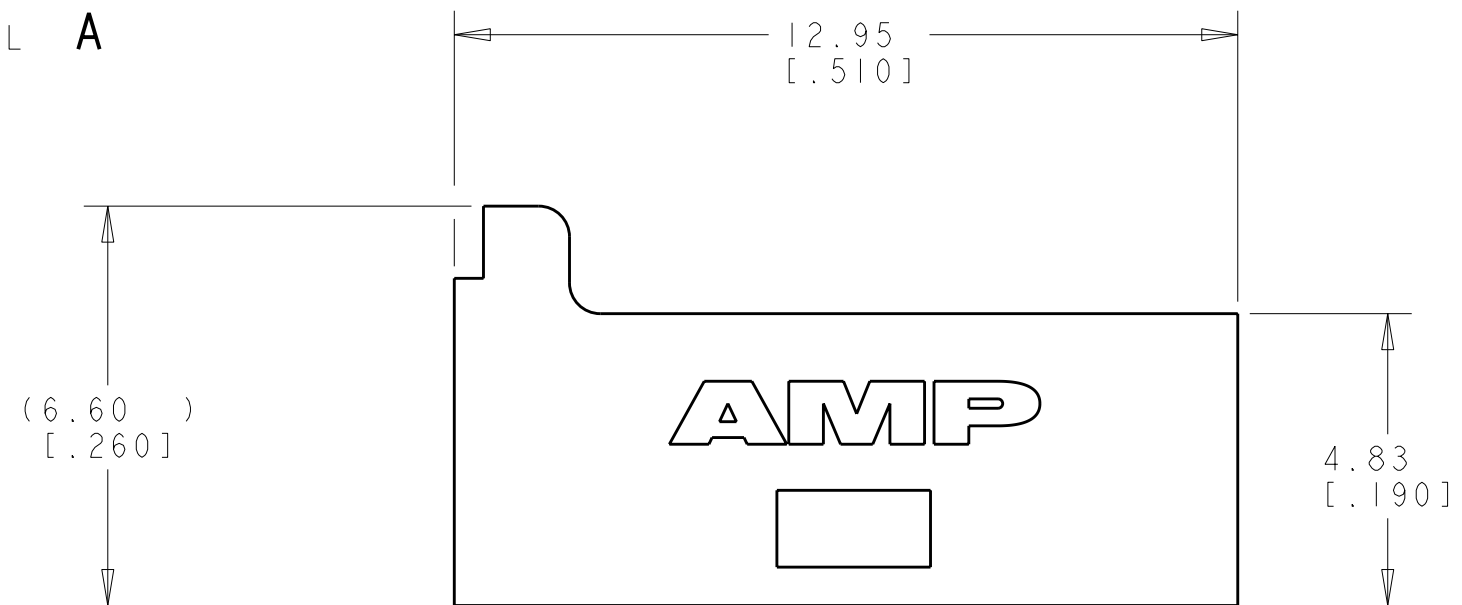
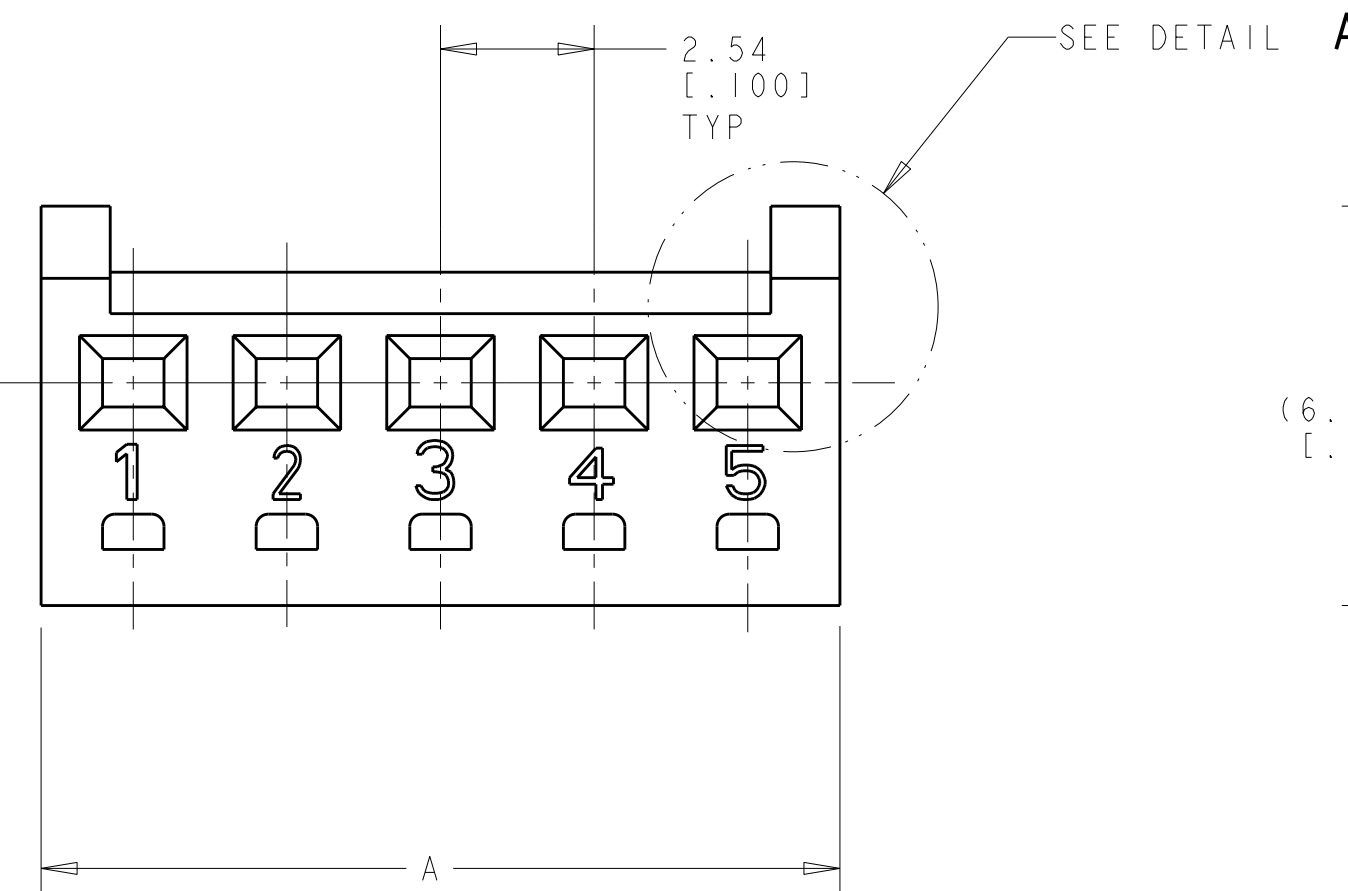
[Email or Chat With Us](#)
[Find a Phone Number](#)
[Knowledge Base](#)
[Manage Your Account](#)

Keep Me Informed

THIS DRAWING IS UNPUBLISHED. RELEASED FOR PUBLICATION 20
 © COPYRIGHT 20 ALL RIGHTS RESERVED.

| LOC | | DIST | | REVISIONS | | | |
|-----|-----|---------------------------|--|-----------|-----|------|--|
| P | LTR | DESCRIPTION | | DATE | DWN | APVD | |
| | P | REVISED PER ECO-11-005294 | | 06APR2011 | RK | HMR | |

1. ACCEPTS CONTACT P/N 1375819.
2. ACCEPTS MTA-100 KEYING PLUG P/N 641994-1.
3. DIMENSIONS IN BRACKETS ARE IN INCHES.
4. NOT FOR USE WITH CONTACT PART NUMBER 770601 OR 770666.



| mm | INCH | NO OF CKTS | PART NO |
|------------------------------------|-------|------------|-------------|
| 71.63 | 2.820 | 28 | 2-1375820-8 |
| 69.09 | 2.720 | 27 | 2-1375820-7 |
| 66.55 | 2.620 | 26 | 2-1375820-6 |
| 64.01 | 2.520 | 25 | 2-1375820-5 |
| 61.47 | 2.420 | 24 | 2-1375820-4 |
| 58.93 | 2.320 | 23 | 2-1375820-3 |
| 56.39 | 2.220 | 22 | 2-1375820-2 |
| 53.85 | 2.120 | 21 | 2-1375820-1 |
| 51.31 | 2.020 | 20 | 2-1375820-0 |
| 48.77 | 1.920 | 19 | 1-1375820-9 |
| 46.23 | 1.820 | 18 | 1-1375820-8 |
| 43.69 | 1.720 | 17 | 1-1375820-7 |
| 41.15 | 1.620 | 16 | 1-1375820-6 |
| 38.61 | 1.520 | 15 | 1-1375820-5 |
| 36.07 | 1.420 | 14 | 1-1375820-4 |
| 33.53 | 1.320 | 13 | 1-1375820-3 |
| 30.99 | 1.220 | 12 | 1-1375820-2 |
| 28.45 | 1.120 | 11 | 1-1375820-1 |
| 25.91 | 1.020 | 10 | 1-1375820-0 |
| 23.37 | .920 | 9 | 1375820-9 |
| 20.83 | .820 | 8 | 1375820-8 |
| 18.29 | .720 | 7 | 1375820-7 |
| 15.75 | .620 | 6 | 1375820-6 |
| 13.21 | .520 | 5 | 1375820-5 |
| 10.67 | .420 | 4 | 1375820-4 |
| 8.13 | .320 | 3 | 1375820-3 |
| 5.59 | .220 | 2 | 1375820-2 |
| DIM A +0.25/-0.13 [+.010/-.005] | | | |

THIS DRAWING IS A CONTROLLED DOCUMENT.

DWN: K. WHITAKER 21-JUNE-2001
 CHK: J. ELLIS 21-JUNE-2001
 APVD: J. ELLIS 21-JUNE-2001

PRODUCT SPEC: 108-1948
 APPLICATION SPEC: 114-13036

MATERIAL: NYLON

TE Connectivity
 HOUSING, CST-100 11

SIZE: A2 CAGE CODE: 00779 DRAWING NO: 1375820

SCALE: 8:1 SHEET: 1 OF 1 REV: P

