

Distributed by:

**JAMECO**<sup>®</sup>  
ELECTRONICS

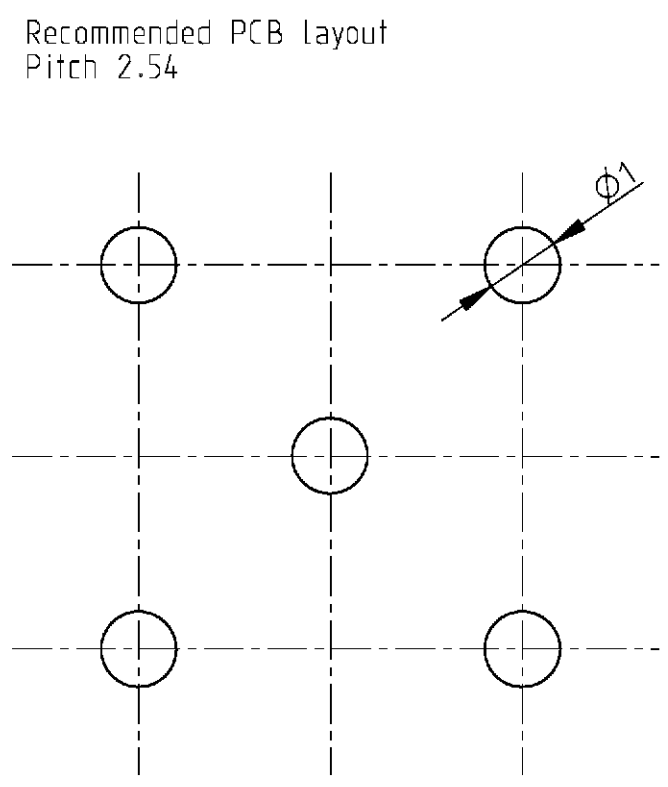
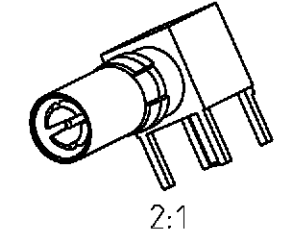
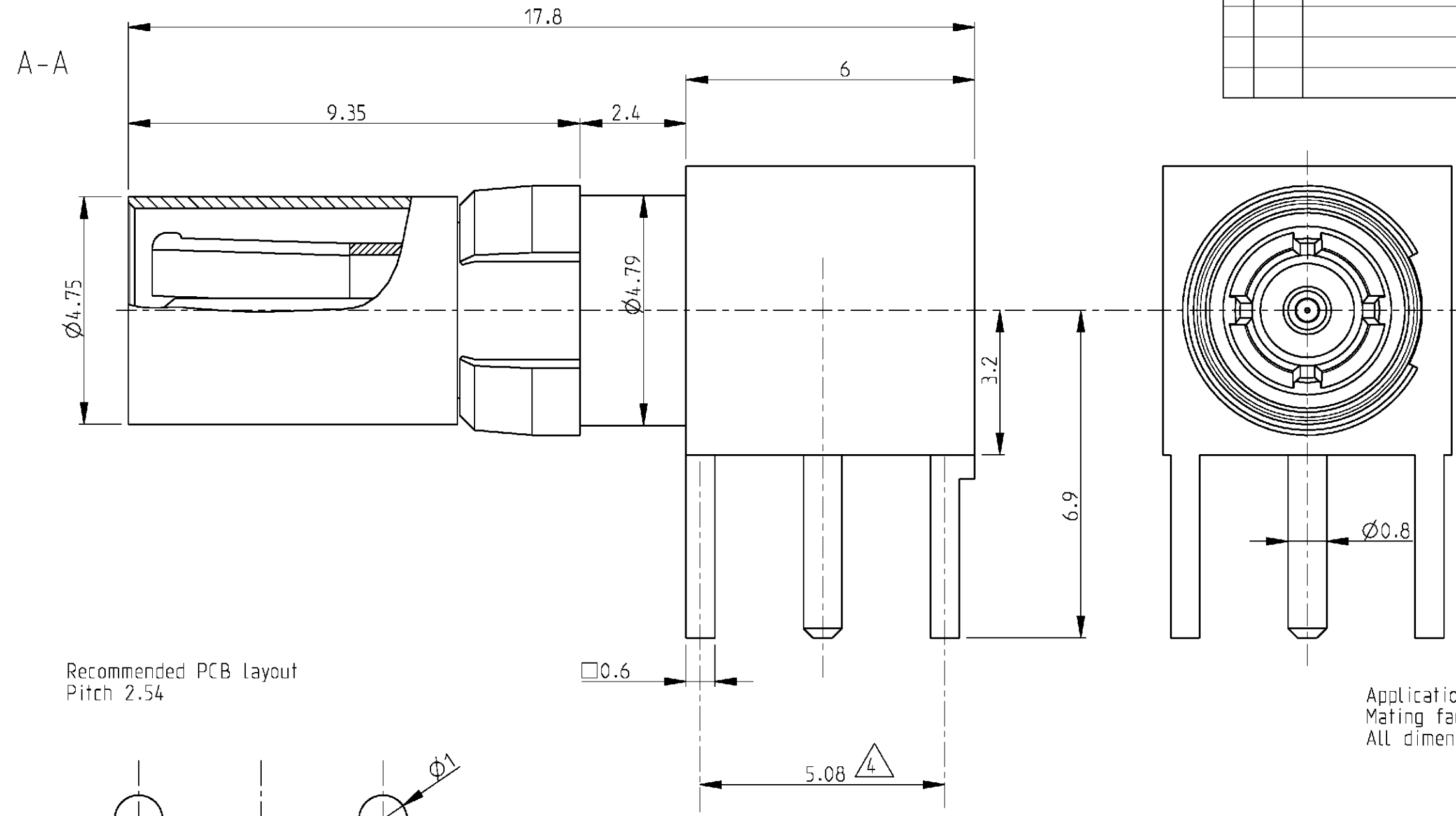
**www.Jameco.com ♦ 1-800-831-4242**

The content and copyrights of the attached  
material are the property of its owner.

Jameco Part Number 888177

THIS DRAWING IS UNPUBLISHED. RELEASED FOR PUBLICATION 2000  
 © COPYRIGHT 2000 BY TYCO ELECTRONICS CORPORATION. ALL RIGHTS RESERVED.

LOC	DIST	REVISIONS			
P	LTR	DESCRIPTION	DATE	DWN	APVD
GW	-	A1	SR10-0146-01	09APR2001	CM KM



V23601-A1127-E1	1-1393662-2	Dielectric	PTFE	
		Outer Con.	Cu Be	1µm Au min in contact area
		Center Con.	Brass	1µm Au min in contact area
Old Nr	Tyco Nr	Description	Material	Plating

DIMENSIONS:		TOLERANCES UNLESS OTHERWISE SPECIFIED:		APPROVALS		NAME				
mm		0 PLC	±	DWN	MOROBÉ	04 APR 2001	<b>tyco</b> <b>Electronics</b> Tyco Electronics Oostkamp - Belgium			
		1 PLC	±0.5	CHK	MATTHEEUWS	9 APR 2001				
		2 PLC	±0.13	APVD	LEEMAN	9 APR 2001				
		3 PLC	±0.013	PRODUCT SPEC						
		4 PLC	±0.0001	APPLICATION SPEC						
MATERIAL		FINISH		WEIGHT			SIZE	CAGE CODE	DRAWING NO	RESTRICTED TO
-		-		-			A3	00779	1-1393662-2	-

