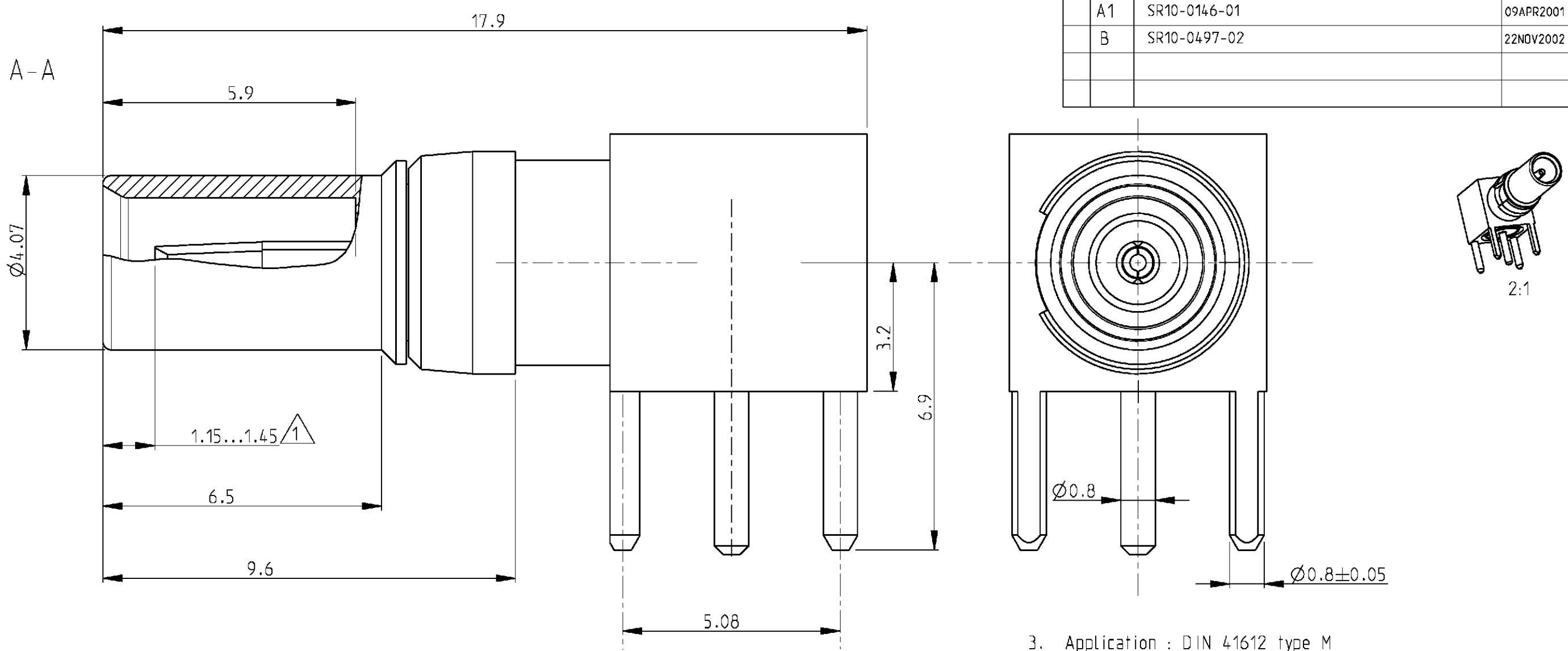


THIS DRAWING IS UNPUBLISHED. RELEASED FOR PUBLICATION 2000  
 © COPYRIGHT 2000 BY TYCO ELECTRONICS CORPORATION. ALL RIGHTS RESERVED.

LOC	DIST	REVISIONS				
P	LTR	DESCRIPTION	DATE	DWN	APVD	
GW	-	A1	SR10-0146-01	09APR2001	CM	KM
		B	SR10-0497-02	22NOV2002	KM	KM



- 3. Application : DIN 41612 type M
- 2. Mating face according to DIN 41626 , Part 2

△ Control dimension

All dimensions are max dimensions unless otherwise specified

V23601-A1227-E1	1-1393662-4	Dielectric	PTFE	
		Outer Con.	Brass	1µm Au min in contact area
		Center Con.	Cu Be	1µm Au min in contact area
Old Nr	Tyco Nr	Description	Material	Plating

<small>THIS DRAWING IS A CONTROLLED DOCUMENT FOR TYCO ELECTRONICS CORPORATION. IT IS SUBJECT TO CHANGE AND THE CONTROLLING ENGINEERING ORGANIZATION SHOULD BE CONTACTED FOR THE LATEST REVISION.</small>		DWN MOROBE 04 APR 2001 CHK MATTHEEUW 9 APR 2001 APVD LEEMAN 9 APR 2001		<b>tyco Electronics</b> Tyco Electronics Oostkamp - Belgium	
DIMENSIONS: mm 		TOLERANCES UNLESS OTHERWISE SPECIFIED: 0 PLC ±0.5 1 PLC ±0.13 2 PLC ±0.013 3 PLC ±0.0001 4 PLC ANGLES ±		NAME BULKHEAD ANGLE JACK WITH PCB CONNECTION 1.0/2.3 INSERT 50 Ohm	
MATERIAL - FINISH -		PRODUCT SPEC 108-71032 APPLICATION SPEC -		SIZE A3 CAGE CODE 00779 DRAWING NO 1-1393662-4 RESTRICTED TO -	
		WEIGHT -		SCALE 10/1 SHEET 1 OF 1 REV B	

