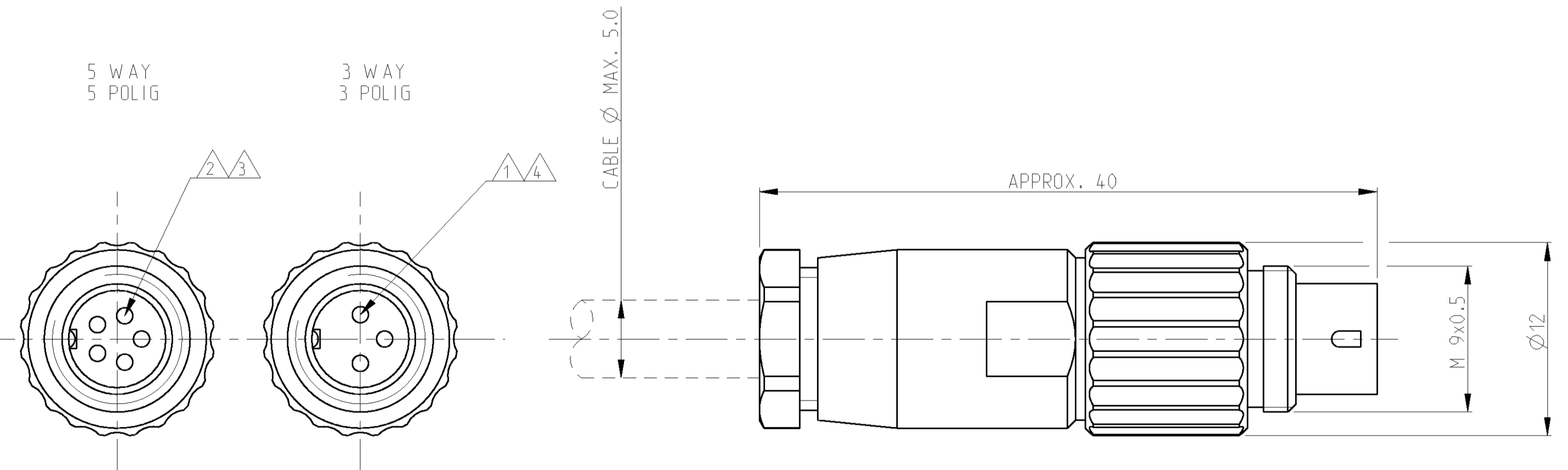
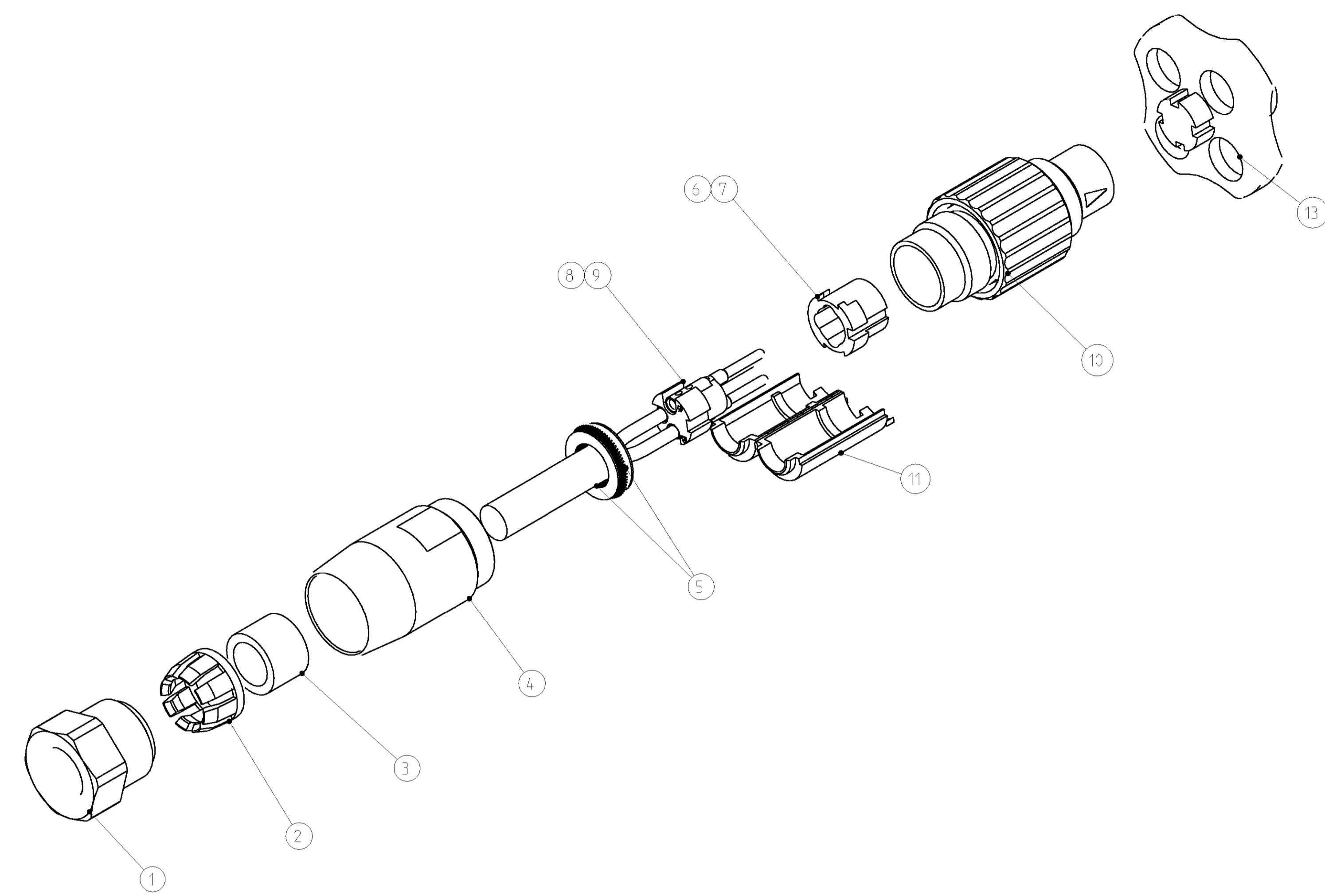


LOC	DIST	P	LTR	REVISIONS ÄNDERUNGEN	DATE	DWN	APVD
A1	-			EG00-0576-01	18JUN2001	NG	GF
				NOTES CHANGED	10SEP2002	NG	GF

MATERIAL / MATERIAL: PBT, UL-94 V2 SHELL MATERIAL / GEHÄUSEMATERIAL: BRASS/MESSING FINISH / BESCHICHTUNG: TRIBOR 4 µm	5
WIRE GAGE / DRAHTGROSSE IN mm ² : 0.5	4
WIRE GAGE / DRAHTGROSSE IN mm ² : 0.14 OR 0.25	3
CRIMP CONTACT / CRIMP KONTAKT: SEE PN 5-1437720-5	2
CRIMP CONTACT / CRIMP KONTAKT: SEE PN 5-1437720-4	1
SHELL PROTECTION CLASS / SCHUTZKLASSE: IP 65 / DIN 40050	
TEST VOLTAGE / PRUEFSPANNUNG: 500 VAC	
OPERATING VOLTAGE / BETRIEBSSPANNUNG: 60 VAC	
OPERATING TEMPERATURE: -40°C TO +80°C / ARBEITSTEMPERATUR: -40°C BIS +80°C	
MATING CYCLES / STECKZYKLEN: 500 MAX.	
TECHNICAL DATA TECHNISCHE DATEN	



TYCO-NO. / TYCO NR.	QTY REQD PER ASSY	DESCRIPTION / BESCHREIBUNG	ITEM-NO. TEIL-NR.
1-1437719-2	1	MOUNTING WRENCH / MONTAGESCHLUESSEL	13
1-1437719-1	1	MOUNTING INSTRUCTION / MONTAGEANLEITUNG	12
	1	INSULATION TUBE / ISOLIERHUELSE	11
	1	SCREWING TUBE / SCHRAUBHUELSE	10
	1	CONTACT HOLDER 5 WAY / STIFTHALTER 5 POLIG	9
	1	CONTACT HOLDER 3 WAY / STIFTHALTER 3 POLIG	8
	1	CONTACT CARRIER 5 WAY / STIFTTRAEGER 5 POLIG	7
	1	CONTACT CARRIER 3 WAY / STIFTTRAEGER 3 POLIG	6
	2	GROUNDING PLATE FOR 360° SHIELDING CONNECTION/ MASSESCHIEBE FUER 360° ABSCHIRMUNG	5
	1	HOUSING / GEHAEUSE	4
	1	CABLE SEALING / KABELDICHTUNG	3
	1	STRAIN RELIEF / ZUGENTLASTUNGSKRONE	2
	1	STRAIN RELIEF NUT / ZUGENTLASTUNGSMUTTER	1
	-	REVISION OF EACH ASSY NO. (WHEN BLANK, USE DWG REV.)	
		PARTS LIST / TEILE LISTE	

1 CONTACTS OF TYPE TYCO-PN: 5-1437720-4/T01-0540-P03 MUST BE ORDERED SEPARATELY
 KONTAKTE DES TYPS TYCO-PN: 5-1437720-4/T01-0540-P03 MUESSEN SEPARAT BESTELLT WERDEN

2 CONTACTS OF TYPE TYCO-PN: 5-1437720-5/T01-0540-P05 MUST BE ORDERED SEPARATELY
 KONTAKTE DES TYPS TYCO-PN: 5-1437720-5/T01-0540-P05 MUESSEN SEPARAT BESTELLT WERDEN

1-1437719-2	100 PLUG CONNECTORS / STECKVERBINDER COMPONENT PARTS PACKAGED PER 100	1-1437719-1	100 PLUG CONNECTOR / STECKVERBINDER COMPONENT PARTS PACKAGED PER 100
TYCO-NO. / TYCO-NR.	ORDER QUANTITY / BESTELLMENGE		

DIMENSIONS: MASSENHEITEN: (MM)	TOLERANCES: ALLGEMEINTOLERANZEN: UNLESS OTHERWISE SPECIFIED: 0 PLC ±0.3 1 PLC ±0.1 2 PLC ±0.1 3 PLC ±0.1 4 PLC ±0.1 FINISH/SCHREIBFLÄCHE/FARBE: - 5	DWN: H. SCHNEIDER DATE: 18 JUN 2001 CEN: H. SCHNEIDER DATE: 18 JUN 2001 APVD: H. SCHNEIDER DATE: 18 JUN 2001 PRODUCT SPEC: PRODUKTSPEZ. APPLICATION SPEC: VERARBEITUNGSSPEZ.	NAME: T01 MALE PLUG CONNECTOR CRIMP-VERS. 3-5 POS. T01 STIFTSTECKER CRIMPVERSION 3 - 5 POL. SIZE: A1 CAGE CODE: 00779 DRAWING NO.: 1-1437719-1 RESTRICTED TO: - SHEET: 1 OF 1 SCALE: - SHEET: 1 OF 1 REV: A2
--------------------------------------	--	---	---