

1-1469492-3 Product Details



1-1469492-3

TE Internal Number: 1-1469492-3



MULTIGIG RT, RT 2 and RT 2R Connectors and Accessories

 Always EU RoHS/ELV Compliant (Statement of Compliance)

Product Highlights:

- Accessory
- Accessory Type = Guide Socket
- Industry Standard Configuration = VITA 46
- Right Angle Mount Angle
- 1 Keys

Documentation & Additional Information

Product Drawings:

- [MULTIGIG GUIDE MODULE/STANDOFF, RIGHT ANGLE, 20.3mm,...](#) (PDF, English)

Catalog Pages/Data Sheets:

- [High Speed Backplane Connectors catalog - MULTIGIG R...](#) (PDF, English)
- [POWER_CONNECTORS_CATALOG_SEC01_BOARD_TO_BOARD](#) (PDF, English)
- [2_PIECE_POWER_CONNECTORS_qrg_4-1773458-1](#) (PDF, English)
- [MULTIGIG RT Connector Products for VITA 46 \(VPX\) Sta...](#) (PDF, English)

Product Specifications:

- None Available

Application Specifications:

- None Available

Instruction Sheets:

- None Available

CAD Files: [\(CAD Format & Compression Information\)](#)

- [2D Drawing](#) (DXF, Version E)
- [3D Model](#) (IGES, Version E)
- [3D Model](#) (STEP, Version E)

Additional Information:

- [Product Line Information](#)

Related Products:

- [Tooling](#)

Product Features (Please use the Product Drawing for all design activity)

Product Type Features:

- Product Type = Accessory
- Accessory Type = Guide Socket
- Mount Angle = Right Angle
- Series = None
- Finish = Silver

Body Features:

- Used With = VITA 46 3U & 6U 9mm Daughtercard

Housing Features:

- Housing Material = Zinc Alloy

Configuration Features:

- Number of Keys = 1
- Key Orientation 1 (°) = 90

Industry Standards:

- Industry Standard Configuration = VITA 46
- VITA 66.1 = No
- RoHS/ELV Compliance = RoHS compliant, ELV compliant
- Lead Free Solder Processes = Not relevant for lead free process
- RoHS/ELV Compliance History = Always was RoHS compliant

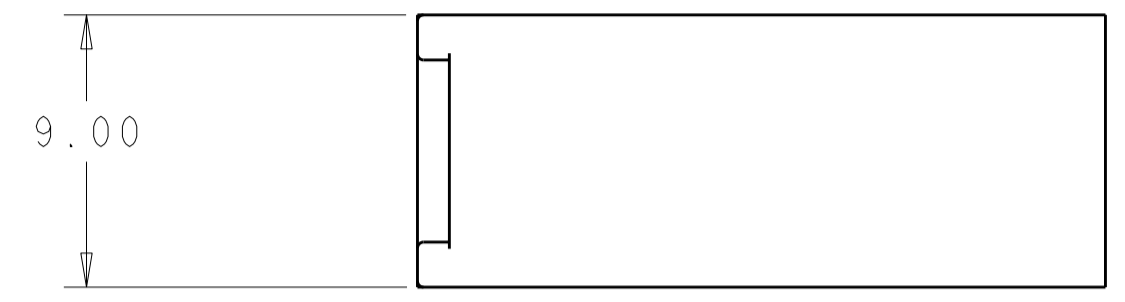
Other:

- Brand = TE Connectivity

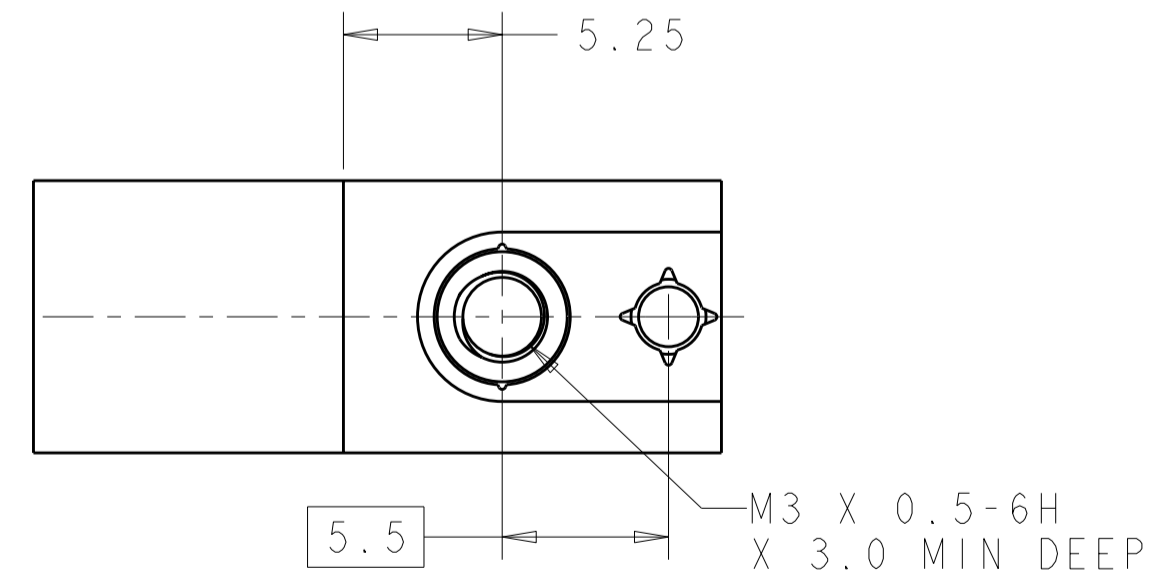
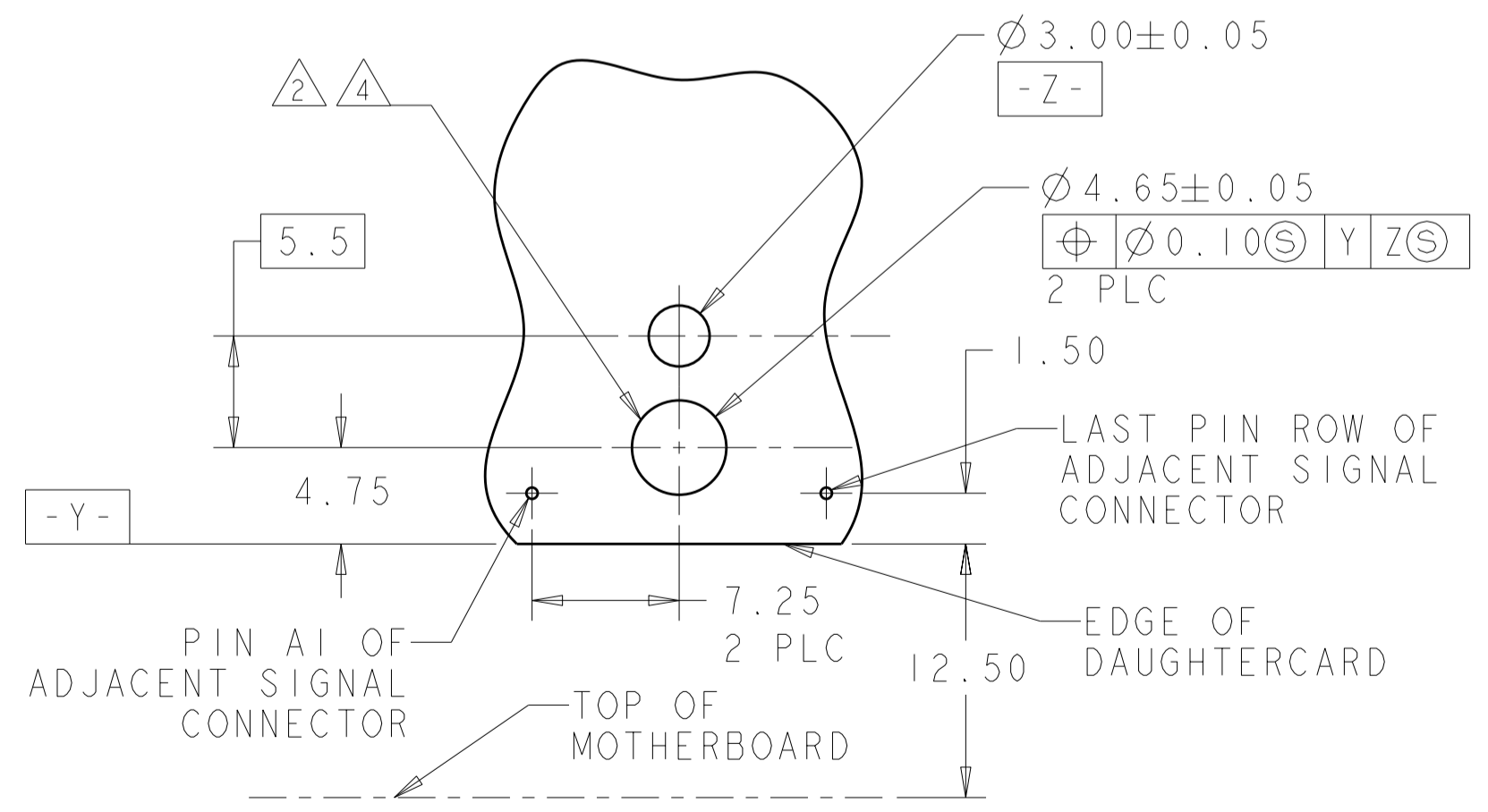
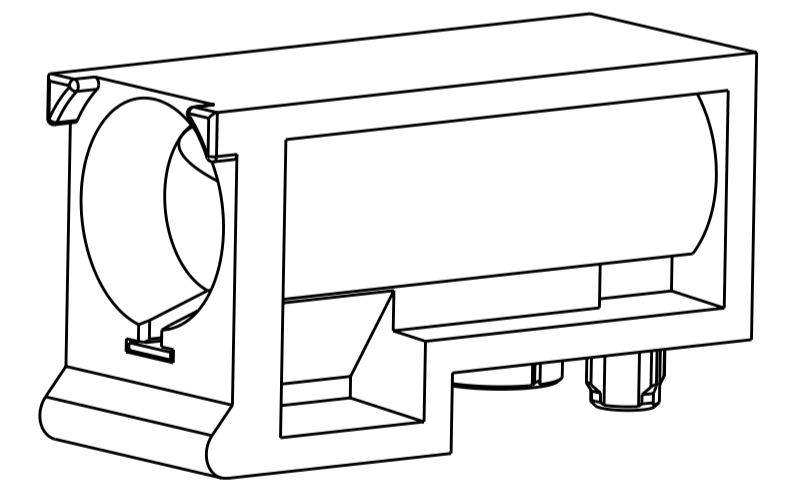
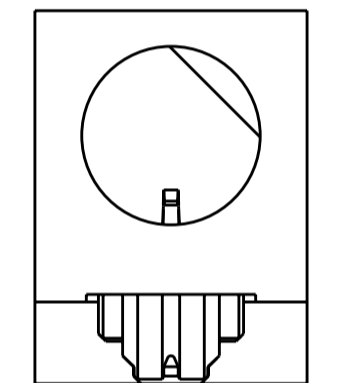
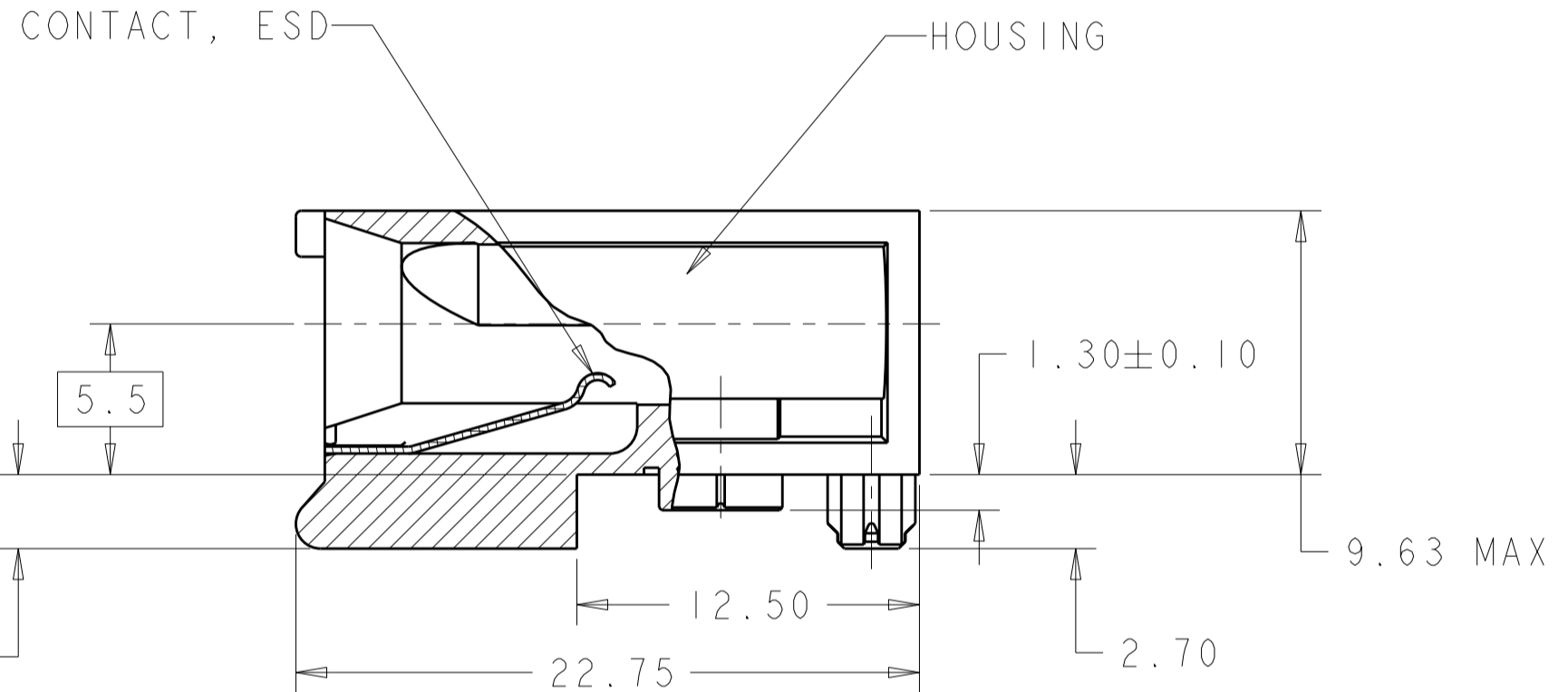
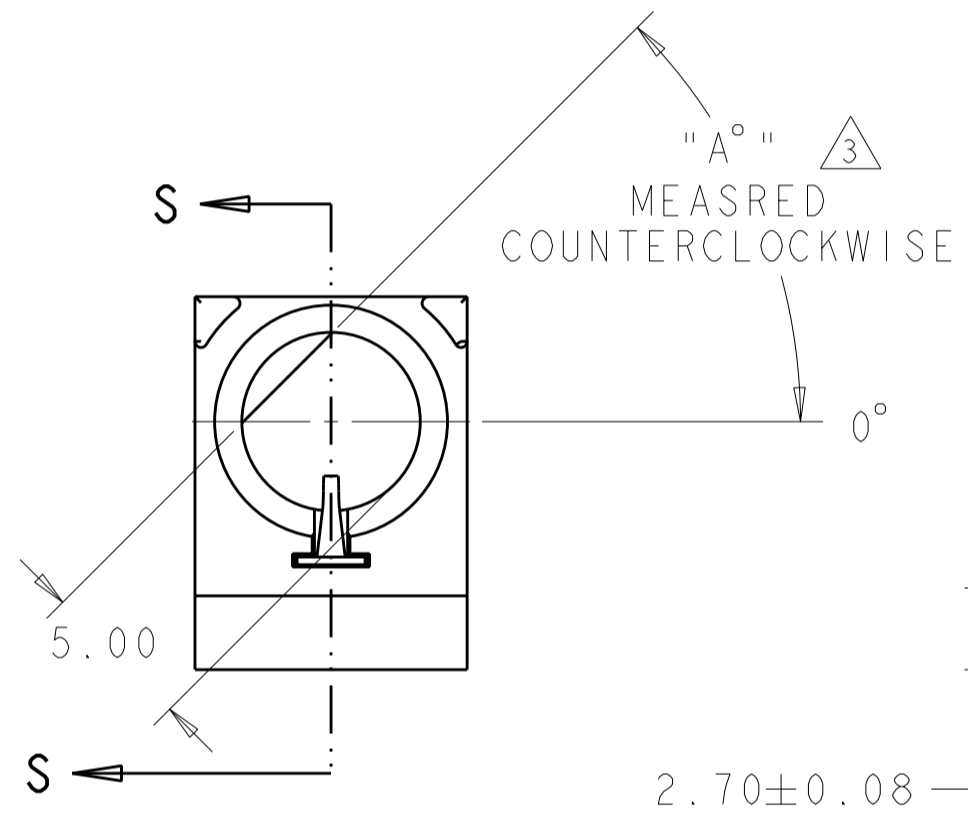
THIS DRAWING IS UNPUBLISHED. RELEASED FOR PUBLICATION 20
 © COPYRIGHT 20 BY - ALL RIGHTS RESERVED.

LOC	DIST	REVISIONS			
P	LTR	DESCRIPTION	DATE	DWN	APVD
AD	00	E	REVISED PER ECO-11-016268	30AUG2011	HMR AS

PART NO.	"A°"	HOUSING	CONTACT
1-1469492-1	0°	△5	△6
1-1469492-2	45°	△5	△6
1-1469492-3	90°	△5	△6
1-1469492-7	270°	△5	△6
1-1469492-8	315°	△5	△6
1-1469492-9	△7	△5	△6



- △1 MATERIAL: HOUSING: ZINC ALLOY DIE CASTING, ZAMAK 3; CONTACT: PHOSPHOR BRONZE
- △2 HOLE FOR POSITIVE RETENTION SCREW.
- △3 DASH NUMBERS INDICATE KEY ORIENTATION (P/N 1469492-2 SHOWN ON DRAWING)
- △4 GROUND PAD Ø5mm ON BOTH SIDE OF PCB.
- △5 FINISH: SILVER OVER NICKEL OVER COPPER
- △6 CONTACT FINISH: 3.81µm MINIMUM SILVER IN CONTACT AREA OVER 1.27µm MINIMUM NICKEL ALL OVER
- △7 GUIDE MODULE W/O KEYING; GUIDE PIN 1469491 SERIES MUST BE ORIENTED TO PROVIDE PROPER ESD PERFORMANCE



1469492
PART NO

THIS DRAWING IS A CONTROLLED DOCUMENT.		DWN R.TREA 24FEB2004	STE TE Connectivity	
DIMENSIONS: mm		CHK B.PATERSON 24FEB2004		
TOLERANCES UNLESS OTHERWISE SPECIFIED:		APVD G.GRIFFITH 24FEB2004	NAME MULTIGIG GUIDE MODULE/STANDOFF, RIGHT ANGLE, 20.3mm, DAUGHTERCARD 7ROW	
0 PLC ±0.5		PRODUCT SPEC 108-2072	SIZE CAGE CODE DRAWING NO	
1 PLC ±0.13		APPLICATION SPEC 114-13056	A200779C-1469492	
2 PLC ±0.1		WEIGHT -	RESTRICTED TO -	
3 PLC ±0.0001		CUSTOMER DRAWING	SCALE 4:1 SHEET OF REV E	
4 PLC ANGLES ±				
FINISH △5 △6				