

## 1-1469492-9 Product Details

[Share](#) [Print](#) [Email](#)




**1-1469492-9**

TE Internal Number: 1-1469492-9

 Active

[View 3D PDF](#)

### MULTIGIG RT, RT 2 and RT 2R Connectors and Accessories

 Always EU RoHS/ELV Compliant  
(Statement of Compliance)

#### Product Highlights:

- Accessory
- Accessory Type = Guide Socket
- Industry Standard Configuration = VITA 46
- Right Angle Mount Angle
- 0 Keys

[View all Features](#)

#### Quick Links

- ▶ [Pricing & Availability](#)
- ▶ [Search for Tooling](#)
- ▶ [Product Feature Selector](#)
- ▶ [Contact Us About This Product](#)

[Add to My Part List](#)

[Request Sample](#)

[Find Similar Products](#)

[Buy Product](#)

### Documentation & Additional Information

#### Product Drawings:

- [MULTIGIG GUIDE MODULE/STANDOFF, RIGHT ANGLE, 20.3mm,...](#) (PDF, English)

#### Catalog Pages/Data Sheets:

- [High Speed Backplane Connectors catalog - MULTIGIG R...](#) (PDF, English)
- [POWER\\_CONNECTORS\\_CATALOG\\_SEC01\\_BOARD\\_TO\\_BOARD](#) (PDF, English)
- [2\\_PIECE\\_POWER\\_CONNECTORS\\_qrg\\_4-1773458-1](#) (PDF, English)
- [MULTIGIG RT Connector Products for VITA 46 \(VPX\) Sta...](#) (PDF, English)

#### Product Specifications:

- None Available

#### Application Specifications:

- None Available

#### Instruction Sheets:

- None Available

#### CAD Files: (CAD Format & Compression Information)

- [2D Drawing](#) (DXF, Version E)
- [3D Model](#) (IGES, Version E)
- [3D Model](#) (STEP, Version E)

[List all Documents](#)

#### Additional Information:

- [Product Line Information](#)

#### Related Products:

- [Tooling](#)

### Product Features (Please use the Product Drawing for all design activity)

#### Product Type Features:

- Product Type = Accessory
- Accessory Type = Guide Socket
- [Mount Angle](#) = Right Angle
- Finish = Silver

#### Body Features:

- [Used With](#) = VITA 46 3U & 6U 9mm Daughtercard

#### Housing Features:

#### Configuration Features:

- [Number of Keys](#) = 0

#### Industry Standards:

- Industry Standard Configuration = VITA 46
- VITA 66.1 = No
- [RoHS/ELV Compliance](#) = RoHS compliant, ELV compliant
- [Lead Free Solder Processes](#) = Not relevant for lead free process

- Housing Material = Zinc Alloy

- RoHS/ELV Compliance History = Always was RoHS compliant

**Other:**

- Series = None
- Brand = TE Connectivity
- Comment = Guide module w/o keying. Guide pin 1469491 series must be oriented to provide proper ESD performance.

---

### Corporate Information

- [About TE](#)
- [Investors](#)
- [News Room](#)
- [Supplier Portal](#)
- [Careers](#)
- [Terms & Conditions](#)
- [Privacy Policy](#)
- [AODA Accessibility Policy](#)
- [AODA Multi-Year Accessibility Plan](#)

### Quick Links

- [Distributor Inventory](#)
- [Product Cross Reference](#)
- [Documents & Drawings](#)
- [Product Compliance Support Center](#)
- [Site Map](#)

### Customer Support

- [Email or Chat With Us](#)
- [Find a Phone Number](#)
- [Knowledge Base](#)
- [Manage Your Account](#)

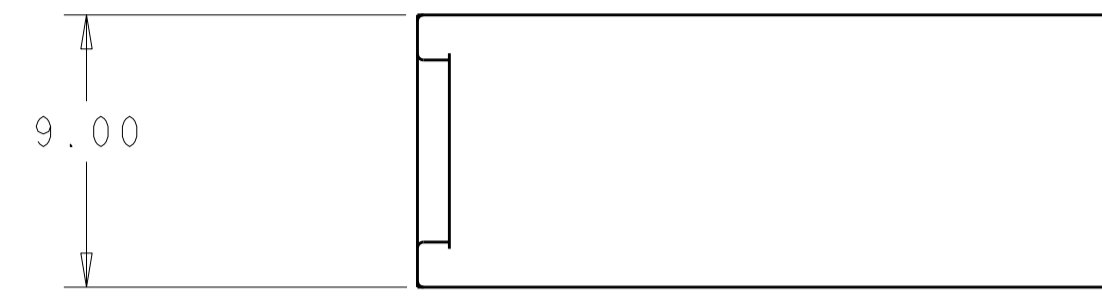
### Keep Me Informed



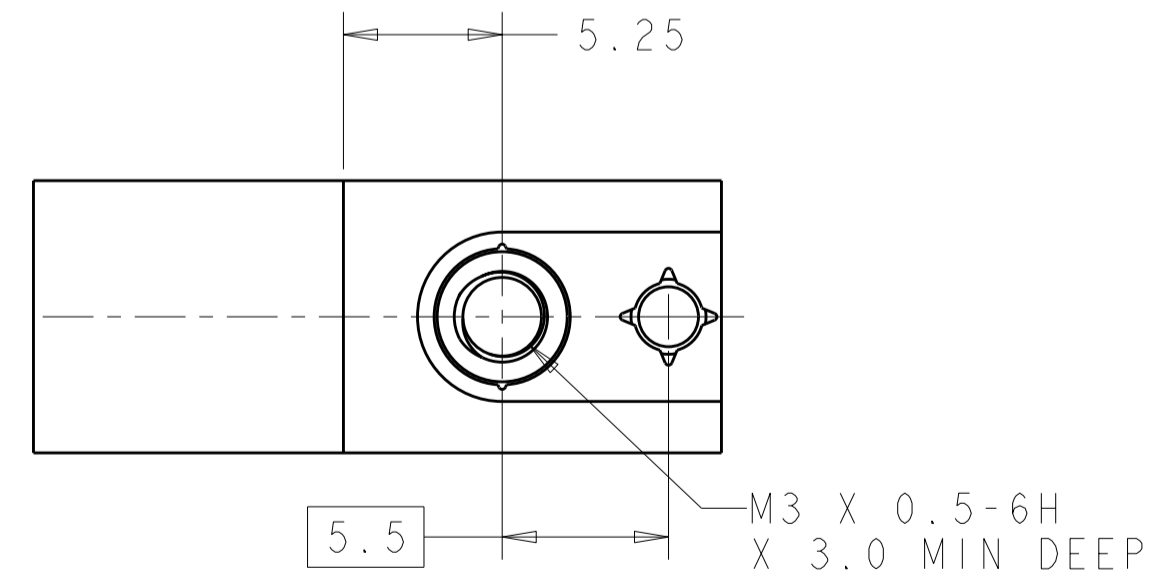
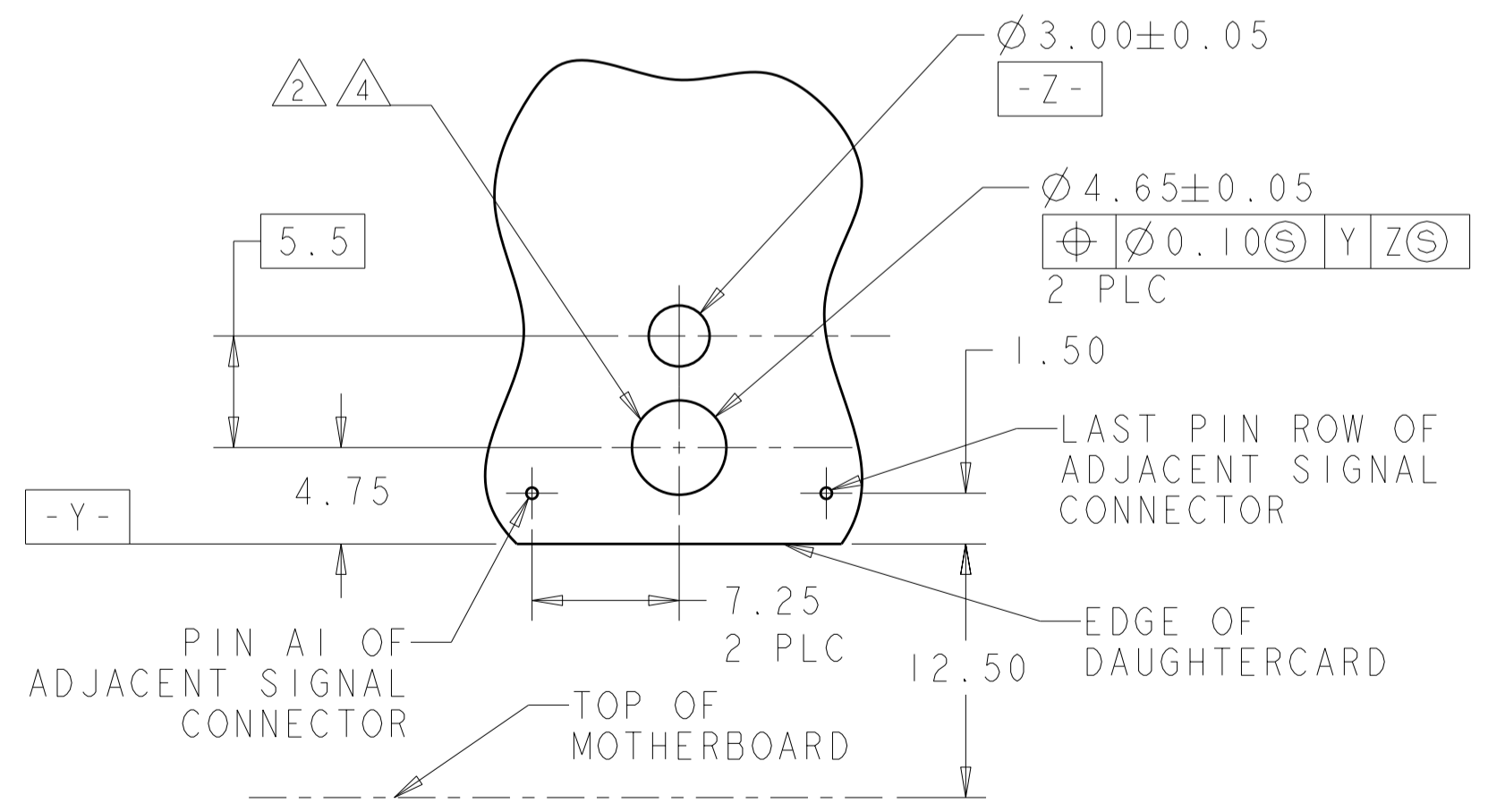
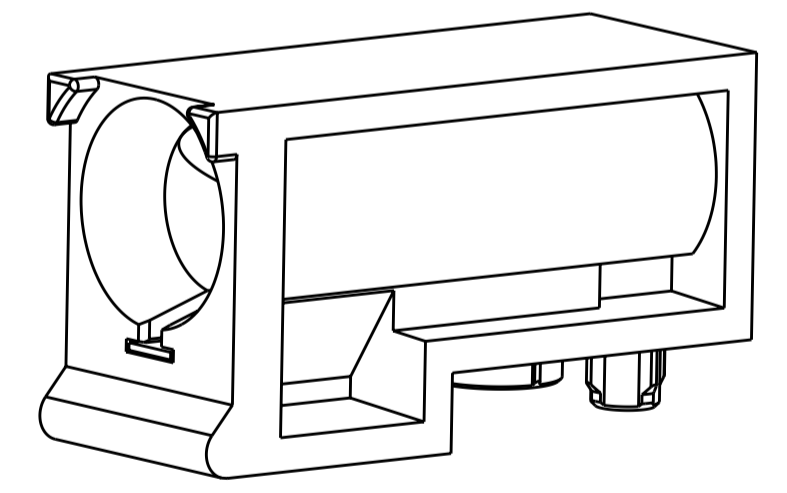
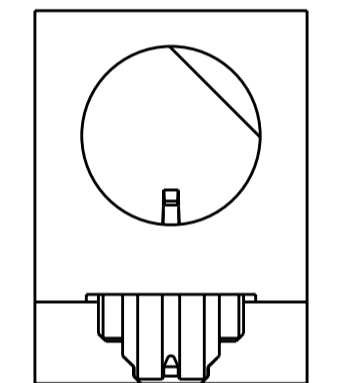
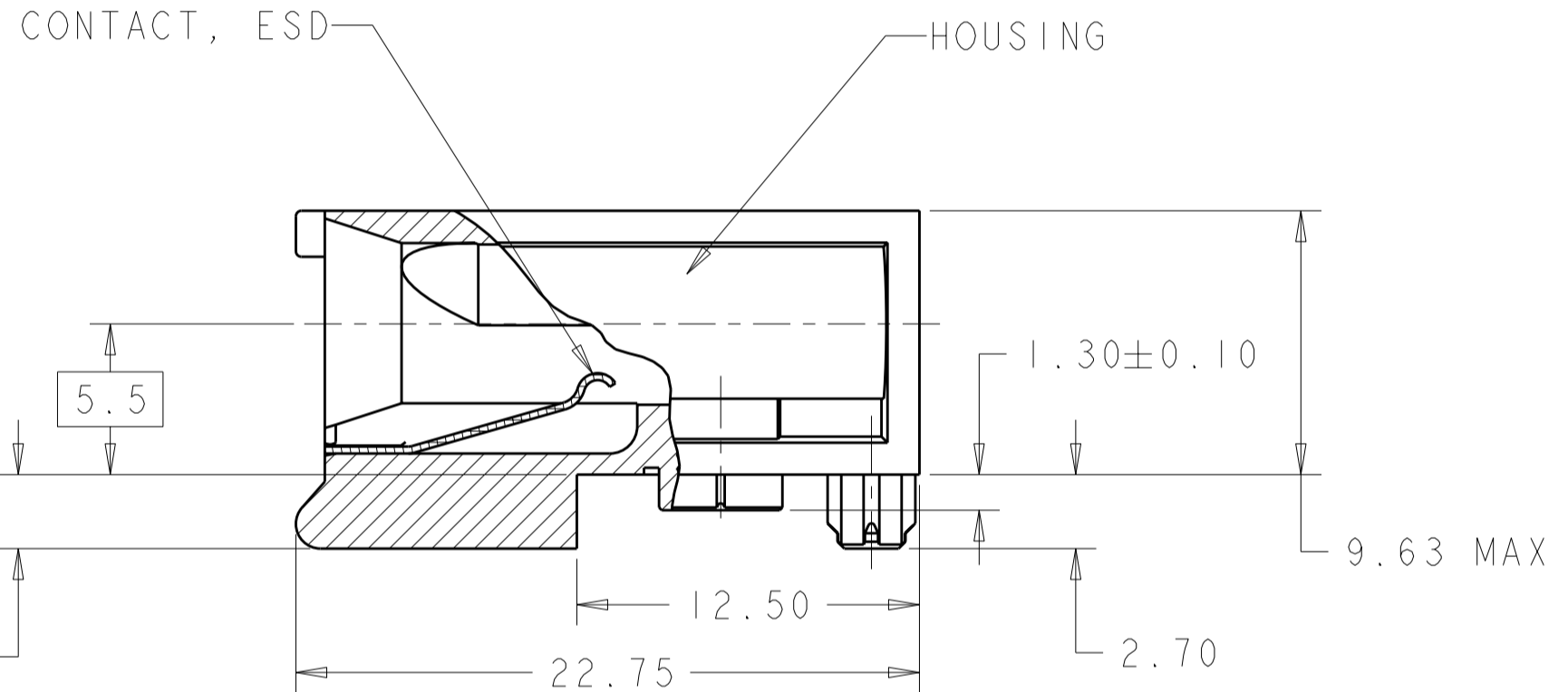
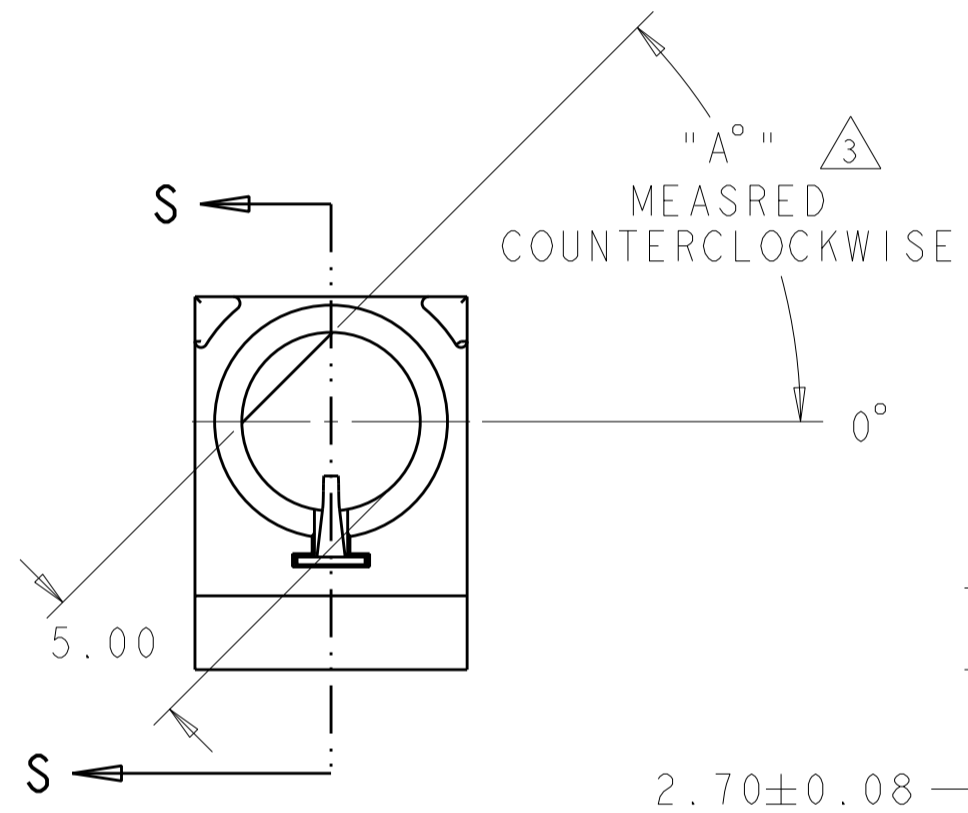
THIS DRAWING IS UNPUBLISHED. RELEASED FOR PUBLICATION 20  
 © COPYRIGHT 20 BY - ALL RIGHTS RESERVED.

LOC	DIST	REVISIONS			
P	LTR	DESCRIPTION	DATE	DWN	APVD
AD	00	E	REVISED PER ECO-11-016268	30AUG2011	HMR AS

PART NO.	"A°"	HOUSING	CONTACT
1-1469492-1	0°	△5	△6
1-1469492-2	45°	△5	△6
1-1469492-3	90°	△5	△6
1-1469492-7	270°	△5	△6
1-1469492-8	315°	△5	△6
1-1469492-9	△7	△5	△6



- △1 MATERIAL: HOUSING: ZINC ALLOY DIE CASTING, ZAMAK 3; CONTACT: PHOSPHOR BRONZE
- △2 HOLE FOR POSITIVE RETENTION SCREW.
- △3 DASH NUMBERS INDICATE KEY ORIENTATION (P/N 1469492-2 SHOWN ON DRAWING)
- △4 GROUND PAD Ø5mm ON BOTH SIDE OF PCB.
- △5 FINISH: SILVER OVER NICKEL OVER COPPER
- △6 CONTACT FINISH: 3.81µm MINIMUM SILVER IN CONTACT AREA OVER 1.27µm MINIMUM NICKEL ALL OVER
- △7 GUIDE MODULE W/O KEYING; GUIDE PIN 1469491 SERIES MUST BE ORIENTED TO PROVIDE PROPER ESD PERFORMANCE



1469492  
PART NO

THIS DRAWING IS A CONTROLLED DOCUMENT.		DWN R.TREA 24FEB2004	<b>STE</b> TE Connectivity	
DIMENSIONS: mm		CHK B.PATERSON 24FEB2004		
TOLERANCES UNLESS OTHERWISE SPECIFIED:		APVD G.GRIFFITH 24FEB2004	NAME MULTIGIG GUIDE MODULE/STANDOFF, RIGHT ANGLE, 20.3mm, DAUGHTERCARD 7ROW	
0 PLC ±0.5		PRODUCT SPEC 108-2072	SIZE CAGE CODE DRAWING NO	
1 PLC ±0.13		APPLICATION SPEC 114-13056	A200779C-1469492	
2 PLC ±0.1		WEIGHT -	RESTRICTED TO -	
3 PLC ±0.0001		CUSTOMER DRAWING	SCALE 4:1 SHEET OF REV E	
4 PLC ANGLES ±				
FINISH △5 △6				