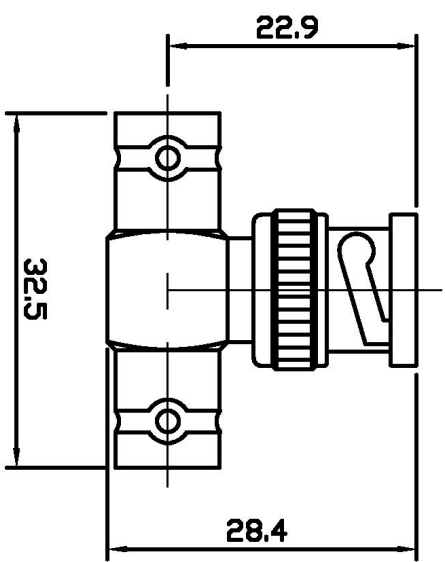


LOC	DIST	REV	DESCRIPTION	DATE	OWN	APPD
E	B	P				
A		A	RELEASE FOR PRODUCTION	04-09-01	RG	FWK



ALL DIMENSIONS ARE NOMINAL FOR REFERENCE ONLY.

HANDTOOL PART NUMBER	N/A
FOR USE ON CABLES	N/A
CONNECTOR PLATING DETAIL	SILVER
CONTACT PLATING DETAIL	SILVER
DIELECTRIC MATERIAL	PTFE
GASKET MATERIAL	WHITE SILICONE RUBBER

THIS DRAWING IS A CONTROLLED DOCUMENT.	
DIMENSIONS:	MM
TOLERANCES UNLESS OTHERWISE SPECIFIED:	
0 PLG	±
1 PLG	±
2 PLG	±
3 PLG	±
4 PLG	±
FINISH	±

DMN	R GOODALL	04-09-01
CHK	F.W.-KING	04-09-01
APD	F.W.-KING	04-09-01
PRODUCT SPEC	108-3435	
APPLICATION SPEC		
WEIGHT		

DMN	R GOODALL	04-09-01
CHK	F.W.-KING	04-09-01
APD	F.W.-KING	04-09-01
PRODUCT SPEC	108-3435	
APPLICATION SPEC		
WEIGHT		

BAG	PACK TYPE	SINGLE ITEM	1-1478039-0
	DESCRIPTION		
	PART NUMBER		

tyco
Electronics
 Tyco Electronics Corporation
 Stamford, Middlesex, HA7 4RS

SIZE	A3	CAGE CODE	00779	DRAWING NO	1478039	RESTRICTED TO
SCALE	NTS	SHEET	1	OF	1	REV
						A