

4

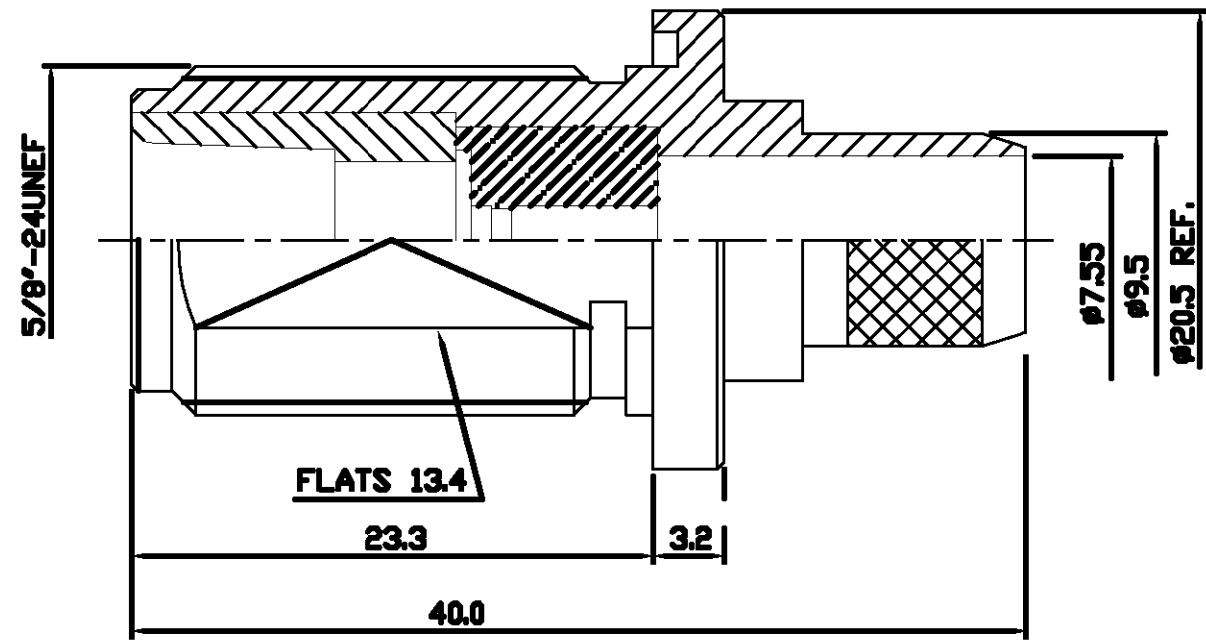
3

2

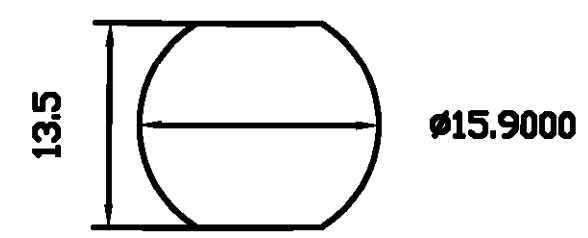
1

THIS DRAWING IS UNPUBLISHED. RELEASED FOR PUBLICATION 5-9-01.  
 © COPYRIGHT 2001 BY TYCO ELECTRONICS CORPORATION. ALL RIGHTS RESERVED.

LOC	DIST	REVISIONS			
P	LTR	DESCRIPTION	DATE	DWN	APVD
E	B	A	RELEASE FOR PRODUCTION	5-9-01	RG FWK



⚠ SUPPLIED SEMI-ASSEMBLED (PACK CONTAINS LOOSE PIECES)  
 VIEW SHOWS BODY ASSEMBLY ONLY.  
 FOR CABLE TO CONNECTOR ASSEMBLY GUIDANCE  
 REFER TO TYCO INSTRUCTION SHEET I.S 411 - 3247



RECOMMENDED PANEL CUT OUT DIMENSIONS

**ALL DIMENSIONS ARE NOMINAL. FOR REFERENCE ONLY.**

DIE SET PART NUMBER	9-1478246-0
HANDTOOL PART NUMBER	9-1478240-0
FOR USE ON CABLES	PSF 1/4M , RG8A/U , 213/U , URM67
CONNECTOR PLATING DETAIL	SILVER
CONTACT PLATING DETAIL	SILVER
DIELECTRIC MATERIAL	TEFLON
GASKET MATERIAL	WHITE SILICONE RUBBER

THIS DRAWING IS A CONTROLLED DOCUMENT.		DWN	R GOODALL	5-9-01	Tyco Electronics Corporation Stanmore, Middlesex, HA7 4RS		
DIMENSIONS: MM		CHK	F W-KING	5-9-01	NAME TYPE N B/HEAD JACK CRIMP 50 OHM		
TOLERANCES UNLESS OTHERWISE SPECIFIED:		APVD	F W-KING	5-9-01	SIZE A3		
0 PLC ± -		PRODUCT SPEC		CAGE CODE		DRAWING NO	RESTRICTED TO
1 PLC ± -		108-3435		00779		C-1478213	-
2 PLC ± -		APPLICATION SPEC		WEIGHT		SCALE	
3 PLC ± -		-		-		NTS	
4 PLC ± -		CUSTOMER DRAWING		SHEET		1 OF 1	REV
ANGLES ± -		-		-		A	
MATERIAL		-		-		-	
FINISH		-		-		-	