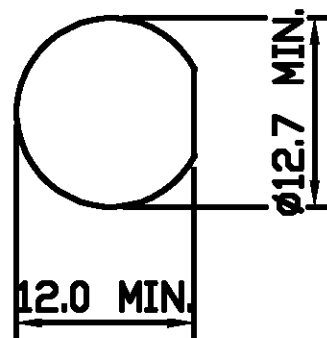
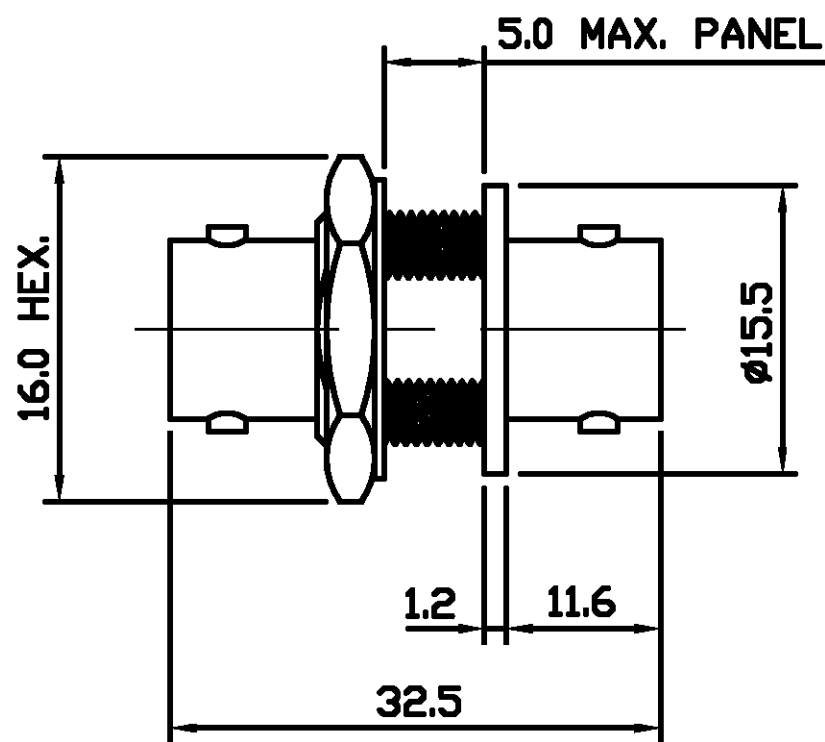


THIS DRAWING IS UNPUBLISHED. RELEASED FOR PUBLICATION 12-9-01, 12-9-01
 © COPYRIGHT 2001 BY TYCO ELECTRONICS CORPORATION. ALL RIGHTS RESERVED.

LOC		DIST		REVISIONS			
P	LTR	DESCRIPTION		DATE	DWN	APVD	
	A	RELEASE FOR PRODUCTION		12-9-01	RG	FWK	



RECOMMENDED CUT-OUT DIMENSIONS

1. SUPPLIED SEMI-ASSEMBLED (PACK CONTAINS LOOSE PIECES)

ALL DIMENSIONS ARE NOMINAL. FOR REFERENCE ONLY.

PACK TYPE	DESCRIPTION	PART NUMBER
TRAY	100 ITEMS PER TRAY	6-147238-0
BAG	SINGLE ITEM	1-147238-0

HANDTOOL PART NUMBER	N/A
FOR USE ON CABLES	N/A
CONNECTOR PLATING DETAIL	NICKEL
CONTACT PLATING DETAIL	GOLD
DIELECTRIC MATERIAL	TEFLON
GASKET MATERIAL	N/A

DIMENSIONS:		TOLERANCES UNLESS OTHERWISE SPECIFIED:	
MM			
	0 PLC	±	
	1 PLC	±	
	2 PLC	±	
	3 PLC	± -	
	4 PLC ANGLES	± -	
MATERIAL	-	FINISH	-

DWN	R GOODALL	12-9-01
CHK	F W-KING	12-9-01
APVD	F W-KING	12-9-01
PRODUCT SPEC	108-3435	
APPLICATION SPEC	CUSTOMER DRAWING	
WEIGHT	-	

		Tyco Electronics Corporation	
		Stanmore, Middlesex, HA7 4RS	
NAME		BNC INSULATED BULKHEAD ADAPTOR JACK 75 OHM	
SIZE	CAGE CODE	DRAWING NO	RESTRICTED TO
A3	00779	C-1478238	-
SCALE		SHEET	REV
NTS		1 OF 1	A