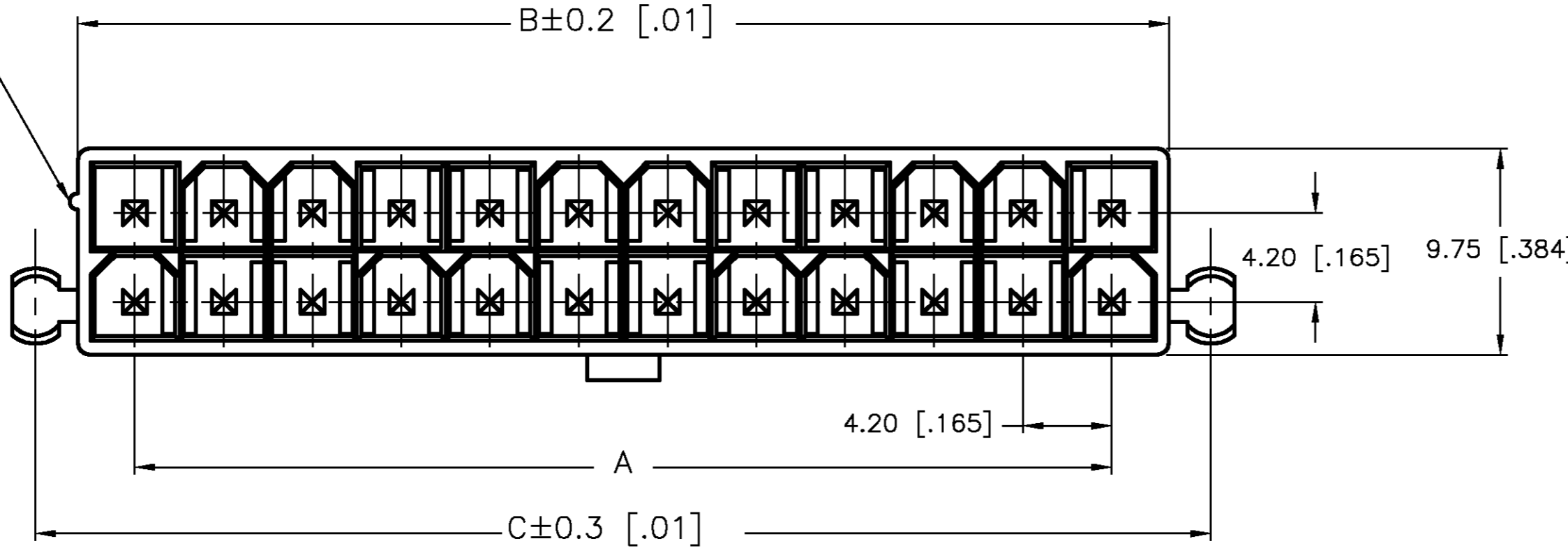


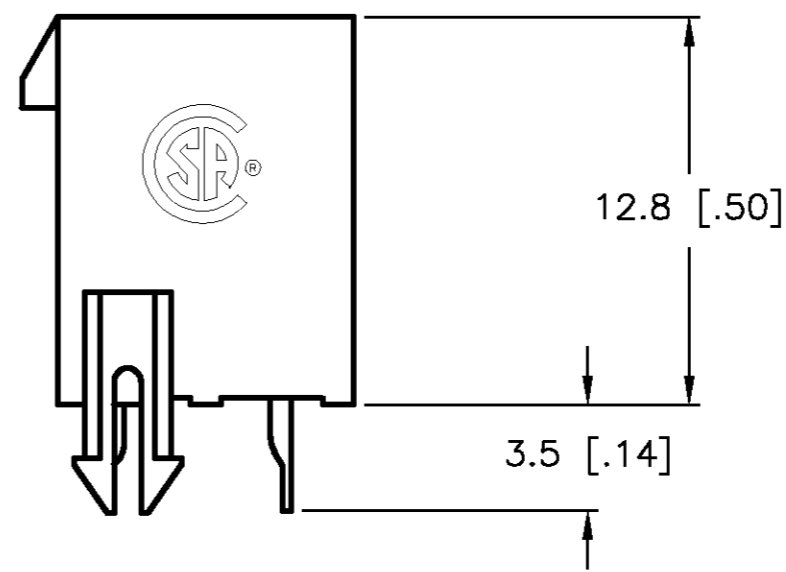
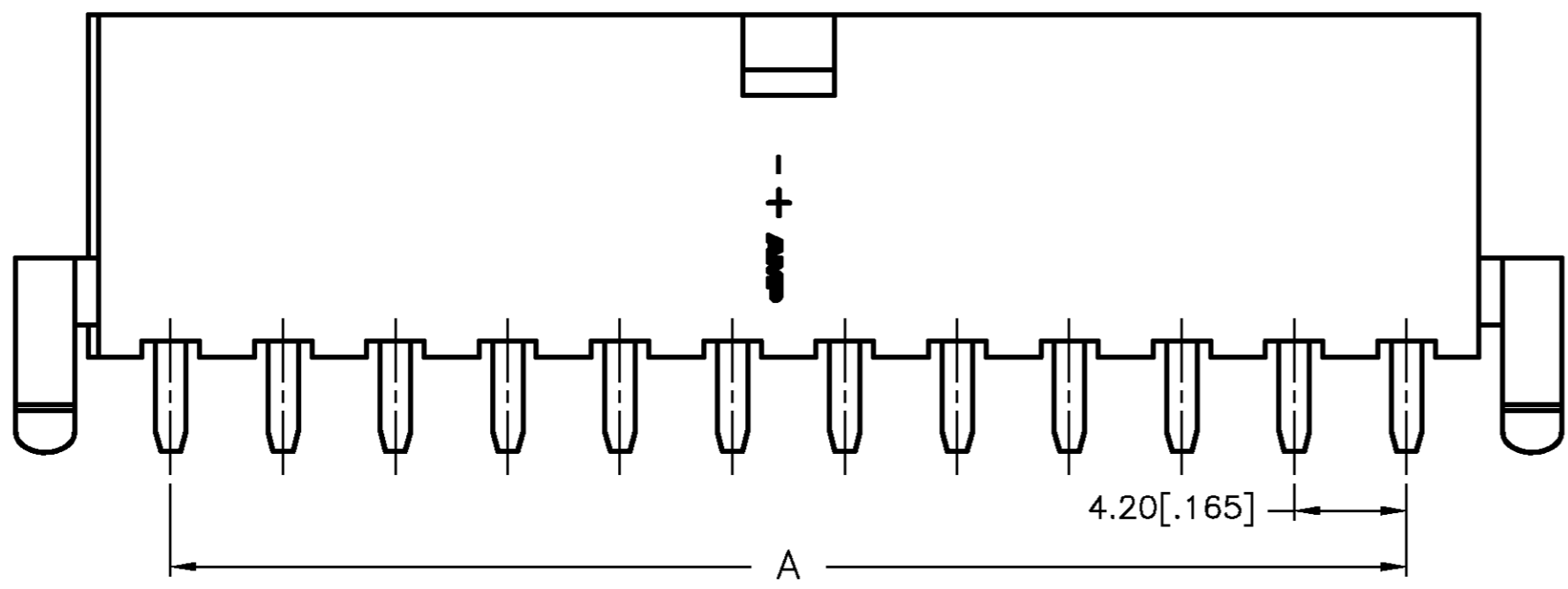
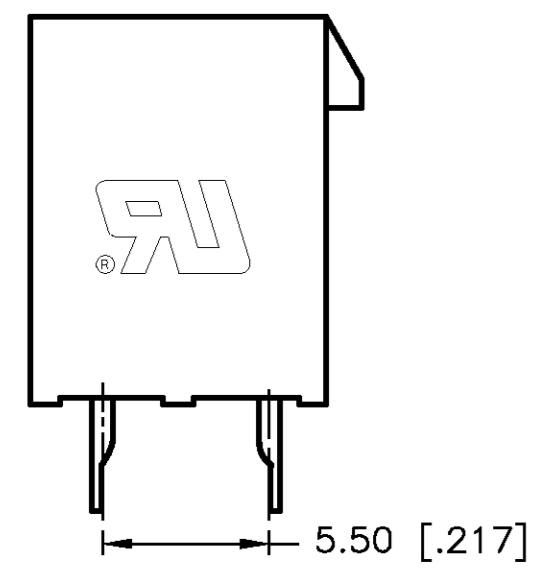
THIS DRAWING IS UNPUBLISHED. RELEASED FOR PUBLICATION
 © COPYRIGHT BY TYCO ELECTRONICS CORPORATION. ALL RIGHTS RESERVED.

LOC		DIST		REVISIONS			
P	LTR	DESCRIPTION		DATE	DWN	APVD	
0		RELEASED PER OG3B-0454-02		25-SEP-02	SH	DC	

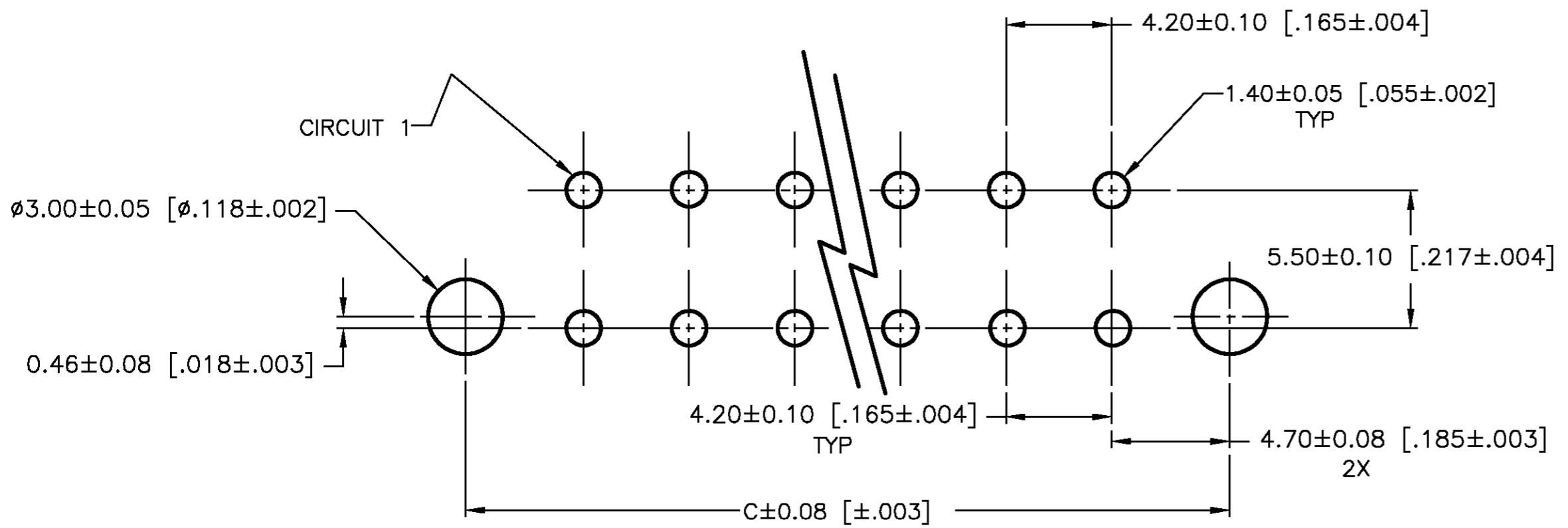
POSITION 1
IDENTIFICATION
FEATURE



△ MATERIAL: HOUSING: NYLON, UL94V-2
 CONTACTS: BRASS, TIN-PLATED



2		5.4 [.21]	9.4 [.37]	1586039-2
4	4.2 ± 0.1 [.17 ± .00]	9.6 [.38]	13.6 [.54]	1586039-4
6	8.4 ± 0.1 [.33 ± .00]	13.8 [.54]	17.8 [.70]	1586039-6
8	12.6 ± 0.1 [.50 ± .00]	18.0 [.71]	22.0 [.87]	1586039-8
10	16.8 ± 0.1 [.66 ± .00]	22.2 [.87]	26.2 [1.03]	1-1586039-0
12	21.0 ± 0.2 [.83 ± .01]	26.4 [1.04]	30.4 [1.20]	1-1586039-2
14	25.2 ± 0.2 [.99 ± .01]	30.6 [1.21]	34.6 [1.36]	1-1586039-4
16	29.4 ± 0.2 [1.16 ± .01]	34.8 [1.37]	38.8 [1.53]	1-1586039-6
18	33.6 ± 0.2 [1.32 ± .01]	39.0 [1.54]	43.0 [1.69]	1-1586039-8
20	37.8 ± 0.2 [1.49 ± .01]	43.2 [1.70]	47.2 [1.86]	2-1586039-0
22	42.0 ± 0.2 [1.65 ± .01]	47.4 [1.87]	51.4 [2.02]	2-1586039-2
24	46.2 ± 0.2 [1.82 ± .01]	51.6 [2.03]	55.6 [2.19]	2-1586039-4
POS	A	$B \pm 0.2$ [.01]	$C \pm 0.35$ [.01]	PART NUMBER



PCB LAYOUT: COMPONENT SIDE
 RECOMMENDED BOARD THICKNESS 1.78 [.070]

2-1586039-4 SHOWN

THIS DRAWING IS A CONTROLLED DOCUMENT.		DWN S. HOOVER 25-SEP-2002	Tyco Electronics Corporation Harrisburg, PA 17105-3608	
DIMENSIONS: MM [INCHES]		CHK D. COLEY 25-SEP-2002	NAME VERTICAL HEADER WITH PEGS, WITH DRAIN HOLES 4.2MM P.E. SERIES	
TOLERANCES UNLESS OTHERWISE SPECIFIED: 0 PLC ± 1 PLC ± 2 PLC ± 0.5 [.02] 3 PLC ± 0.25 [.010] 4 PLC ± 0.150 [0059]		APVD D. COLEY 25-SEP-2002	APPLICATION SPEC	
MATERIAL △		FINISH	SIZE A2	CAGE CODE 00779
CUSTOMER DRAWING		WEIGHT	DRAWING NO 1586039	RESTRICTED TO -
		SCALE	SHEET 1 OF 1	REV 0