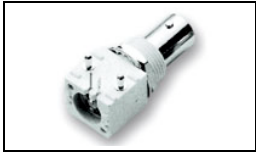


## 1-1634613-0 Product Details

[Share](#) [Print](#) [Email](#)



**1-1634613-0**

TE Internal Number: 1-1634613-0

Active

[View 3D PDF](#)

### BNC RF Connectors

Always EU RoHS/ELV Compliant (Statement of Compliance)

#### Product Highlights:

- Connector - RF
- Jack
- Connector Style = Jack
- Applies To Printed Circuit Board
- PCB Mounting Orientation = Right Angle

[View all Features](#)

### Quick Links

- ▶ [Pricing & Availability](#)
- ▶ [Search for Tooling](#)
- ▶ [Product Feature Selector](#)
- ▶ [Contact Us About This Product](#)

[Add to My Part List](#)

[Request Sample](#)

[Find Similar Products](#)

[Buy Product](#)

### Documentation & Additional Information

#### Product Drawings:

- [BNC LOW PROFILE R/A INSULATED PCB SOCKET 50 OHM BLACK](#) (PDF, English)

#### Catalog Pages/Data Sheets:

- [ZDC\\_RF\\_COAX\\_CONNECTOR\\_SERIES\\_50&75\\_OHM](#) (PDF, English)

#### Product Specifications:

- None Available

#### Application Specifications:

- None Available

#### Instruction Sheets:

- None Available

#### CAD Files: [\(CAD Format & Compression Information\)](#)

- [2D Drawing](#) (DXF, Version D)
- [3D Model](#) (IGES, Version D)
- [3D Model](#) (STEP, Version D)

#### Related Products:

- [Tooling](#)

[List all Documents](#)

### Product Features (Please use the Product Drawing for all design activity)

#### Product Type Features:

- [Product Type](#) = Connector - RF
- [Gender](#) = Jack
- [PCB Mounting Orientation](#) = Right Angle
- [Grade](#) = Commercial
- [PCB Mount Retention](#) = With
- [PCB Mount Retention Type](#) = Solder Tail (Pin)
- [Mounting Post Style](#) = Round
- [Sealed](#) = No
- [Isolated](#) = Yes
- [Dielectric Material](#) = Polyethylene
- [Color](#) = Black

#### Mechanical Attachment:

- [Surface Mountable](#) = No
- [Hardware Included](#) = No
- [Panel Mount Retention](#) = With
- [Panel Mount Retention Type](#) = Bulkhead
- [Panel Attachment Style](#) = Rear Mount
- [Panel Cutout](#) = 12.0mm x 12.9mm D-Shape

#### Electrical Characteristics:

- [Connector Impedance](#) ( $\Omega$ ) = 50

#### Dimensions:

- [PCB Height](#) (mm [in]) = 13.16 [0.518]
- [Mounting Post Length](#) (mm [in]) = 3.70 [0.146]
- [Panel Thickness](#) (mm [in]) = 1.50 - 5.50 [0.059 - 0.217]
- [PCB Tail Length](#) (mm [in]) = 4.30 [0.169]
- [PCB Thickness, Recommended](#) (mm [in]) = 3.30 [0.130]

#### Body Features:

- [Body Material](#) = Zinc
- [Body Plating](#) = Nickel
- [Body Insulation](#) = With
- [Polarized](#) = No
- [Flange and Thread Material](#) = PBT Polyester
- [Flange and Thread Material Color](#) = Black

#### Contact Features:

- [Center Contact Material](#) = Brass
- [Center Contact Plating](#) = Gold

#### Housing Features:

- [Connector Style](#) = Jack
- [Housing Material](#) = PBT - GF

#### Configuration Features:

- [Number of Ports](#) = 1

#### Industry Standards:

- [Government/Industry Qualification](#) = No
- [RoHS/ELV Compliance](#) = RoHS compliant, ELV compliant
- [Lead Free Solder Processes](#) = Wave solder capable to 260°C, Wave solder capable to 240°C, Wave solder capable to 265°C
- [RoHS/ELV Compliance History](#) = Always was RoHS compliant

#### Environmental:

- [Operating Temperature \(Max.\)](#) (°C) = 85

#### Conditions for Usage:

- [Applies To](#) = Printed Circuit Board
- [For Use With](#) = ZDC/BNC Connector

#### Packaging Features:

- [Packaging Method](#) = Individual

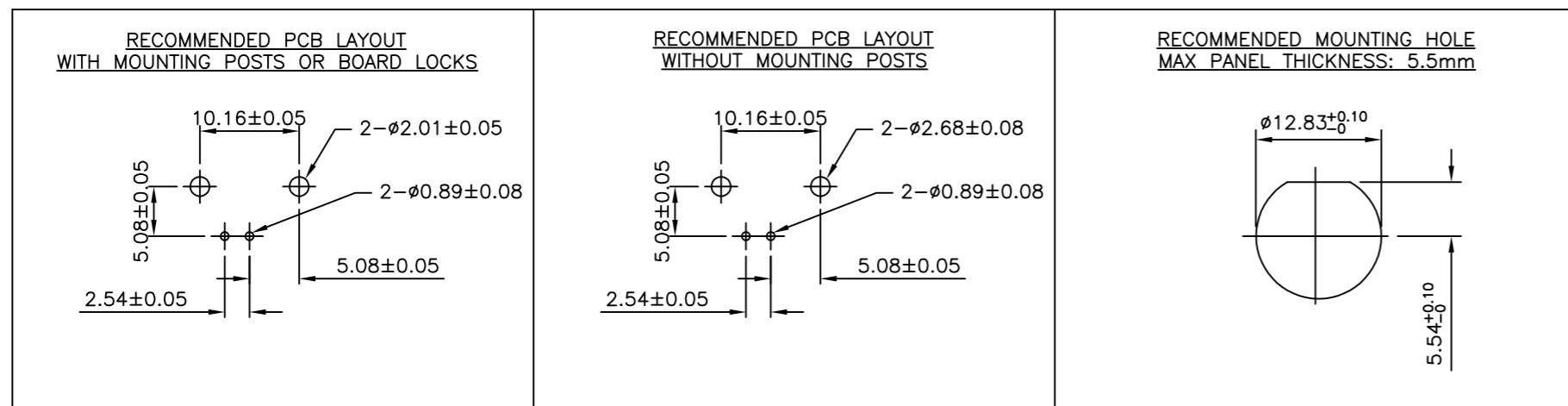
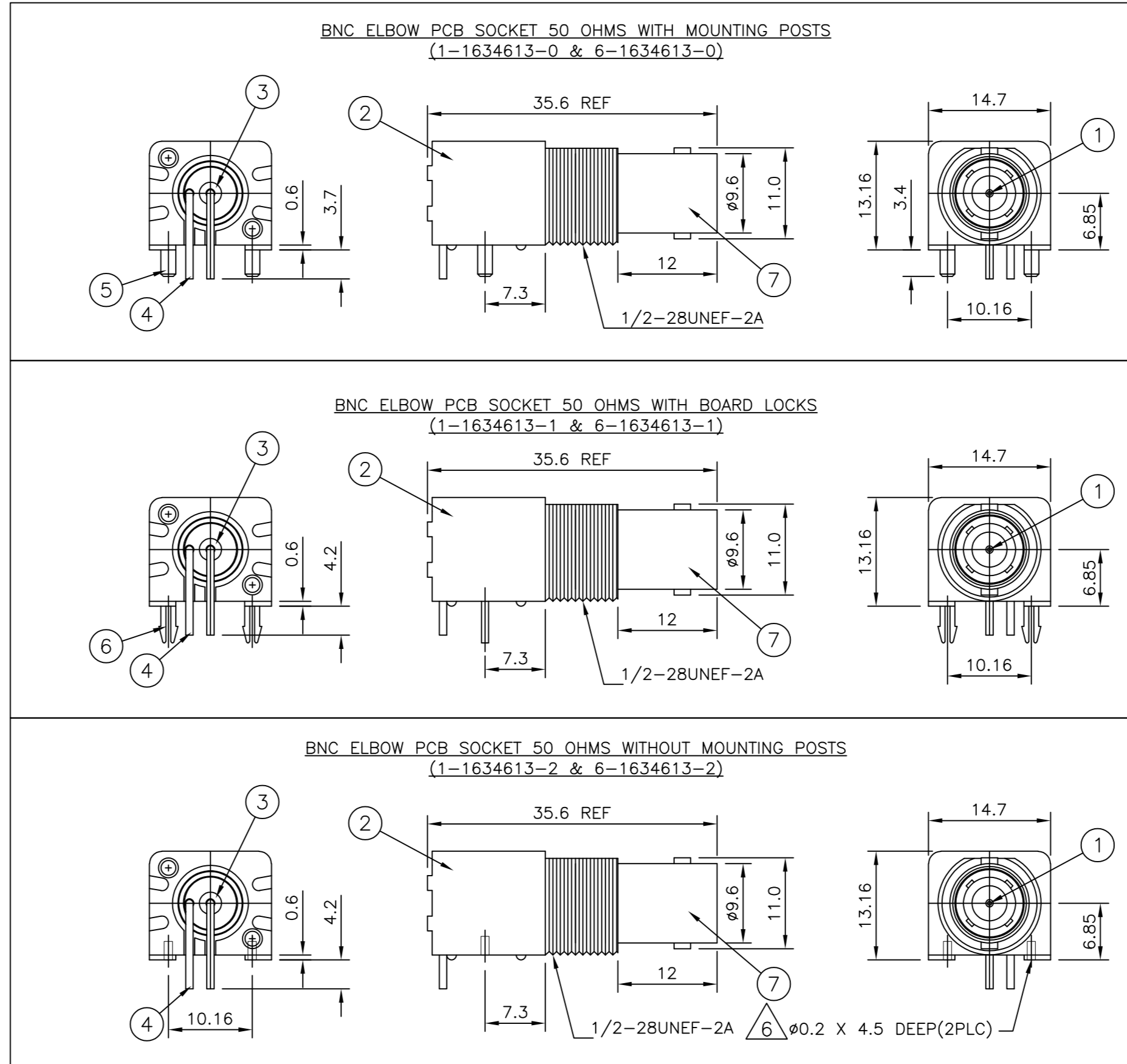
#### Other:

- [Brand](#) = AMP

THIS DRAWING IS UNPUBLISHED. RELEASED FOR PUBLICATION AUGUST ,2005.  
 © COPYRIGHT 2005 By - ALL RIGHTS RESERVED.

LOC		DIST		REVISIONS			
P	LTR	DESCRIPTION	DATE	DWN	APVD		
	D1	REVISED PER ECO-11-005033	01APR11	RK	HMR		
	E	REVISED PER ECO-12-010042	29MAY2012	TITAN	MARTIN		

- NOTES:**
- 1 SINGLE PACK IN ACCORDANCE WITH AMP SPEC 107-3275
  - 2 50 TRAY PACK IN ACCORDANCE WITH AMP SPEC 107-3275
  - 3 Au PLATING OVER Ni PLATING OVER Cu PLATING
  - 4 Ni PLATING OVER Cu PLATING
  - 5 TIN PLATING
  - 6 RECOMMENDED SELF-TAPPING SCREW 221108-4
  - 7 RECOMMENDED MOUNT NUT 1-1634816-0
  - 8 RECOMMENDED LOCKWASHER 1-1634817-0
  - 9 FOR TECHNICAL DATA REFER TO YOUR LOCAL TE CONNECTIVITY SALES OFFICE
  10. ALL DIMENSIONS ARE NOMINAL FOR REFERENCE ONLY UNLESS OTHERWISE STATED



		Obsolete	Obsolete	Obsolete				QUANTITY PER ASSY	PARTS LIST		
1	1	1	1	1	1	1	1	ZINC DIECAST	△	BODY	7
-	-	2	2	-	-	-	-	BRASS	△	BOARD LOCK	6
-	-	-	-	2	2	-	-	BRASS	△	MOUNTING POST	5
1	1	1	1	1	1	1	1	BRASS	△	SOLDER TAIL	4
1	1	1	1	1	1	1	1	PE-606		INSULATOR	3
1	1	1	1	1	1	1	1	PBT BLACK		HOUSING	2
1	1	1	1	1	1	1	1	BRASS	△	CONTACT	1
6--2	1--2	6--1	1--1	6--0	1--0			MATERIAL		DESCRIPTION	ITEM
△	△	△	△	△	△						

THIS DRAWING IS A CONTROLLED DOCUMENT.

DWN	RITA ZUO	14 Feb 09
CHK	ANSON MA	14 Feb 09
APVD	BOB ZHAO	14 Feb 09
PRODUCT SPEC	108-112000	
APPLICATION SPEC		

TE Connectivity

BNC LOW PROFILE R/A INSULATED PCB SOCKET 50 OHM BLACK

SIZE	A2	CAGE CODE	00779	DRAWING NO	C=1634613	RESTRICTED TO	-
WEIGHT	-	SCALE	NTS	SHEET	1 of 1	REV	E

CUSTOMER DRAWING