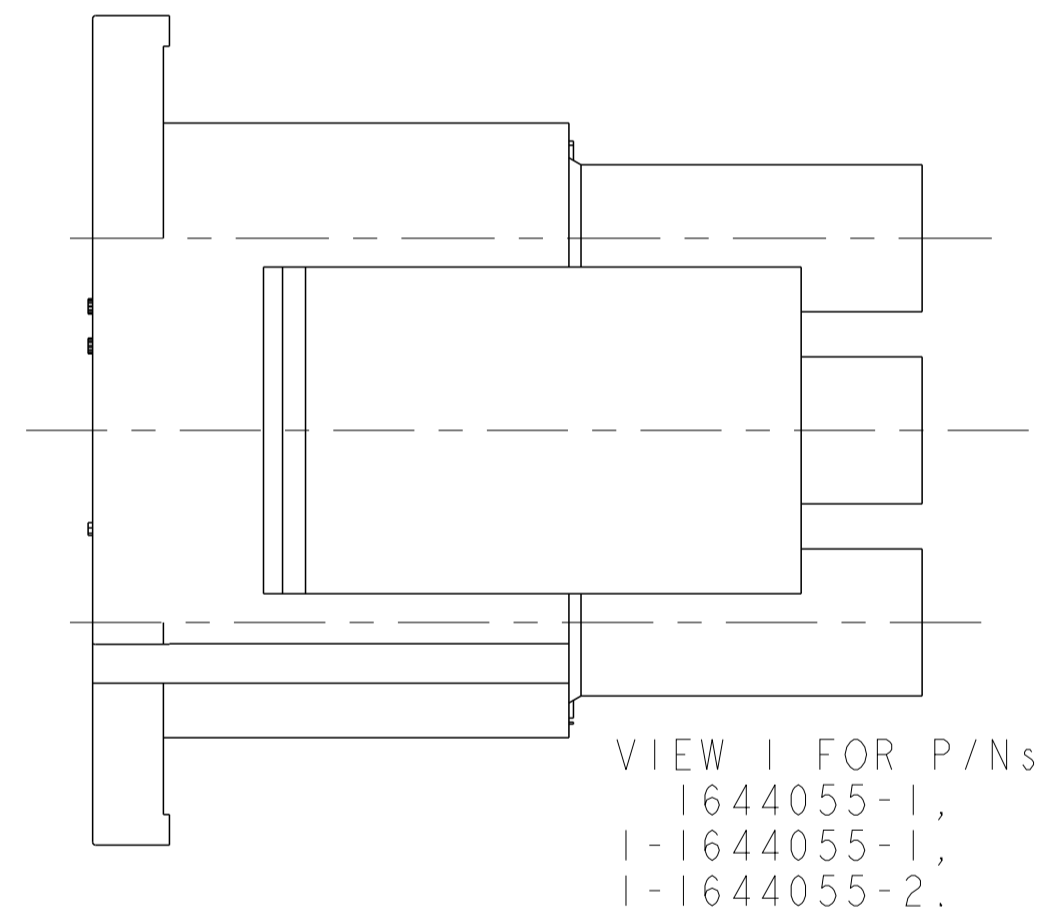
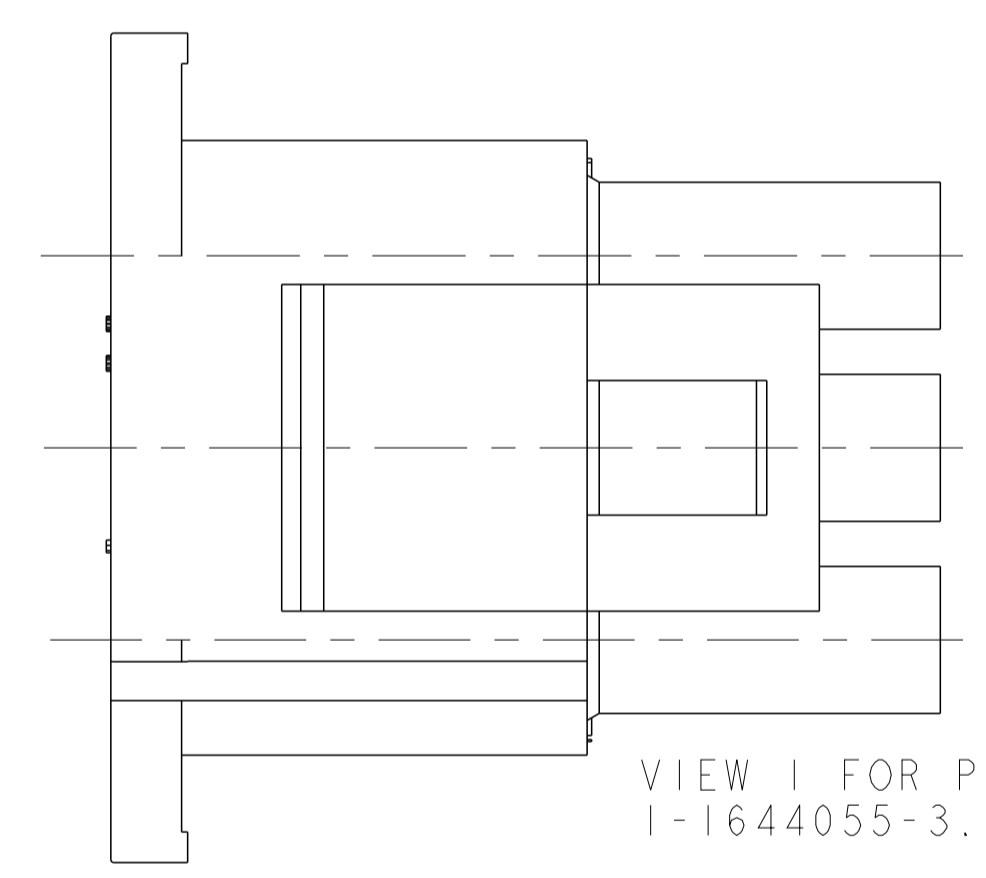
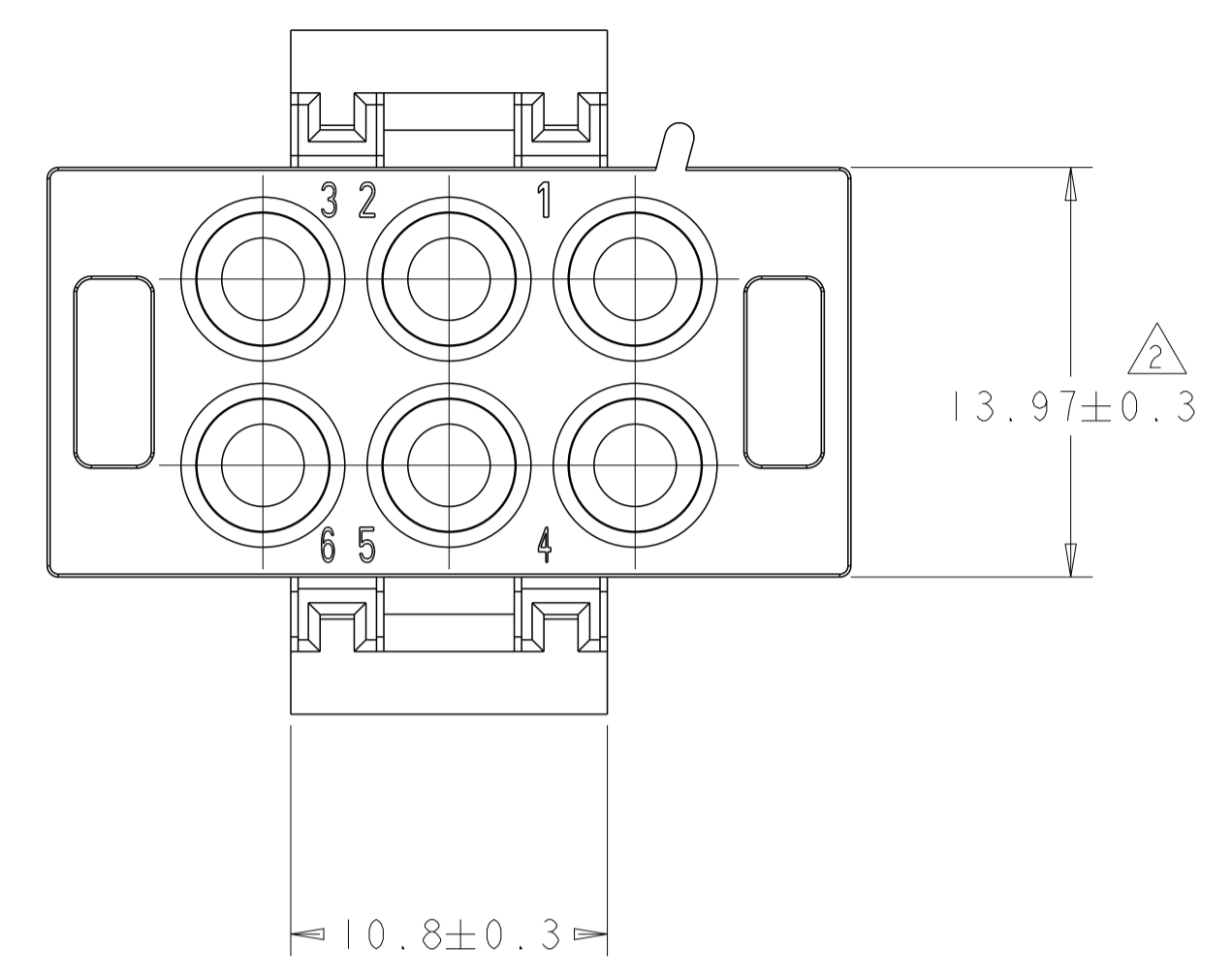
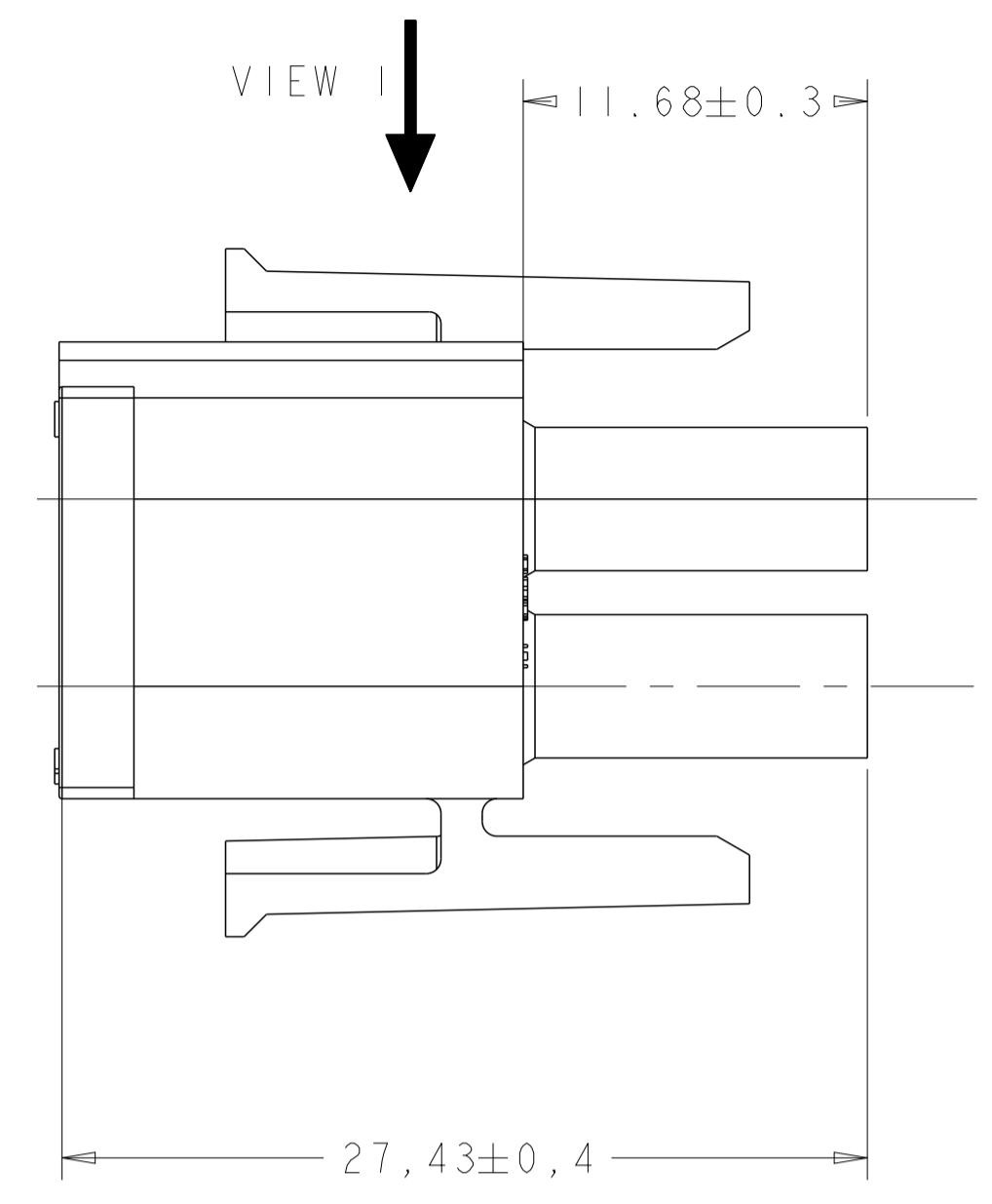
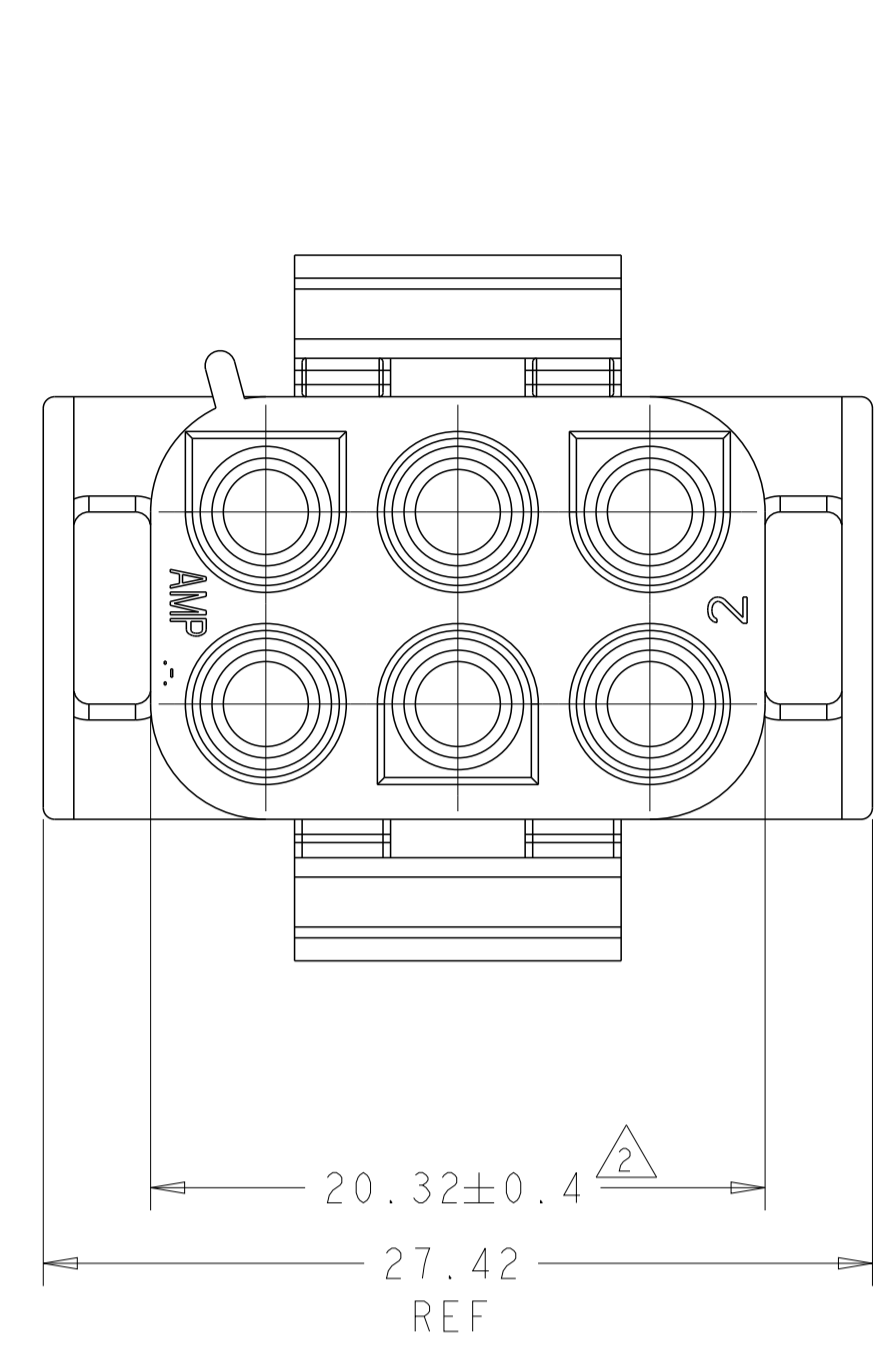
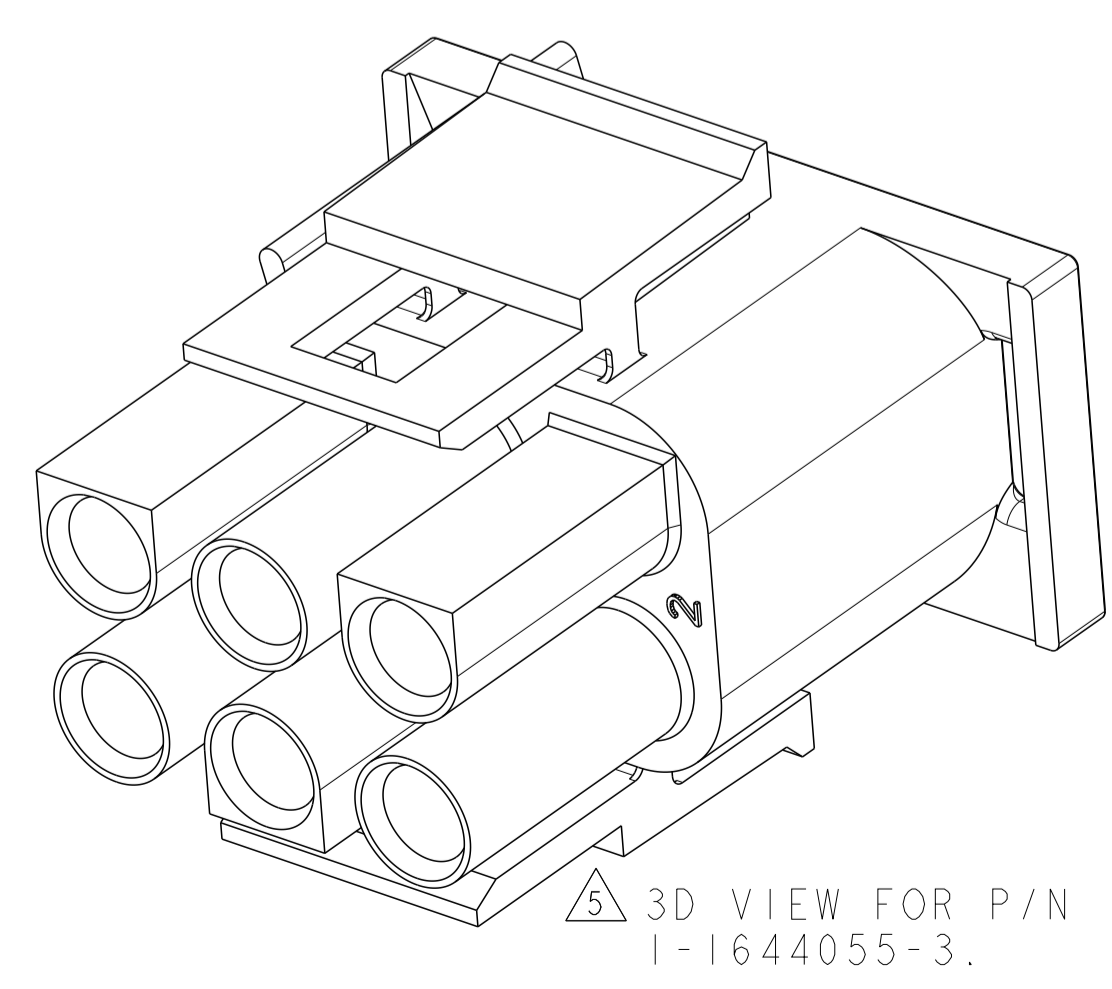


LOC		DIST		REVISIONS			
P	LTN	DESCRIPTION	DATE	DWN	APVD		
A4		ECR-14-001256	21FEB2014	KKB	RP		
A5		ECR-14-002737	24FEB2014	KKB	RP		
A6		ECR-15-015070	15OCT2015	DC	KD		
A7		ECR-16-005086	12APR2016	DC	KD		

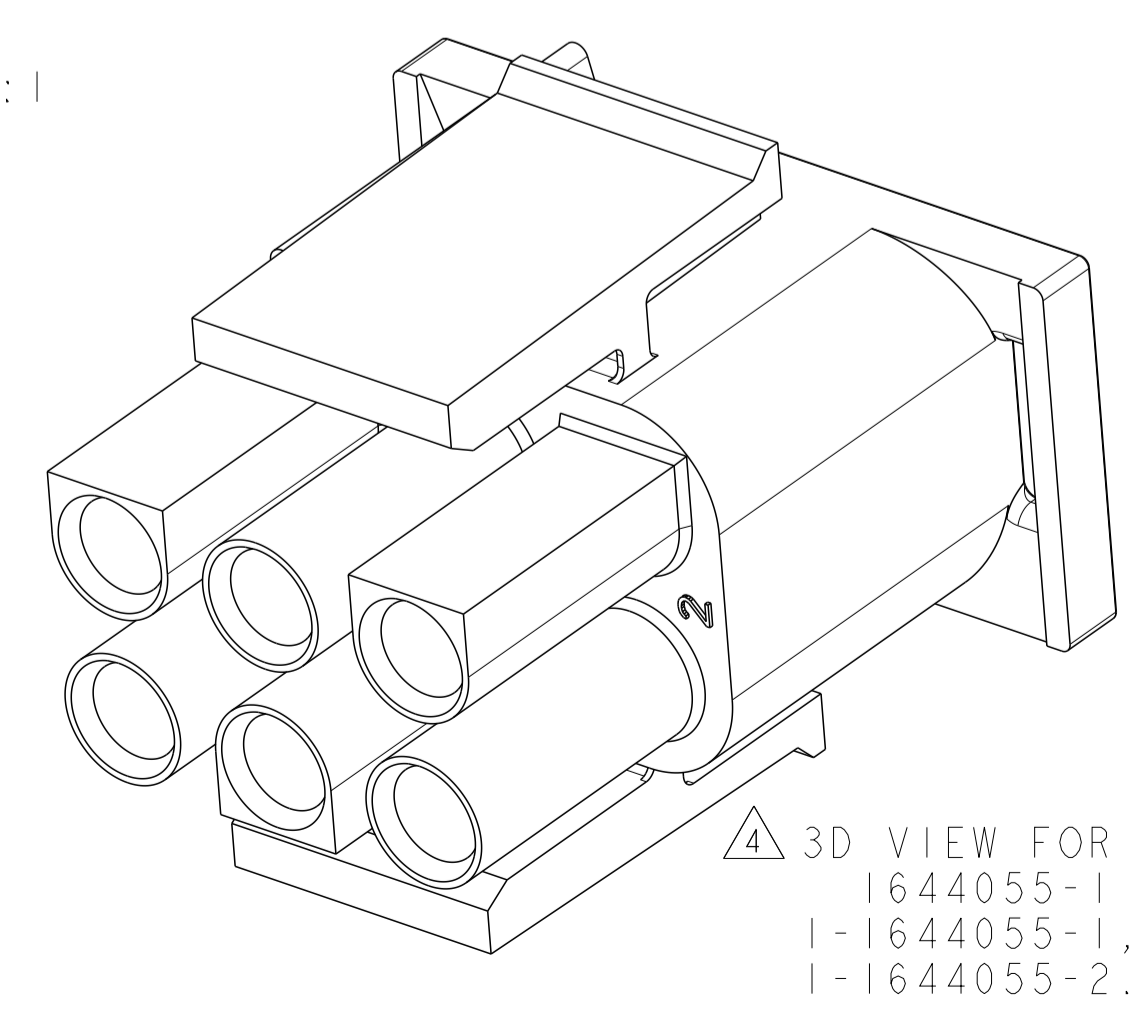


1. SMALL NICKS ARE PERMITTED ON THE CIRCUIT TOWERS WHICH COULD INCREASE THE INITIAL HOUSING MATING FORCE UP TO 4.4 NEWTONS (10 LBS). NO INDIVIDUAL NICKED TOWER SHALL INCREASE THIS FORCE BY OVER 2.2 NEWTONS (.5 LBS)

- △ DIMENSION INDICATED IS AS MOLDED. ADDITIONAL GROWTH DUE TO SUBSEQUENT MOISTURE ABSORTION MAY OCCUR
- △ PRELIMINARY PART NOT RELEASED FOR PRODUCTION
- △ STANDARD LATCH VERSION
- △ WINDOW LATCH VERSION



SCALE 4:1



REMARK	MATERIAL	COLOUR	PN
△5	PA66 V0 GWT 750°C WITHOUT FLAME	NATURAL	1-1644055-3 (WINDOW LATCH VERSION)
△4	PA66 V0 GWT 750°C WITHOUT FLAME	NATURAL	1-1644055-2
△3/△4	PA6 V0	NATURAL	1-1644055-1
△4	PA6 V2 GWT 750°C WITHOUT FLAME	NATURAL	1644055-1

THIS DRAWING IS A CONTROLLED DOCUMENT.		DWN A. HERRANZ CHK J. SALO	16JAN2007 23JAN2007
DIMENSIONS:	TOLERANCES UNLESS OTHERWISE SPECIFIED:	NAME	
mm	0 PLC ± 1 PLC ± 2 PLC ± 3 PLC ± 4 PLC ± ANGLES ± FINISH	PRODUCT SPEC 108-1031	
MATERIAL	SEE TABLE	SIZE	CAGE CODE DRAWING NO
		A1	00779C=1644055
		CUSTOMER DRAWING	
		SCALE	SHEET 1 OF 1
			REV A7