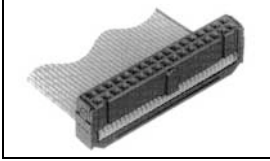


## 1-1658622-0 Product Details

[Share](#) [Print](#) [Email](#)



**1-1658622-0**

TE Internal Number: 1-1658622-0

Active

[View 3D PDF](#)

### AMP-LATCH Ribbon Cable Connectors

Always EU RoHS/ELV Compliant (Statement of Compliance)

#### Product Highlights:

- AMP-LATCH Product Line
- Wire-to-Board
- Applies To Wire/Cable
- Connector Assembly
- Connector Style = Receptacle

[View all Features](#)

### Quick Links

- ▶ [Pricing & Availability](#)
- ▶ [Search for Tooling](#)
- ▶ [View Mating Products \(64\)](#)
- ▶ [Product Feature Selector](#)
- ▶ [Contact Us About This Product](#)

[Add to My Part List](#)

[Request Sample](#)

[Find Similar Products](#)

[Buy Product](#)

### Documentation & Additional Information

#### Product Drawings:

- [RECEPTACLE ASSY, CENTER & MILITARY POLARIZATION LEAD...](#) (PDF, English)

#### Catalog Pages/Data Sheets:

- [Ribbon Cable Interconnect Solutions](#) (PDF, English)

#### Product Specifications:

- [Connector, Flat Cable Round Conductor, AMP-LATCH Nov...](#) (PDF, English)

#### Application Specifications:

- [AMP-LATCH Novo Receptacles for Ribbon Cable with Con...](#) (PDF, English)

#### Instruction Sheets:

- [CONNECTOR-SPECIFIC KIT 768341-1 F/AMP-LATCH STANDARD...](#) (PDF, English)

#### CAD Files: (CAD Format & Compression Information)

- [2D Drawing](#) (DXF, Version B)
- [3D Model](#) (IGES, Version B)
- [3D Model](#) (STEP, Version B)

[List all Documents](#)

#### Additional Information:

- [Product Line Information](#)

#### Related Products:

- [Tooling](#)
- [Mating Products \(64\)](#)

### Product Features (Please use the Product Drawing for all design activity)

#### Product Type Features:

- Product Line = AMP-LATCH
- Connector Type = Connector Assembly
- Series = NOVO
- Shrouded = No
- Termination Method to Wire/Cable = Insulation Displacement Crimp (IDC)
- UL File Number = E28476
- CSA File Number = LR 7189

#### Electrical Characteristics:

- Contact - Rated Current (A) = 1
- Operating Voltage Reference = AC
- Operating Voltage (VAC) = 250

#### Termination Features:

- Wire/Cable Size (AWG) = 26 - 28
- Wire/Cable Size (mm<sup>2</sup>) = 0.08 - 0.15
- Wire/Cable Size (CMA) = 158 - 296

#### Dimensions:

- Length (X-Axis) (mm [in]) = 68.07 [2.6799]
- Width (Z-Axis) (mm [in]) = 7.49 [0.2949]
- Profile Height (Y-Axis) (mm [in]) = 15.16 [0.5968]

#### Body Features:

- Row-to-Row Spacing (mm [in]) = 2.54 [0.100]

#### Configuration Features:

- Number of Positions = 50
- Number of Rows = 2

#### Industry Standards:

- [RoHS/ELV Compliance](#) = RoHS compliant, ELV compliant
- [Lead Free Solder Processes](#) = Not relevant for lead free process
- RoHS/ELV Compliance History = Always was RoHS compliant
- Agency/Standard = UL, CSA
- UL Rating = Recognized
- UL Voltage Rating (VAC) = 250

#### Environmental:

- Operating Temperature (°C [°F]) = -65 - +105 [-85 - +221]

#### Conditions for Usage:

- [Applies To](#) = Wire/Cable
- Accepts Wire Insulation Diameter, Range (mm [in]) = 0.787 - 0.94 [0.031 - 0.037]

#### Operation/Application:

- Application Use = Wire-to-Board
- Contact Transmits (Typical Application) = Signal (Data)

#### Packaging Features:

- Packaging Method = Tube

**Contact Features:**

- Contact Design = Tuning Fork
- Contact Type = Socket
- Contact Base Material = Phosphor Bronze
- [Contact Plating](#), [Mating Area](#), [Material](#) = Gold or Palladium Nickel or Performance Based
- Contact Plating, Mating Area, Thickness ( $\mu\text{m}$  [ $\mu\text{in}$ ]) = 0.76 [29.92]

**Housing Features:**

- Connector Style = Receptacle
- Centerline (mm [in]) = 2.54 [0.100]
- Mating Alignment = With
- Mating Alignment Type = Polarization
- Housing Color = Black
- UL Flammability Rating = UL 94V-0

**Other:**

- Brand = AMP

**Corporate Information**

- [About TE](#)
- [Investors](#)
- [News Room](#)
- [Supplier Portal](#)
- [Careers](#)
- [Terms & Conditions](#)
- [Privacy Policy](#)

**Quick Links**

- [Distributor Inventory](#)
- [Product Cross Reference](#)
- [Documents & Drawings](#)
- [Product Compliance Support Center](#)
- [Site Map](#)

**Customer Support**

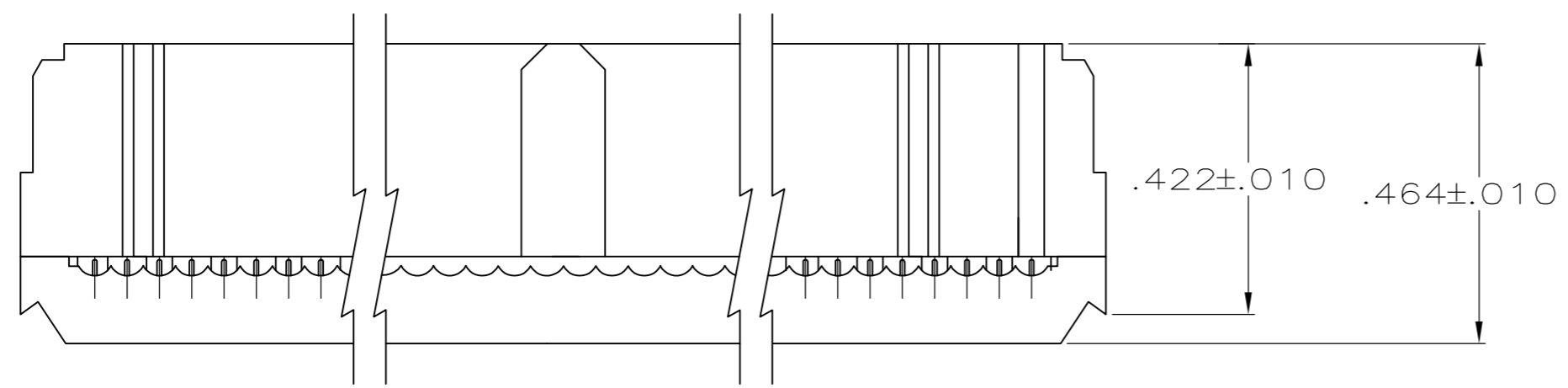
- [Email or Chat With Us](#)
- [Find a Phone Number](#)
- [Knowledge Base](#)
- [Manage Your Account](#)

**Keep Me Informed**

THIS DRAWING IS UNPUBLISHED. RELEASED FOR PUBLICATION  
 © COPYRIGHT - By - ALL RIGHTS RESERVED.

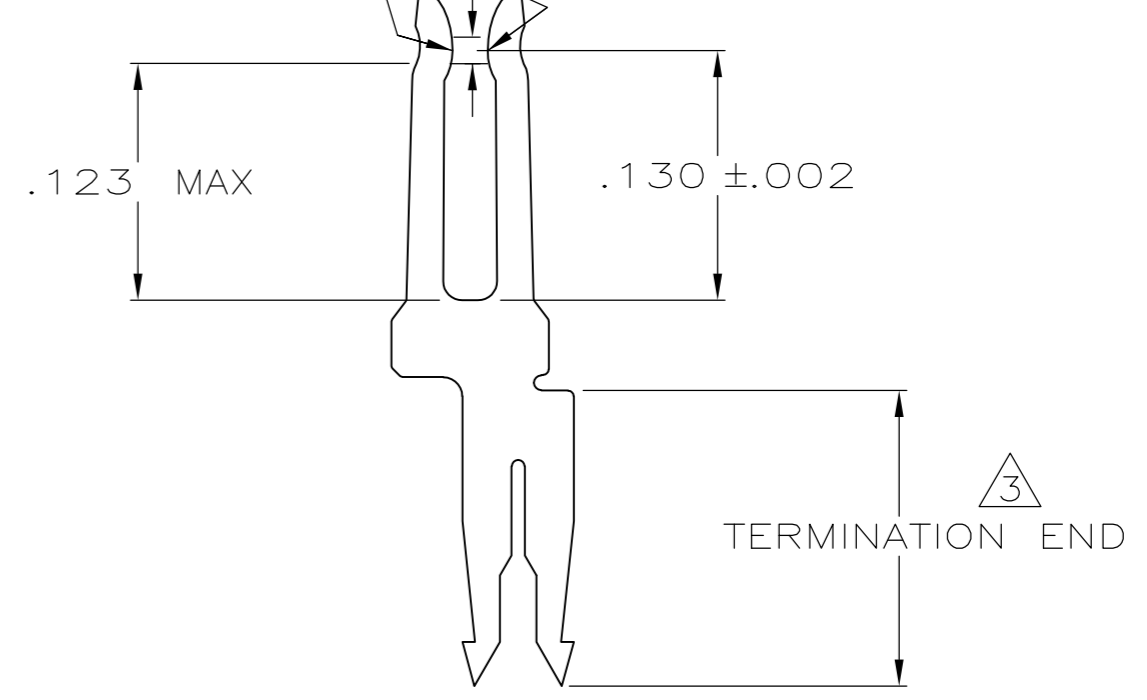
LOC		DIST		REVISIONS			
P	LTR	DESCRIPTION		DATE	DWN	APVD	
GP	00	B1	REVISED PER ECO-11-004835		11MAR11	RK	HMR

- 1 MOLDED PARTS: UL RATED 94V-0 THERMOPLASTIC, BLACK.
- 2 CONTACTS: PHOSPHOR BRONZE PER QQ-B-750.
- 3 CONTACTS: PLATED WITH .000030 MIN GOLD IN LOCALIZED GOLD PLATE AREA, .000050 MIN TIN ON TERMINATION END, ALL OVER .000050 MIN NICKEL ON ENTIRE CONTACT.  
OR  
GOLD FLASH OVER PALLADIUM-NICKEL PLATE .000030 MIN TOTAL IN LOCALIZED GOLD PLATE AREA, .000050 MIN TIN ON TERMINATION END, ALL OVER .000050 MIN NICKEL ON ENTIRE CONTACT.
- 4 POLARIZING FEATURE DOES NOT EXIST ON SAME END AS THE POSN #1 INDICATOR ON 10 AND 14 POSN PRODUCT.

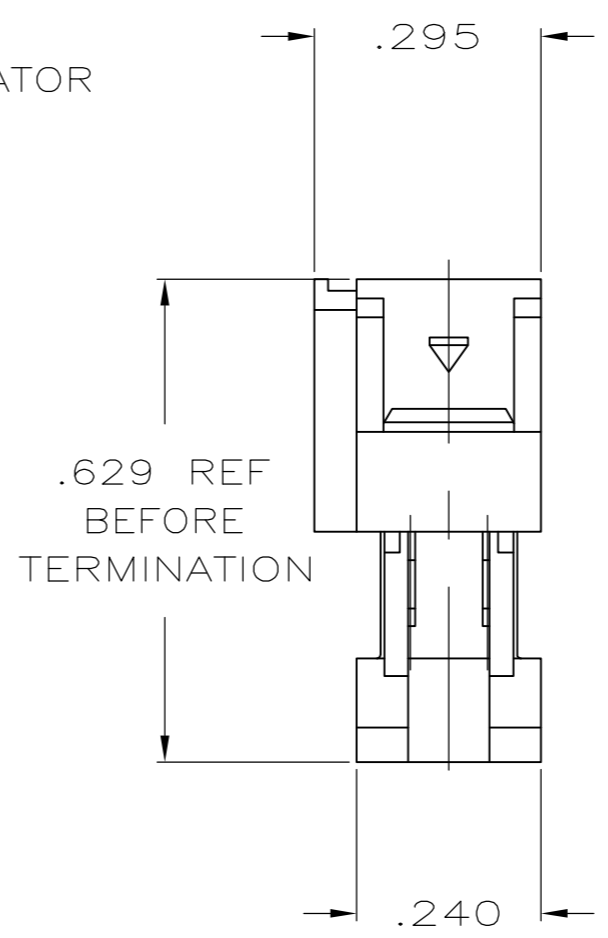
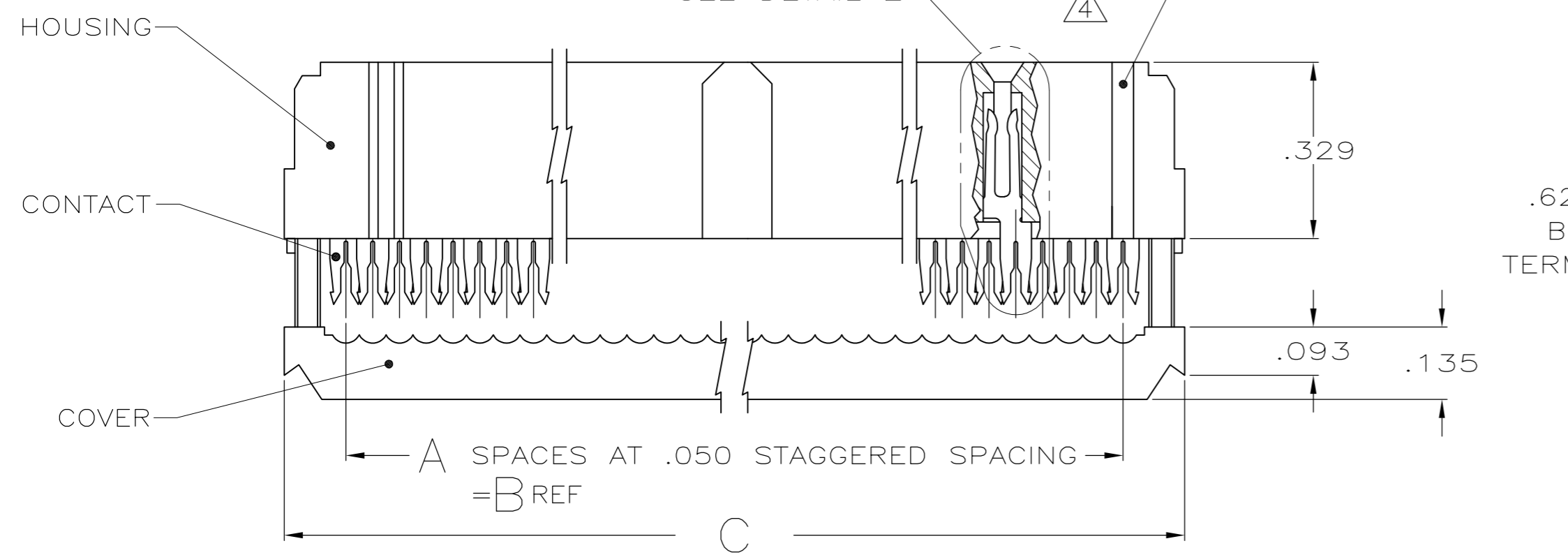
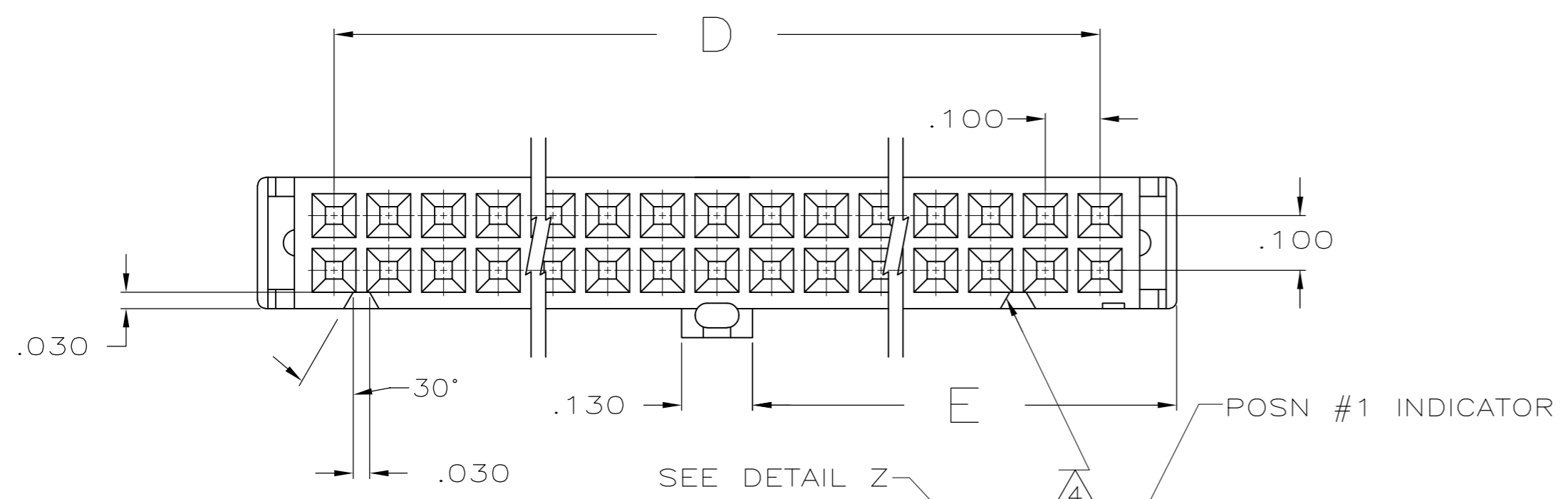


TERMINATED VIEW

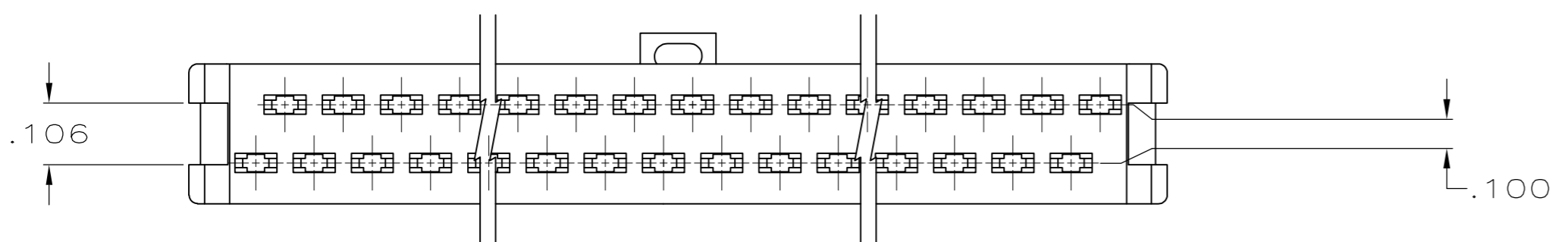
LOCALIZED GOLD PLATING ON THIS SURFACE  
 .014 MIN LOCALIZED GOLD PLATE AREA 3



DETAIL Z  
SCALE 10:1  
TYPICAL



1.125	2.100	2.380	2.150	43	44	1-1658622-3
1.625	3.100	3.380	3.150	63	64	1-1658622-2
1.525	2.900	3.180	2.950	59	60	1-1658622-1
1.275	2.400	2.680	2.450	49	50	1-1658622-0
1.025	1.900	2.180	1.950	39	40	1658622-9
.875	1.600	1.880	1.650	33	34	1658622-8
.775	1.400	1.680	1.450	29	30	1658622-7
.675	1.200	1.480	1.250	25	26	1658622-6
.625	1.100	1.380	1.150	23	24	1658622-5
.525	.900	1.180	.950	19	20	1658622-4
.425	.700	.980	.750	15	16	1658622-3
.375	.600	.880	.650	13	14	1658622-2
.275	.400	.680	.450	9	10	1658622-1
E	D	C	B	A	NO OF POSN	PART NUMBER



THIS DRAWING IS A CONTROLLED DOCUMENT.

DWN R. SAMICK 22AUG03		RECEPTACLE ASSY, CENTER & MILITARY POLARIZATION LEAD FREE AMP-LATCH™ NOVO		
CHK C. RHODE 22AUG03		SIZE A2	CAGE CODE 00779	DRAWING NO C=1658622
APVD M. WALMSLEY 22AUG03		RESTRICTED TO	-	
PRODUCT SPEC 108-40000		SCALE 4:1	SHEET 1 of 1	REV B1
APPLICATION SPEC 114-40005	CUSTOMER DRAWING			