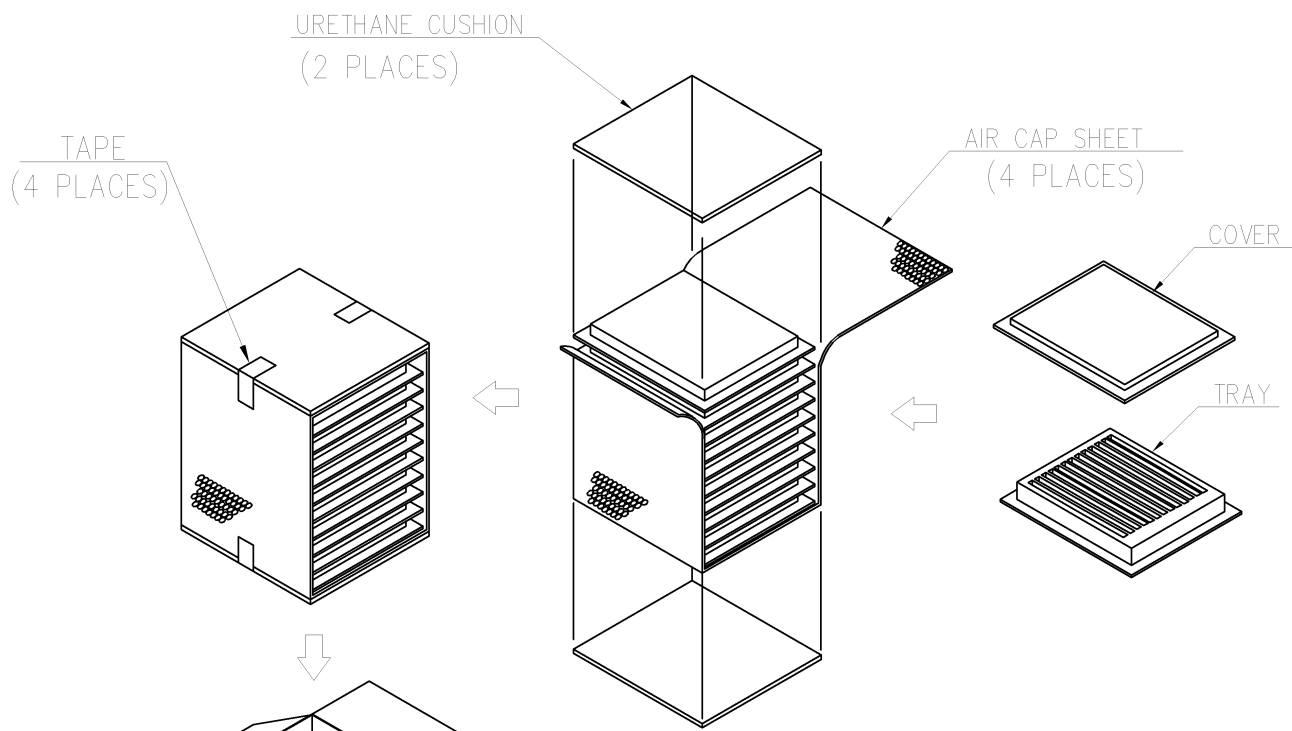




THIS DRAWING IS UNPUBLISHED. RELEASED FOR PUBLICATION  
 © COPYRIGHT - BY - ALL RIGHTS RESERVED.

LOC	DIST	REVISIONS					
DW		P	LTR	DESCRIPTION	DATE	DWN	APVD
				SEE SHEET 1.			



TAPE  
(4 PLACES)

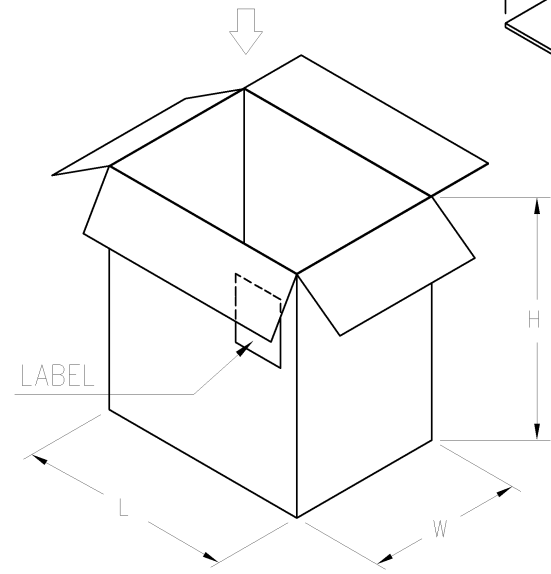
URETHANE CUSHION  
(2 PLACES)

AIR CAP SHEET  
(4 PLACES)

COVER

TRAY

- NOTES:
- MATERIAL:
    - 1.1 TRAY: PVC
    - 1.2 SHIPPING CARTON: CORRUGATED FIBERBOARD
  - DIMENSION:
    - 2.1 TRAY: L=320, W=230, H=18.9
    - 2.2 SHIPPING CARTON: L=361, W=245, H=272
  - QUANTITY:
    - 3.1 PRIMARY PACKING: 100 PCS/TRAY
    - 3.2 SECONDARY PACKING: 10 TRAY/CARTON(1000PCS)
  - CARTON WEIGHT:
    - 4.1 NET WEIGHT: 10.24 Kg (W/SCREWLOCK)
    - 4.2 GROSS WEIGHT: 11.24 Kg (W/SCREWLOCK)
    - 4.3 NET WEIGHT: 8.24 Kg (W/O SCREWLOCK)
    - 4.4 GROSS WEIGHT: 9.24 Kg (W/O SCREWLOCK)

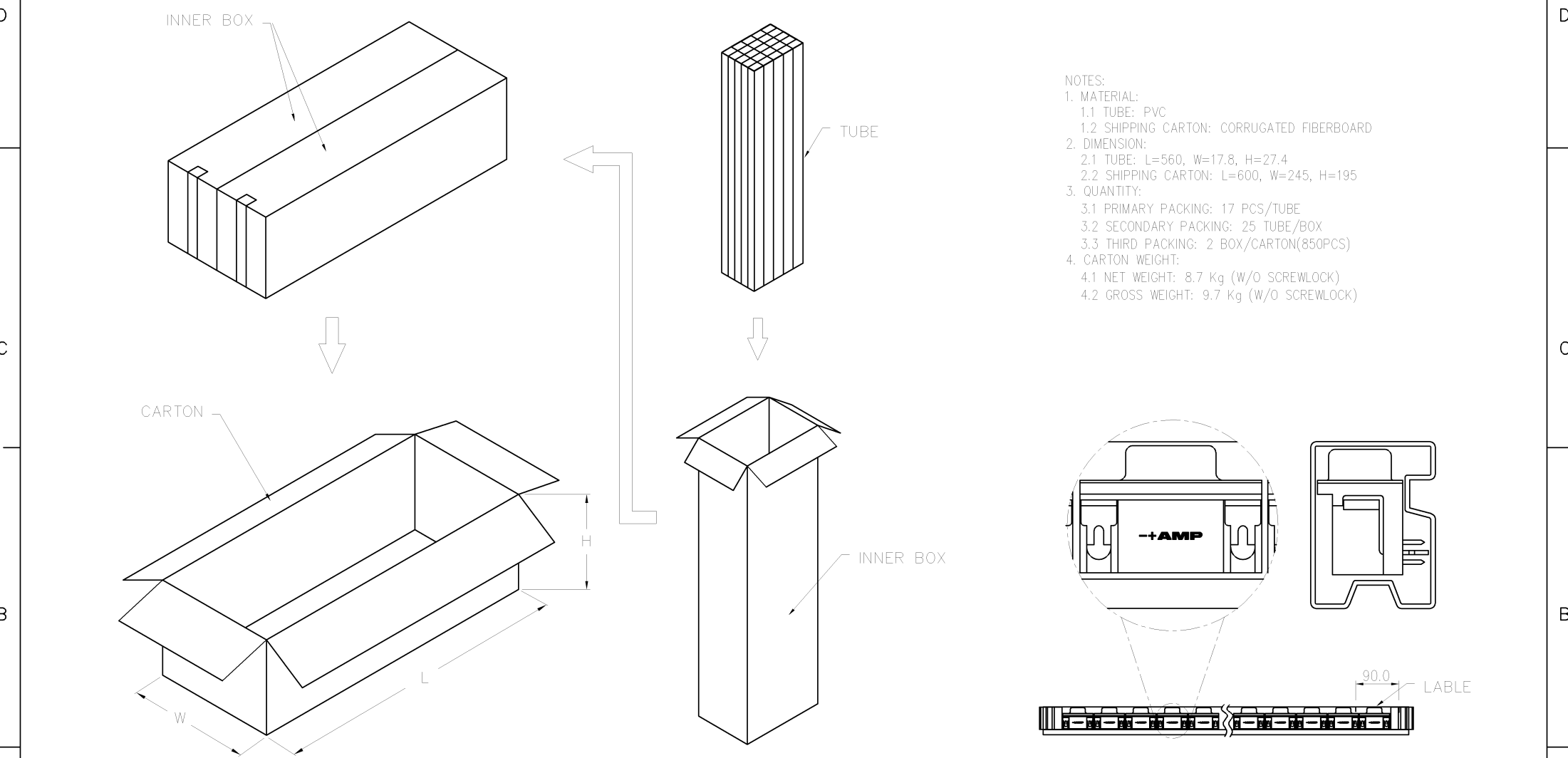


LABEL

THIS DRAWING IS A CONTROLLED DOCUMENT.		DWN	TE Connectivity <b>RECEPTACLE ASSY, SIZE 1,          15 POSITION, RIGHT ANGLE,          THROUGH HOLE</b>				
DIMENSIONS: MM		CHK				NAME	
TOLERANCES UNLESS OTHERWISE SPECIFIED:		APVD				SIZE	
0 PLC ± - 1 PLC ± - 2 PLC ± - 3 PLC ± - 4 PLC ± - ANGLES ± -		PRODUCT SPEC				CAGE CODE	
MATERIAL		APPLICATION SPEC	DRAWING NO		RESTRICTED TO		
FINISH		WEIGHT	A3 00779		©=1734530		
		CUSTOMER DRAWING	SCALE	SHEET 2 OF 4	REV B2		


THIS DRAWING IS UNPUBLISHED. RELEASED FOR PUBLICATION  
 © COPYRIGHT - BY - ALL RIGHTS RESERVED.

LOC	DIST	REVISIONS					
DW		P	LTR	DESCRIPTION	DATE	DWN	APVD
				SEE SHEET 1.			



- NOTES:
- MATERIAL:
    - TUBE: PVC
    - SHIPPING CARTON: CORRUGATED FIBERBOARD
  - DIMENSION:
    - TUBE: L=560, W=17.8, H=27.4
    - SHIPPING CARTON: L=600, W=245, H=195
  - QUANTITY:
    - PRIMARY PACKING: 17 PCS/TUBE
    - SECONDARY PACKING: 25 TUBE/BOX
    - THIRD PACKING: 2 BOX/CARTON(850PCS)
  - CARTON WEIGHT:
    - NET WEIGHT: 8.7 Kg (W/O SCREWLOCK)
    - GROSS WEIGHT: 9.7 Kg (W/O SCREWLOCK)

THIS DRAWING IS A CONTROLLED DOCUMENT.		DWN	-		
DIMENSIONS: MM		CHK	-		
TOLERANCES UNLESS OTHERWISE SPECIFIED:		APVD	-		
0 PLC ±		PRODUCT SPEC	-		
1 PLC ±		APPLICATION SPEC	-		
2 PLC ±		WEIGHT	-		
3 PLC ±		CUSTOMER DRAWING	-		
4 PLC ±		SCALE	-		
ANGLES ±		SHEET	3 OF 4		
FINISH ±		REV	B2		



TE Connectivity

RECEPTACLE ASSY, SIZE 1,  
15 POSITION, RIGHT ANGLE,  
THROUGH HOLE

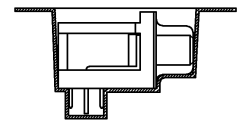
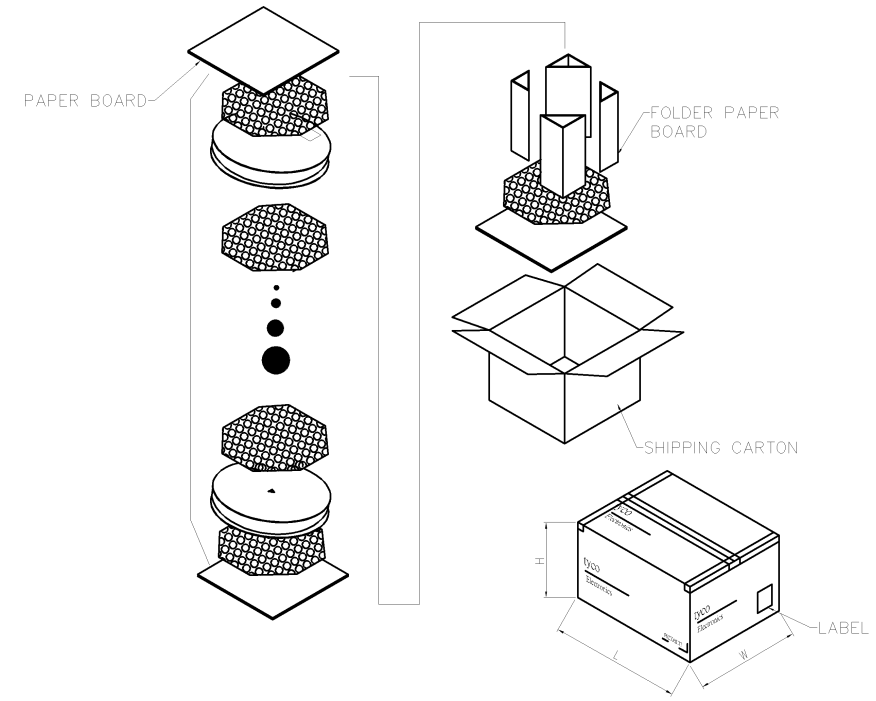
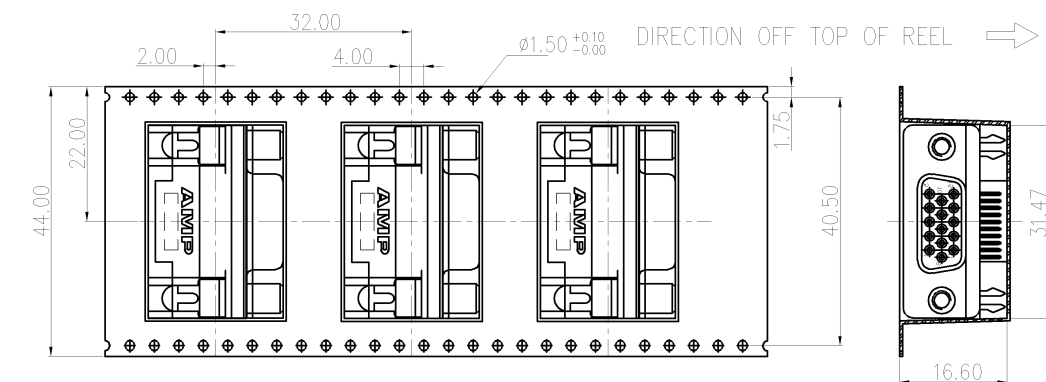
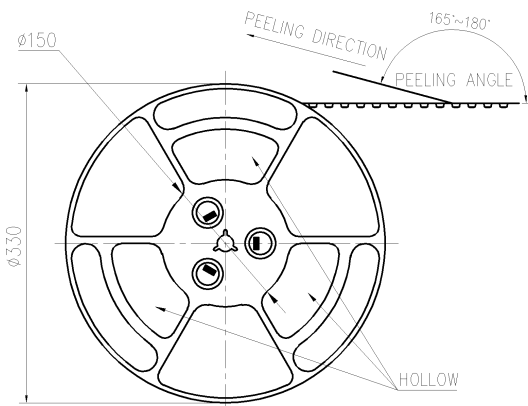
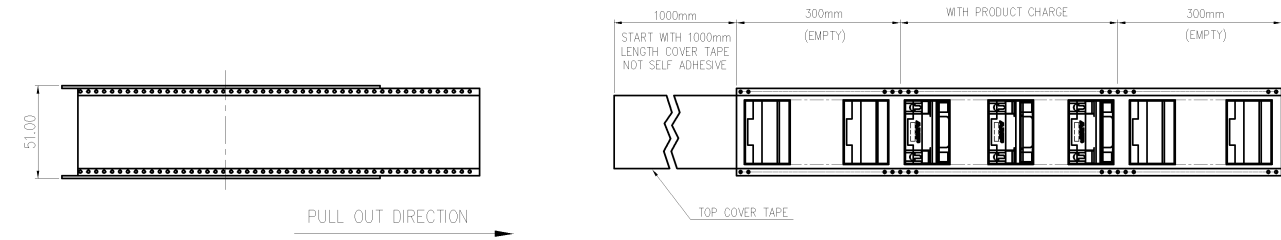
NAME

SIZE CAGE CODE DRAWING NO RESTRICTED TO

A3 00779 C=1734530

THIS DRAWING IS UNPUBLISHED. RELEASED FOR PUBLICATION  
 © COPYRIGHT - BY - ALL RIGHTS RESERVED.

LOC	DIST	REVISIONS					
DW		P	LTR	DESCRIPTION	DATE	DWN	APVD
		SEE SHEET 1.					



PRODUCT TYPE	PCS/REEL	REEL/CARTON	TOTAL(PCS)	CTN SIZE (CM)	NW(Kg)	GW(Kg)
D-SUB H/D 15P	100	6	600	360X360X350	5.4	5.9

THIS DRAWING IS A CONTROLLED DOCUMENT.		DWN -		<b>TE Connectivity</b> RECEPTACLE ASSY, SIZE 1, 15 POSITION, RIGHT ANGLE, THROUGH HOLE	
DIMENSIONS: MM		CHK -			
TOLERANCES UNLESS OTHERWISE SPECIFIED:		APVD -			
0 PLC ± - 1 PLC ± - 2 PLC ± - 3 PLC ± - 4 PLC ± - ANGLES ± -		NAME			
MATERIAL		FINISH		PRODUCT SPEC	
				APPLICATION SPEC	
				SIZE	
				CAGE CODE	
				DRAWING NO	
				RESTRICTED TO	
				A300779	
				C=1734530	
				CUSTOMER DRAWING	
				SCALE	
				SHEET 4 OF 4	
				REV B2	