

1-1734530-1 Product Details

[Share](#) [Print](#) [Email](#)




1-1734530-1

TE Internal Number: 1-1734530-1

 **Active**

[View 3D PDF](#)

Standard Board Mount Connectors

-  Always EU RoHS/ELV Compliant
(Statement of Compliance)

Product Highlights:

- 15 Positions
- Connector Style = Receptacle
- PCB Mounting Orientation = Right Angle
- Product Series = HD-22
- Without Mating Connector Lock

[View all Features](#)

Quick Links

- ▶ [Pricing & Availability](#)
- ▶ [Search for Tooling](#)
- ▶ [Product Feature Selector](#)
- ▶ [Contact Us About This Product](#)

[Add to My Part List](#)

[Request Sample](#)

[Find Similar Products](#)

[Buy Product](#)

Documentation & Additional Information

Product Drawings:

- [RECEPTACLE ASSY, SIZE 1,15 POSITION, RIGHT ANGLE,THR... \(PDF, English\)](#)

Catalog Pages/Data Sheets:

- [AMPLIMITE Subminiature D Connectors - Right-Angle Po... \(PDF, English\)](#)

Product Specifications:

- None Available

Application Specifications:

- [AMPLIMITE HD-22 Right-Angle Front Metal Shell Connectors \(PDF, English\)](#)

Instruction Sheets:

- None Available

CAD Files: (CAD Format & Compression Information)

- [2D Drawing \(DXF, Version B\)](#)
- [3D Model \(IGES, Version B\)](#)
- [3D Model \(STEP, Version B\)](#)

[List all Documents](#)

Additional Information:

- [Product Line Information](#)

Related Products:

- [Tooling](#)

Product Features (Please use the Product Drawing for all design activity)

Product Type Features:

- [PCB Mounting Orientation](#) = Right Angle
- [Product Series](#) = HD-22
- [Mating Connector Lock](#) = Without
- [PCB Mount Retention](#) = With
- [PCB Mount Retention Type](#) = Boardlock(s)
- [Shell Type](#) = Front Metal Shell
- [Shell Size](#) = 1
- [Footprint \(mm \[in\]\)](#) = 8.89 [.350]
- [Grounding Indents](#) = Without
- [Grounding Straps](#) = Without
- [PCB Mount Style](#) = Through Hole

- [Color Code](#) = None
- [Sealed](#) = No
- [Profile](#) = Standard

Body Features:

- [Shell Material](#) = SPCC
- [Shell Plating](#) = Nickel

Contact Features:

- [Contact Plating, Mating Area, Material](#) = Gold Flash
- [Solder Tail Contact Plating](#) = Tin over Nickel
- [Contact Base Material](#) = Phosphor Bronze

Housing Features:

- [Connector Style](#) = Receptacle
- [UL Flammability Rating](#) = UL 94V-0
- [Housing Material](#) = Thermoplastic - GF

Configuration Features:

- [Number of Positions](#) = 15

- Mounting Hole Diameter (mm [in]) = 3.18 [.125]
- Color = Black

Mechanical Attachment:

- [Panel Mount Retention](#) = Without
- Boardlock Material = Brass

Termination Features:

- [Grounding Clips](#) = Without
- [Termination Post Length \(mm \[in\]\)](#) = 3.18 [0.125]

Dimensions:

- [PCB Thickness, Recommended \(in \[mm\]\)](#) = 0.063 [1.60]

Industry Standards:

- [RoHS/ELV Compliance](#) = RoHS compliant, ELV compliant
- [Lead Free Solder Processes](#) = Reflow solder capable to 245°C, Reflow solder capable to 260°C
- [RoHS/ELV Compliance History](#) = Always was RoHS compliant

Packaging Features:

- Packaging Quantity = 100
- Packaging Method = Tray

Other:

- Brand = AMP

Corporate Information

- [About TE](#)
- [Investors](#)
- [News Room](#)
- [Supplier Portal](#)
- [Careers](#)
- [Terms & Conditions](#)
- [Privacy Policy](#)

Quick Links

- [Distributor Inventory](#)
- [Product Cross Reference](#)
- [Documents & Drawings](#)
- [Product Compliance Support Center](#)
- [Site Map](#)

Customer Support

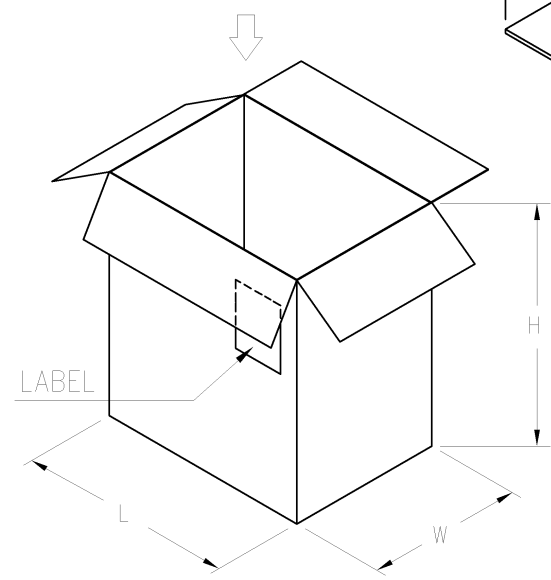
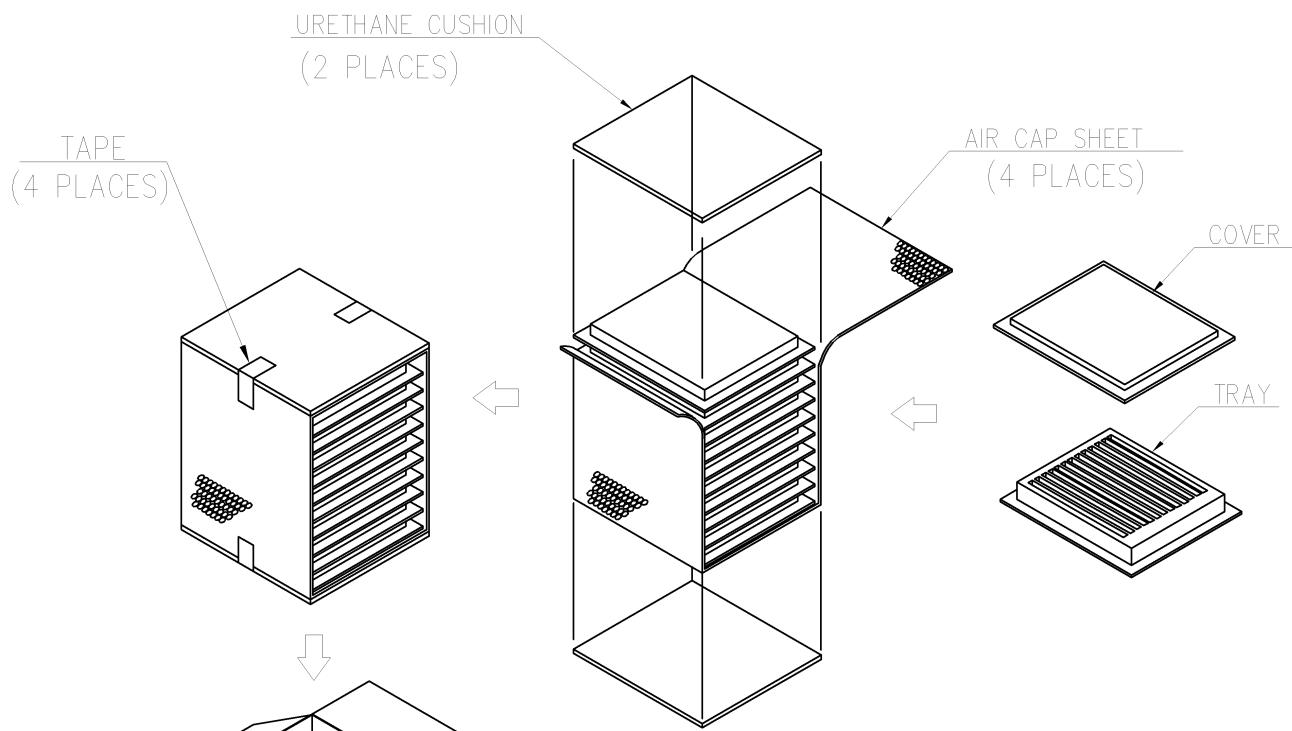
- [Email or Chat With Us](#)
- [Find a Phone Number](#)
- [Knowledge Base](#)
- [Manage Your Account](#)

Keep Me Informed



THIS DRAWING IS UNPUBLISHED. RELEASED FOR PUBLICATION
 © COPYRIGHT - BY - ALL RIGHTS RESERVED.

LOC	DIST	REVISIONS					
DW		P	LTR	DESCRIPTION	DATE	DWN	APVD
				SEE SHEET 1.			

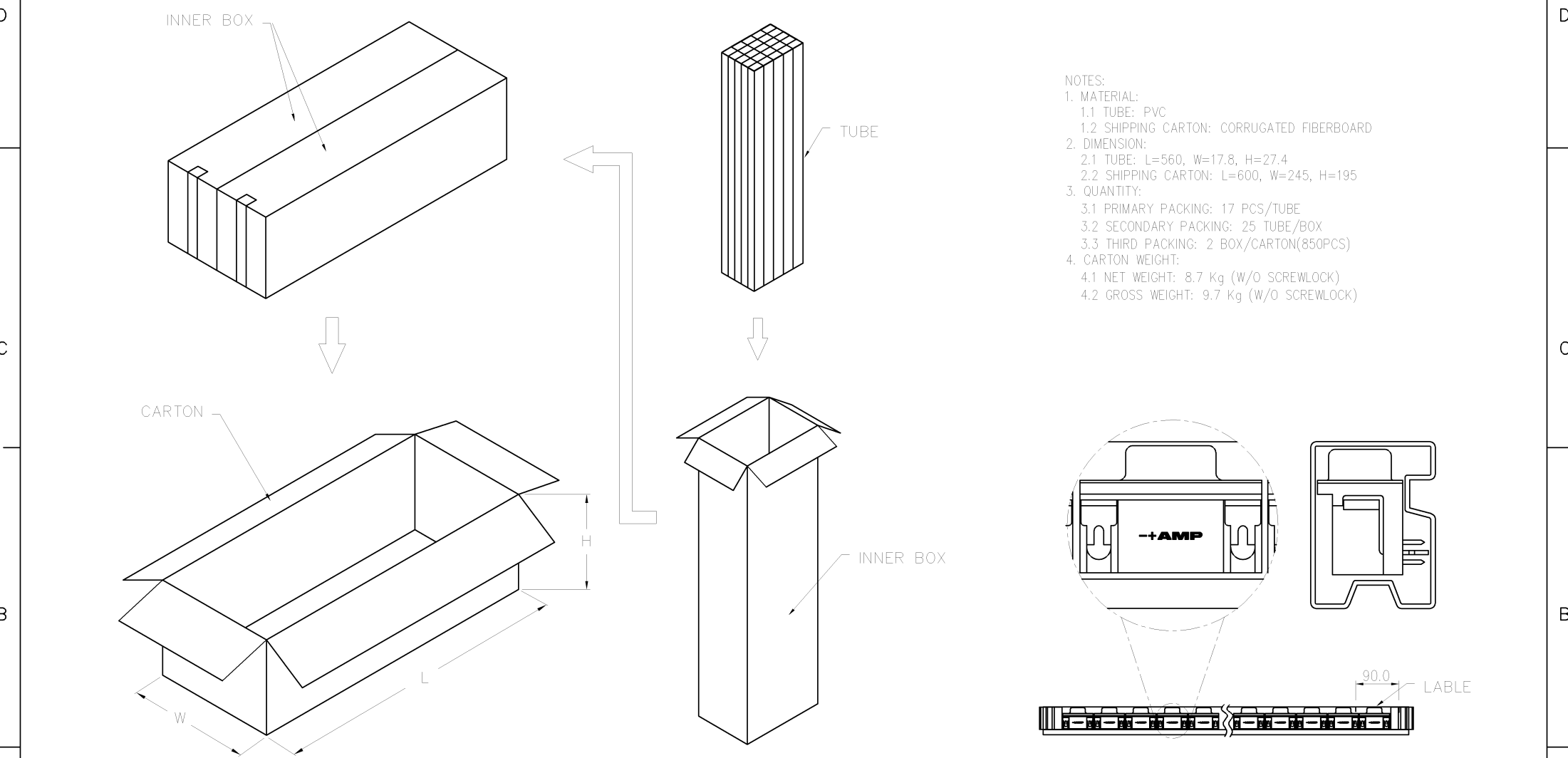


- NOTES:
- MATERIAL:
 - 1.1 TRAY: PVC
 - 1.2 SHIPPING CARTON: CORRUGATED FIBERBOARD
 - DIMENSION:
 - 2.1 TRAY: L=320, W=230, H=18.9
 - 2.2 SHIPPING CARTON: L=361, W=245, H=272
 - QUANTITY:
 - 3.1 PRIMARY PACKING: 100 PCS/TRAY
 - 3.2 SECONDARY PACKING: 10 TRAY/CARTON(1000PCS)
 - CARTON WEIGHT:
 - 4.1 NET WEIGHT: 10.24 Kg (W/SCREWLOCK)
 - 4.2 GROSS WEIGHT: 11.24 Kg (W/SCREWLOCK)
 - 4.3 NET WEIGHT: 8.24 Kg (W/O SCREWLOCK)
 - 4.4 GROSS WEIGHT: 9.24 Kg (W/O SCREWLOCK)

THIS DRAWING IS A CONTROLLED DOCUMENT.		DWN	TE Connectivity RECEPTACLE ASSY, SIZE 1, 15 POSITION, RIGHT ANGLE, THROUGH HOLE						
DIMENSIONS: MM		CHK				NAME			
TOLERANCES UNLESS OTHERWISE SPECIFIED: 0 PLC ± - 1 PLC ± - 2 PLC ± - 3 PLC ± - 4 PLC ± - ANGLES ± -		APVD				SIZE	CAGE CODE	DRAWING NO	RESTRICTED TO
		PRODUCT SPEC				A3	00779	©=1734530	
MATERIAL	FINISH	APPLICATION SPEC	WEIGHT	CUSTOMER DRAWING		SCALE	SHEET 2 OF 4	REV B2	

THIS DRAWING IS UNPUBLISHED. RELEASED FOR PUBLICATION
 © COPYRIGHT - BY - ALL RIGHTS RESERVED.

LOC	DIST	REVISIONS					
DW		P	LTR	DESCRIPTION	DATE	DWN	APVD
				SEE SHEET 1.			

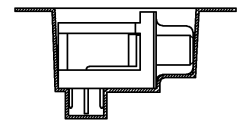
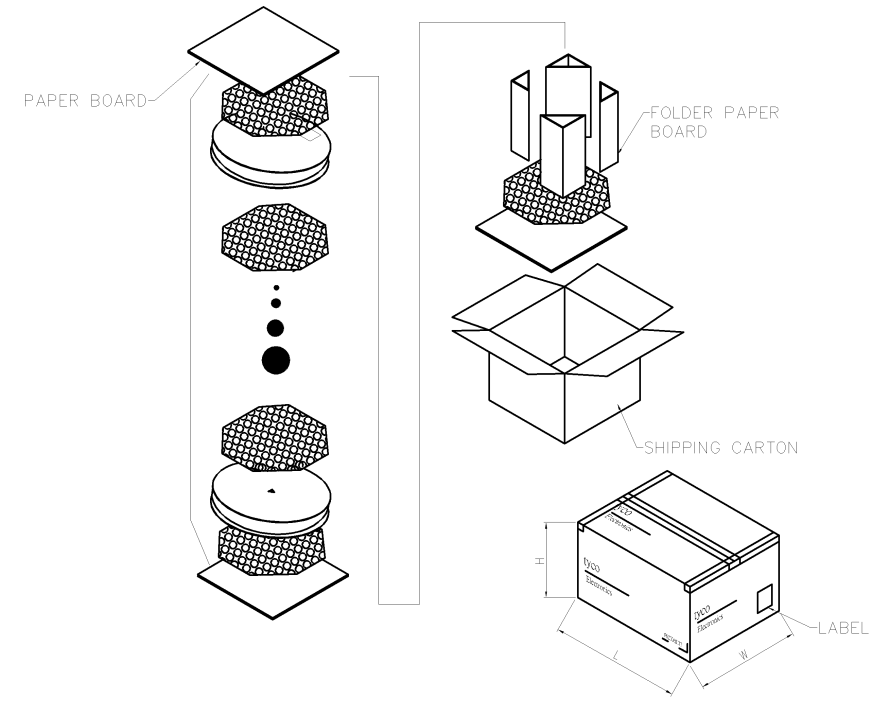
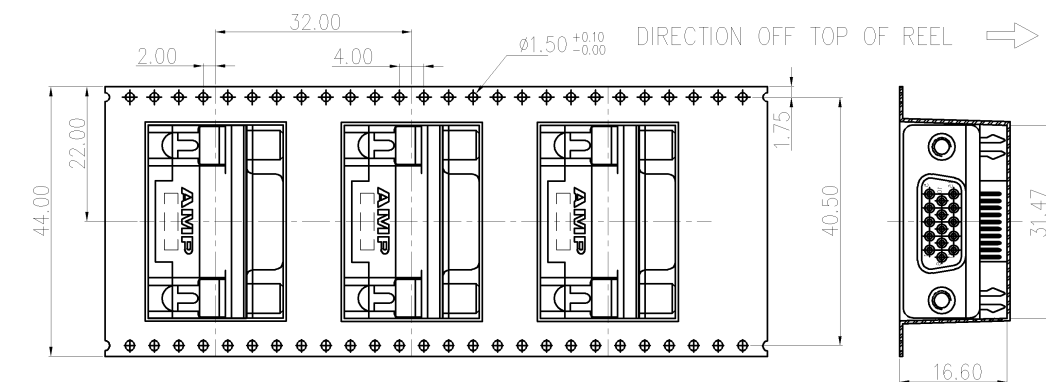
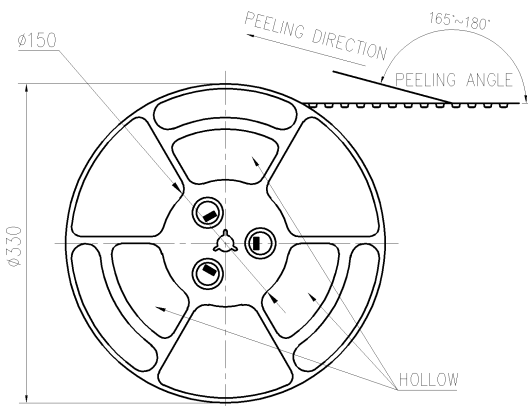
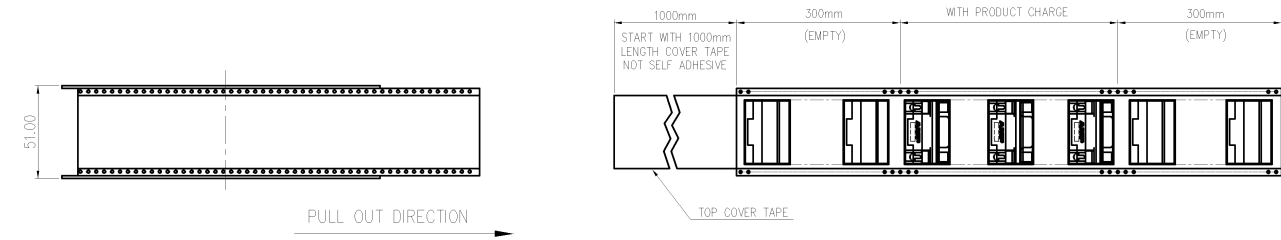


- NOTES:
- MATERIAL:
 - 1.1 TUBE: PVC
 - 1.2 SHIPPING CARTON: CORRUGATED FIBERBOARD
 - DIMENSION:
 - 2.1 TUBE: L=560, W=17.8, H=27.4
 - 2.2 SHIPPING CARTON: L=600, W=245, H=195
 - QUANTITY:
 - 3.1 PRIMARY PACKING: 17 PCS/TUBE
 - 3.2 SECONDARY PACKING: 25 TUBE/BOX
 - 3.3 THIRD PACKING: 2 BOX/CARTON(850PCS)
 - CARTON WEIGHT:
 - 4.1 NET WEIGHT: 8.7 Kg (W/O SCREWLOCK)
 - 4.2 GROSS WEIGHT: 9.7 Kg (W/O SCREWLOCK)

THIS DRAWING IS A CONTROLLED DOCUMENT.		DWN	TE Connectivity				
DIMENSIONS: MM		CHK				NAME	
TOLERANCES UNLESS OTHERWISE SPECIFIED: 0 PLC ± - 1 PLC ± - 2 PLC ± - 3 PLC ± - 4 PLC ± - ANGLES ± -		APVD				RECEPTACLE ASSY, SIZE 1, 15 POSITION, RIGHT ANGLE, THROUGH HOLE	
MATERIAL		FINISH				PRODUCT SPEC	SIZE CAGE CODE DRAWING NO RESTRICTED TO
			APPLICATION SPEC	A3 00779 C=1734530			
			WEIGHT	CUSTOMER DRAWING			
			SCALE	SHEET 3 OF 4	REV B2		

THIS DRAWING IS UNPUBLISHED. RELEASED FOR PUBLICATION
 © COPYRIGHT - BY - ALL RIGHTS RESERVED.

LOC	DIST	REVISIONS					
DW		P	LTR	DESCRIPTION	DATE	DWN	APVD
		SEE SHEET 1.					



PRODUCT TYPE	PCS/REEL	REEL/CARTON	TOTAL(PCS)	CTN SIZE (CM)	NW(Kg)	GW(Kg)
D-SUB H/D 15P	100	6	600	360X360X350	5.4	5.9

THIS DRAWING IS A CONTROLLED DOCUMENT.

DIMENSIONS: MM	TOLERANCES UNLESS OTHERWISE SPECIFIED: 0 PLC ± - 1 PLC ± - 2 PLC ± - 3 PLC ± - 4 PLC ± - ANGLES ± -	DWN - CHK - APVD -	TE Connectivity RECEPTACLE ASSY, SIZE 1, 15 POSITION, RIGHT ANGLE, THROUGH HOLE			
MATERIAL	FINISH	PRODUCT SPEC - APPLICATION SPEC - WEIGHT -				
		SIZE	CAGE CODE	DRAWING NO	RESTRICTED TO	
		A3	00779	C=1734530		
CUSTOMER DRAWING				SCALE	SHEET 4 OF 4	REV B2