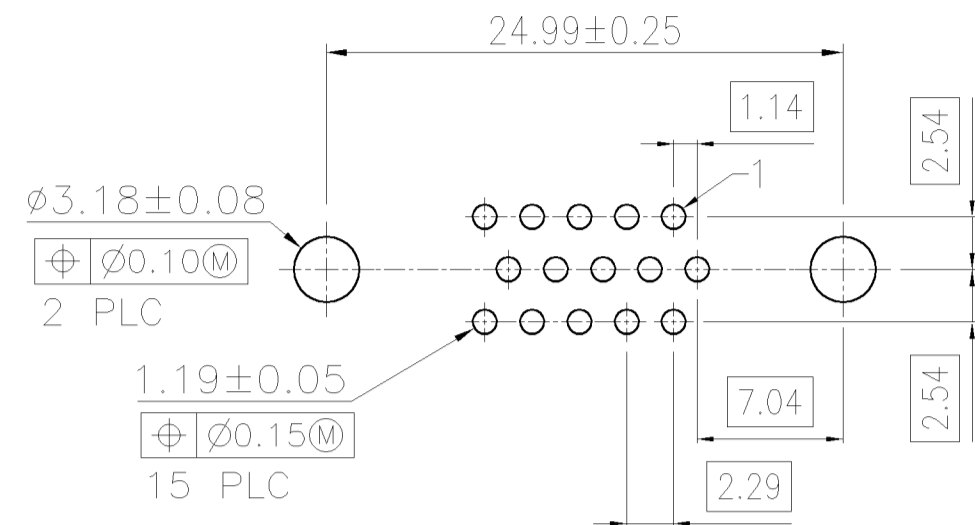
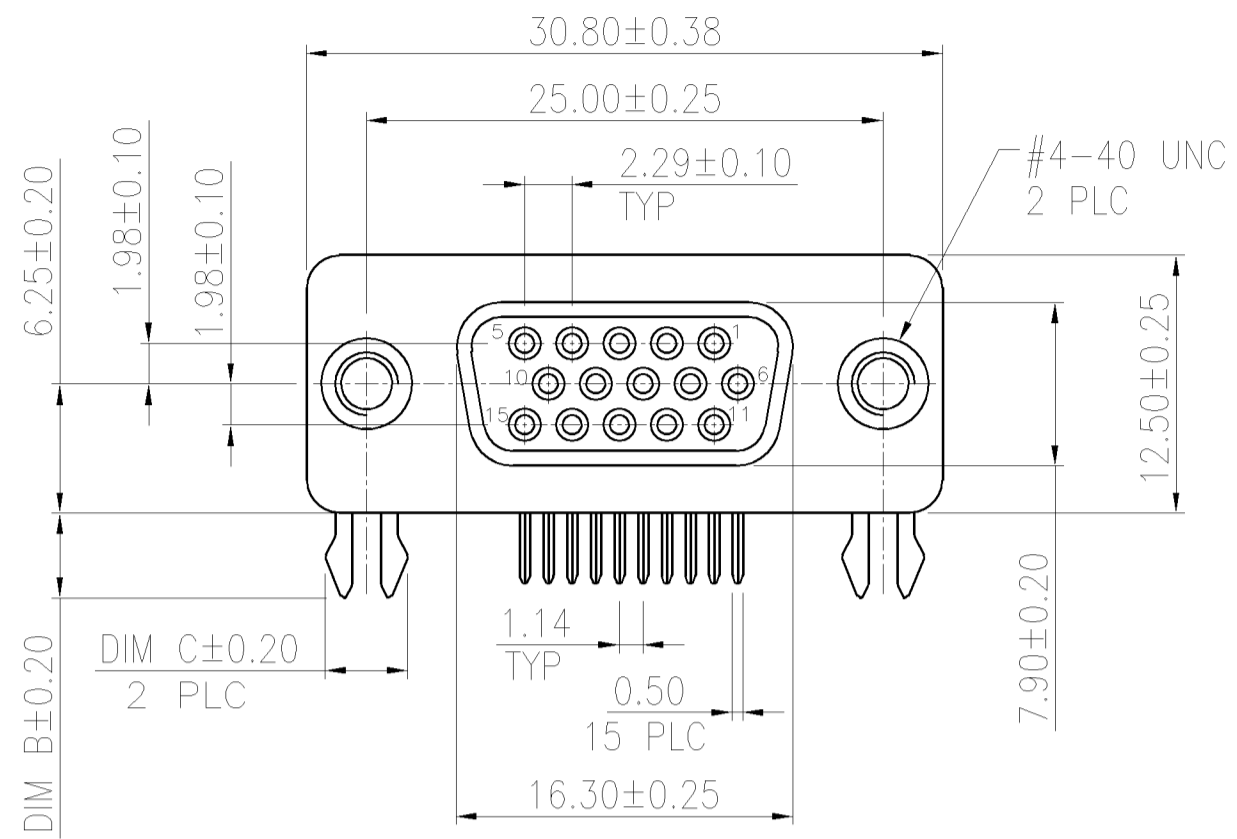


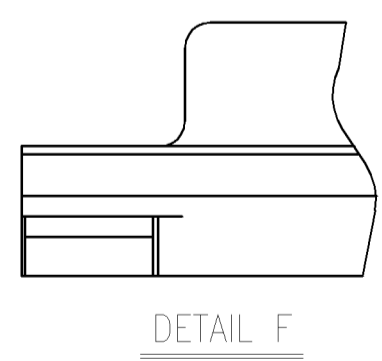
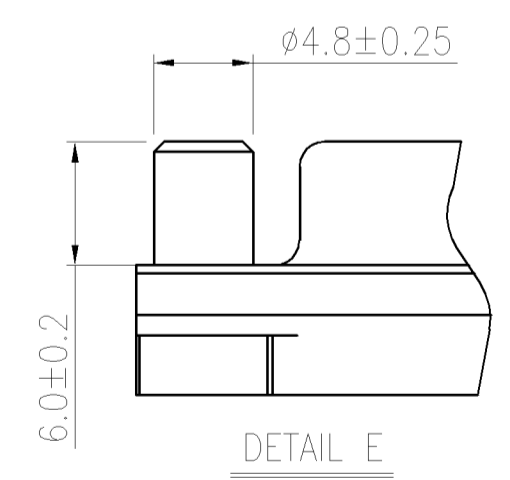
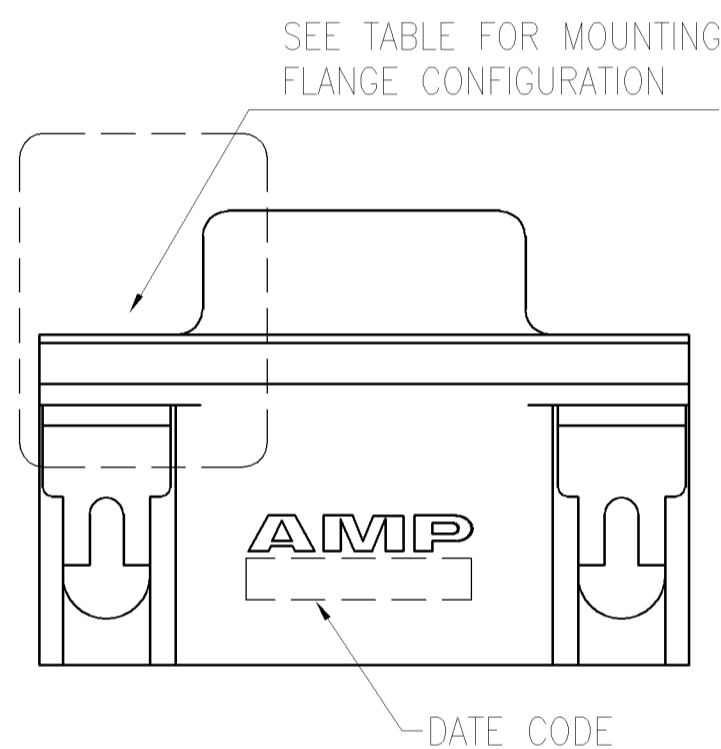
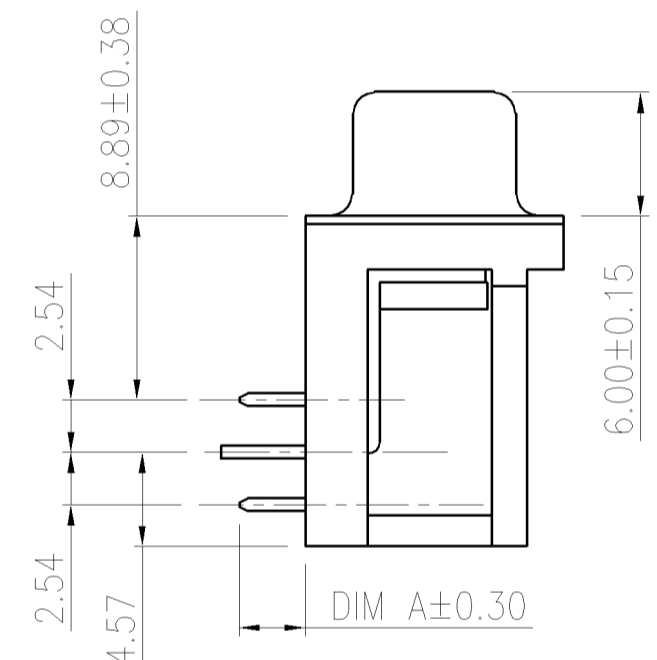
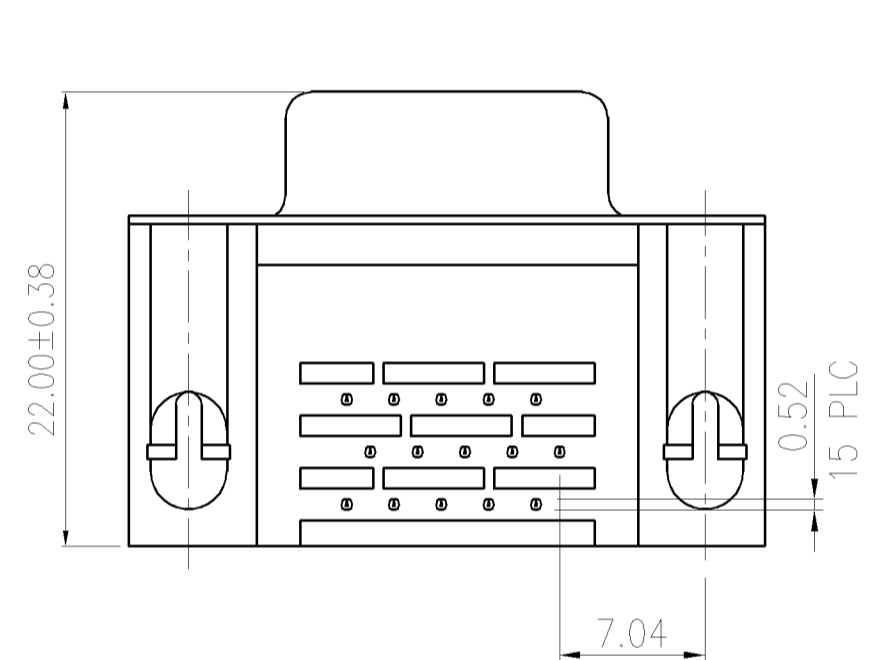
THIS DRAWING IS UNPUBLISHED. RELEASED FOR PUBLICATION
 © COPYRIGHT BY TYCO ELECTRONICS CORPORATION. ALL RIGHTS RESERVED.

LOC	DIST	REVISIONS				
P	LTR	DESCRIPTION	DATE	DWN	APVD	
DW	—					
	A	REVISED ECR-06-007034	27APR06	JL	WK	
	A1	REVISED ECR-07-006694	22MAR07	JL	WK	



RECOMMENDED P.C. BOARD LAYOUT

- NOTES:
- MATERIAL:
 - HOUSING: THERMOPLASTIC(NY9T), UL 94V-0 RATED,BLACK
 - CONTACTS: PHOPHOR BRONZE
 - SHELL: SPCC
 - BOARDLOCKS: BRASS
 - RIVET: BRASS
 - SCREWLOCK: BRASS
 - FINISH:
 - CONTACT:
 - GOLD PLATING ON CONTACT AREA. (SEE TABLE)
 - 2.54um[100u"] MIN. MATTE TIN PLATING ON SOLDER TAIL AREA,
 - 1.27um[50u"] MIN. NICKEL UNDERPLATING OVERALL,
 - BOARDLOCK:
 - 2.54um[100u"] MIN MATTE TIN PLATING
 - 1.27um[50u"] MIN NICKEL UNDERPLATING OVERALL,
 - SHELL: NICKEL PLATED
 - RIVET: NICKEL PLATING 0.76um[30u"] OVERALL.
 - FIXED SCREWLOCK: NICKEL PLATING 0.76um[30u"]. MEETS 6 IN-LB TORQUE.
 - RECOMMENDED PCB THICKNESS: 1.6 mm
 - REFLOW SOLDER CAPABLE TO 260°C PER TYCO SPEC. 109-201, CONDITION B.
 - NET WEIGHT: 10.24 g/pcs. (WITH SCREWLOCK)
8.24 g/pcs. (W/O SCREWLOCK)
- ⚠ BOARDLOCK INSERTION FORCE: 1.5±0.5 Kgf [15±5 N]. FOR 5-1734530-3 & 6-1734530-3 ONLY.

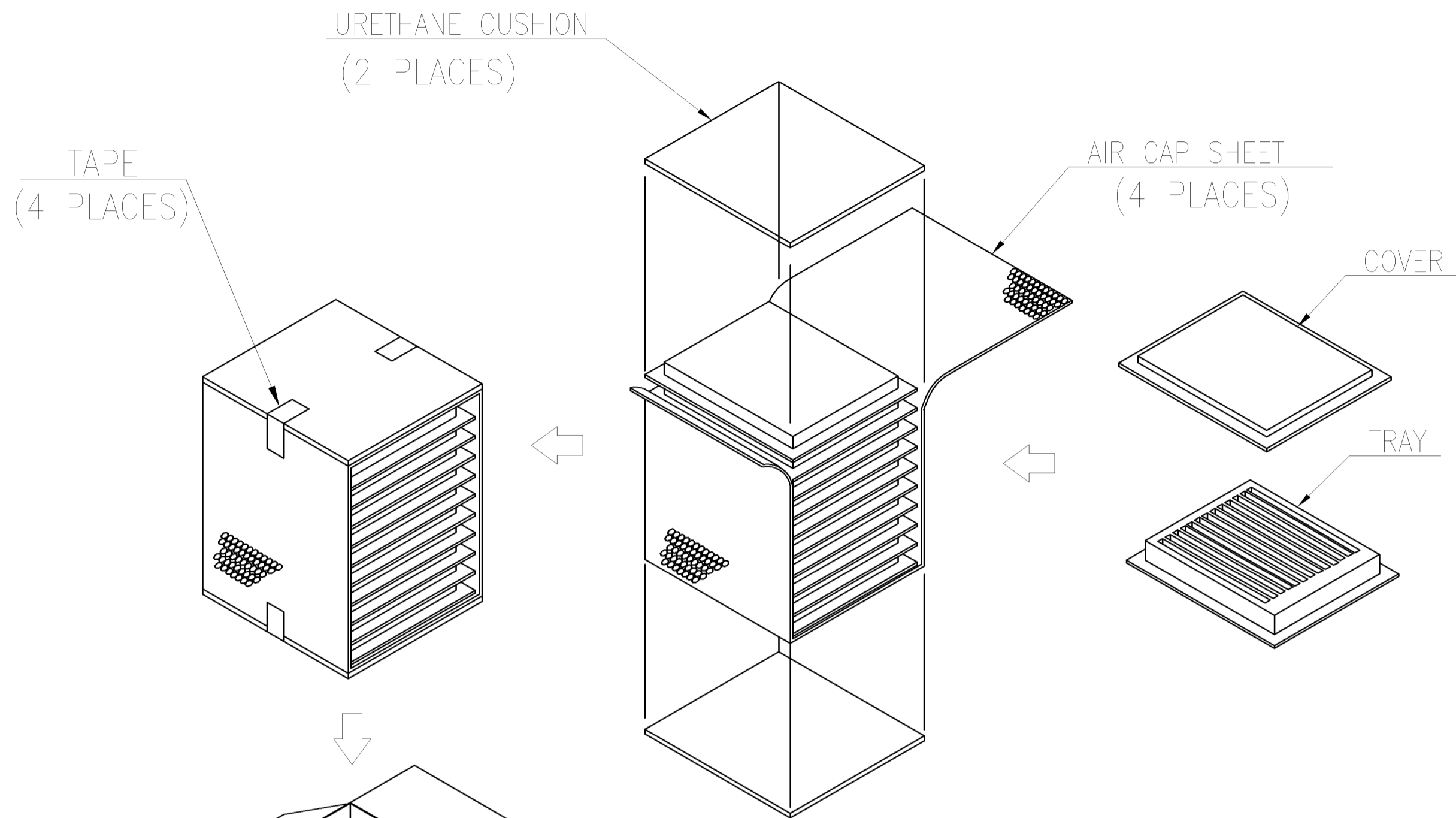


TAPE&REEL	DETAIL	W/	3.78 [⚠]	3.20 [⚠]	3.18	30 μ"	6-1734530-3
TAPE&REEL	DETAIL E	W/	3.78 [⚠]	3.20 [⚠]	3.18	30 μ"	5-1734530-3
TRAY	DETAIL F	W/O	4.00	4.10	3.18	30 μ"	3-1734530-3
TUBE	DETAIL F	W/	4.00	4.10	3.18	30 μ"	2-1734530-3
TUBE	DETAIL F	W/	4.00	4.10	3.18	15 μ"	2-1734530-2
TUBE	DETAIL F	W/	4.00	4.10	3.18	G/F	2-1734530-1
TRAY	DETAIL F	W/	4.00	4.10	2.16	30 μ"	1-1734530-6
TRAY	DETAIL F	W/	4.00	4.10	2.16	15 μ"	1-1734530-5
TRAY	DETAIL F	W/	4.00	4.10	2.16	G/F	1-1734530-4
TRAY	DETAIL F	W/	4.00	4.10	3.18	30 μ"	1-1734530-3
TRAY	DETAIL F	W/	4.00	4.10	3.18	15 μ"	1-1734530-2
TRAY	DETAIL F	W/	4.00	4.10	3.18	G/F	1-1734530-1
TRAY	DETAIL E	W/	4.00	4.10	2.16	30 μ"	1734530-6
TRAY	DETAIL E	W/	4.00	4.10	2.16	15 μ"	1734530-5
TRAY	DETAIL E	W/	4.00	4.10	2.16	G/F	1734530-4
TRAY	DETAIL E	W/	4.00	4.10	3.18	30 μ"	1734530-3
TRAY	DETAIL E	W/	4.00	4.10	3.18	15 μ"	1734530-2
TRAY	DETAIL E	W/	4.00	4.10	3.18	G/F	1734530-1
PACKAGING	MOUNTING FLANGE CONFIGURATION	BOARDLOCK OPTION	DIM C	DIM B	DIM A	Gold Finish	PART NO.

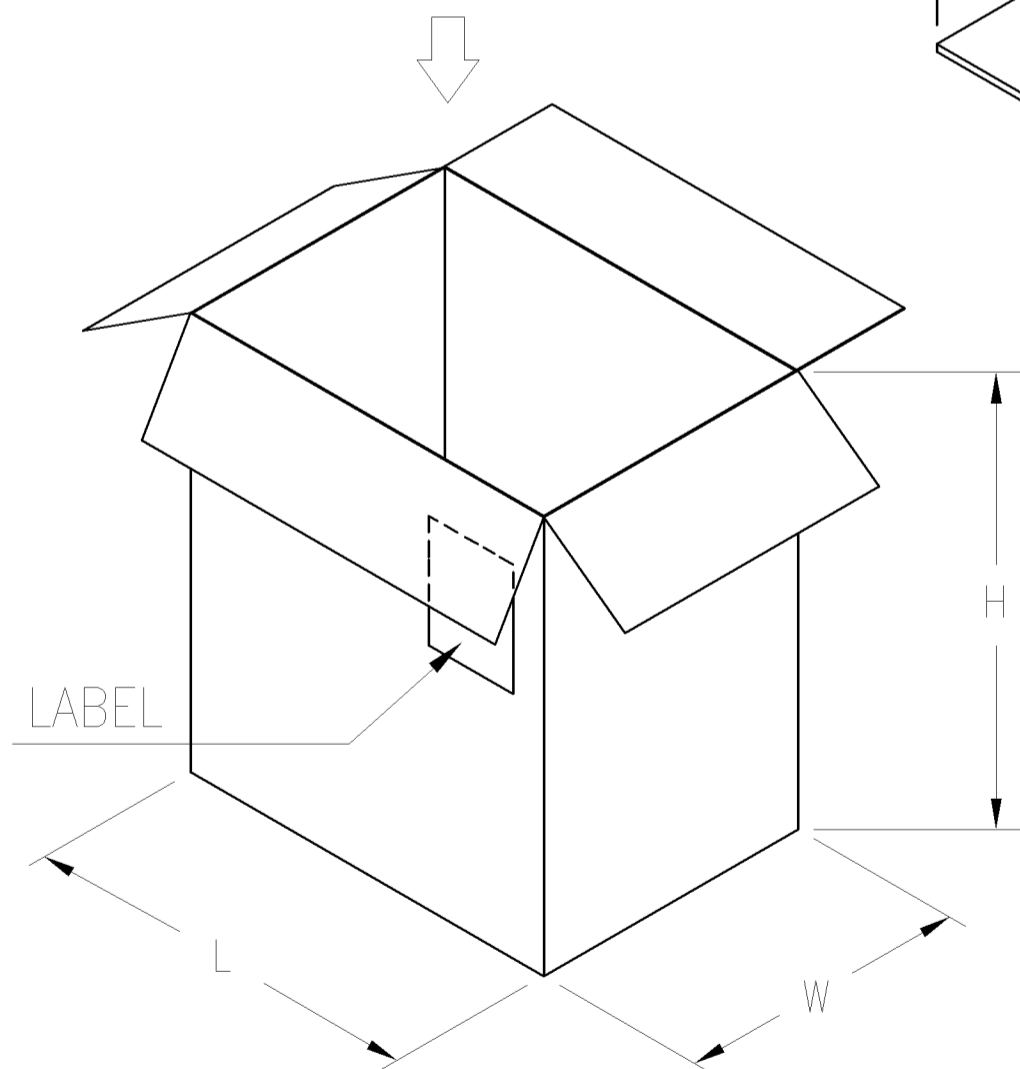
THIS DRAWING IS A CONTROLLED DOCUMENT.		DWN J. LEE 22MAR2007	Tyco Holdings (Bermuda) VII Ltd. Taiwan Branch															
DIMENSIONS: MM		CHK S. HOU 22MAR2007																
TOLERANCES UNLESS OTHERWISE SPECIFIED:		APVD W.J. KE 22MAR2007	NAME RECEPTACLE ASSY, SIZE 1, 15 POSITION, RIGHT ANGLE, THROUGH HOLE															
<table border="1"> <tr> <td>0 PLC</td><td>± -</td> </tr> <tr> <td>1 PLC</td><td>± 0.38</td> </tr> <tr> <td>2 PLC</td><td>± 0.25</td> </tr> <tr> <td>3 PLC</td><td>± 0.15</td> </tr> <tr> <td>4 PLC</td><td>± -</td> </tr> <tr> <td>ANGLES</td><td>± -</td> </tr> </table>		0 PLC	± -	1 PLC	± 0.38	2 PLC	± 0.25	3 PLC	± 0.15	4 PLC	± -	ANGLES	± -	PRODUCT SPEC 108-57541	QUALIFICATION TEST REPORT			
0 PLC	± -																	
1 PLC	± 0.38																	
2 PLC	± 0.25																	
3 PLC	± 0.15																	
4 PLC	± -																	
ANGLES	± -																	
MATERIAL SEE NOTE		FINISH SEE NOTE	WEIGHT SEE NOTE	SIZE A3	CAGE CODE 00779	DRAWING NO C-1734530	RESTRICTED TO -											
CUSTOMER DRAWING			SCALE -	SHEET 1 OF 4	REV A1													

THIS DRAWING IS UNPUBLISHED. RELEASED FOR PUBLICATION
 © COPYRIGHT BY TYCO ELECTRONICS CORPORATION. ALL RIGHTS RESERVED.

LOC	DIST	REVISIONS			
P	LTR	DESCRIPTION	DATE	DWN	APVD
DW	—	SEE SHEET 1.			



- NOTES:
- MATERIAL:
 - 1.1 TRAY: PVC
 - 1.2 SHIPPING CARTON: CORRUGATED FIBERBOARD
 - DIMENSION:
 - 2.1 TRAY: L=320, W=230, H=18.9
 - 2.2 SHIPPING CARTON: L=361, W=245, H=272
 - QUANTITY:
 - 3.1 PRIMARY PACKING: 100 PCS/TRAY
 - 3.2 SECONDARY PACKING: 10 TRAY/CARTON(1000PCS)
 - CARTON WEIGHT:
 - 4.1 NET WEIGHT: 10.24 Kg (W/SCREWLOCK)
 - 4.2 GROSS WEIGHT: 11.24 Kg (W/SCREWLOCK)
 - 4.3 NET WEIGHT: 8.24 Kg (W/O SCREWLOCK)
 - 4.4 GROSS WEIGHT: 9.24 Kg (W/O SCREWLOCK)

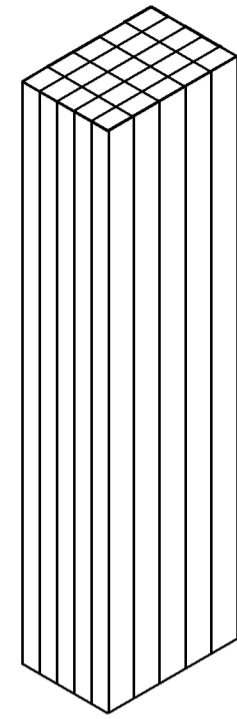
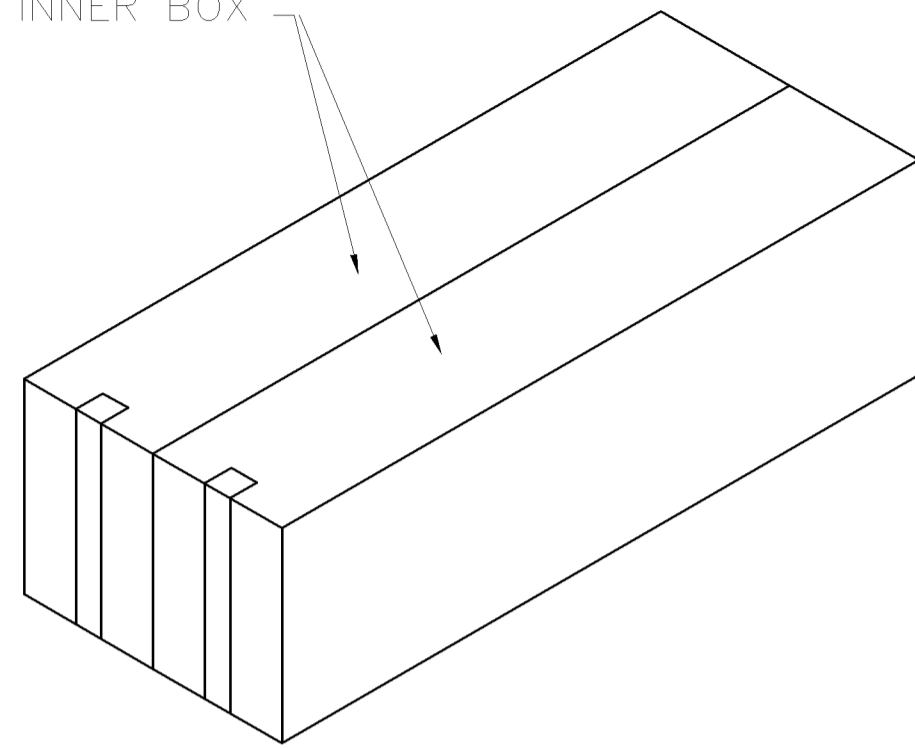


THIS DRAWING IS A CONTROLLED DOCUMENT.		DWN J. LEE 22MAR2007	tyco Tyco Holdings (Bermuda)	
		CHK S. HOU 22MAR2007	Electronics VII Ltd. Taiwan Branch	
		APVD W.J. KE 22MAR2007	NAME RECEPTACLE ASSY, SIZE 1, 15 POSITION, RIGHT ANGLE, THROUGH HOLE	
DIMENSIONS: MM		TOLERANCES UNLESS OTHERWISE SPECIFIED:		SIZE A3
		0 PLC ± -	CAGE CODE 00779	
		1 PLC ± -	DRAWING NO C=1734530	
		2 PLC ± -	RESTRICTED TO	
		3 PLC ± -	—	
		4 PLC ± -	—	
		ANGLES ± -	—	
MATERIAL		FINISH	WEIGHT —	
—		—	CUSTOMER DRAWING	
			SCALE —	SHEET 2 OF 4
			REV A1	

THIS DRAWING IS UNPUBLISHED. RELEASED FOR PUBLICATION
 © COPYRIGHT BY TYCO ELECTRONICS CORPORATION. ALL RIGHTS RESERVED.

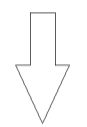
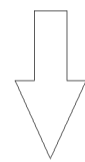
LOC	DIST	REVISIONS			
P	LTR	DESCRIPTION	DATE	DWN	APVD
		SEE SHEET 1.			

INNER BOX

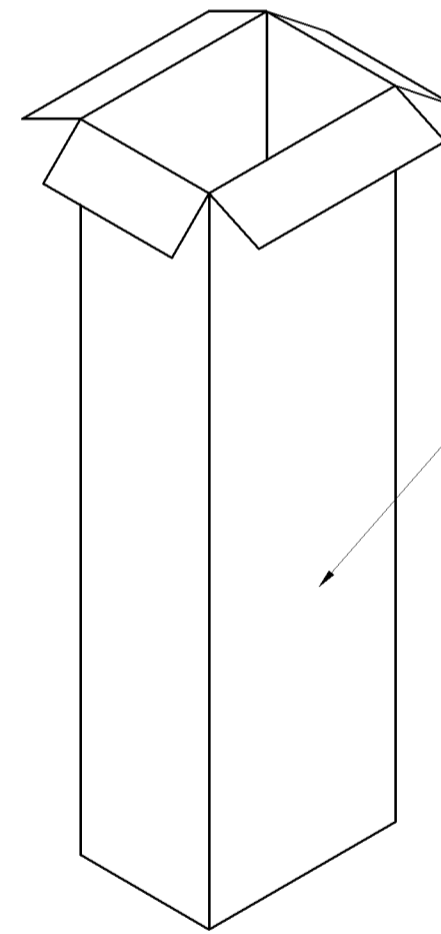
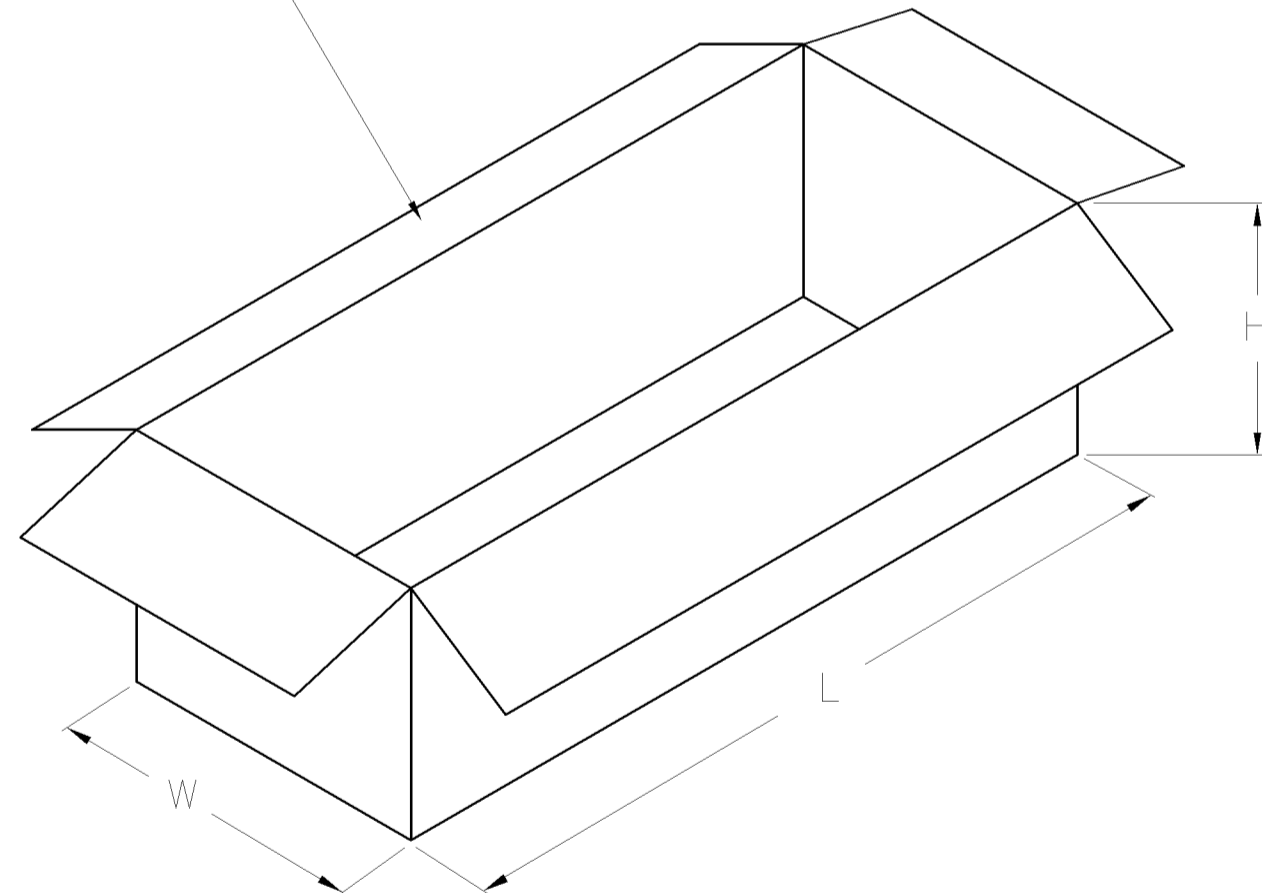


TUBE

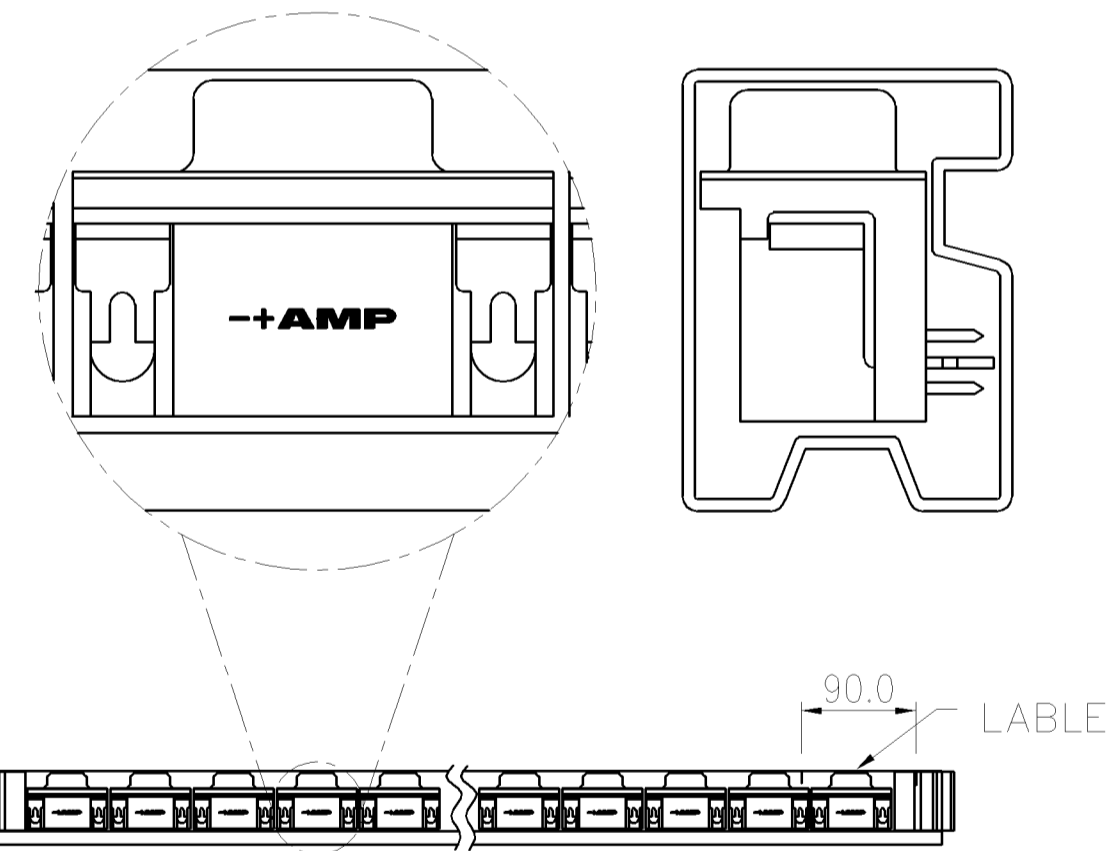
- NOTES:
- MATERIAL:
 - TUBE: PVC
 - SHIPPING CARTON: CORRUGATED FIBERBOARD
 - DIMENSION:
 - TUBE: L=560, W=17.8, H=27.4
 - SHIPPING CARTON: L=600, W=245, H=195
 - QUANTITY:
 - PRIMARY PACKING: 17 PCS/TUBE
 - SECONDARY PACKING: 25 TUBE/BOX
 - THIRD PACKING: 2 BOX/CARTON(850PCS)
 - CARTON WEIGHT:
 - NET WEIGHT: 8.7 Kg (W/O SCREWLOCK)
 - GROSS WEIGHT: 9.7 Kg (W/O SCREWLOCK)



CARTON



INNER BOX

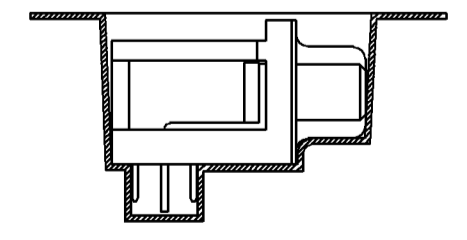
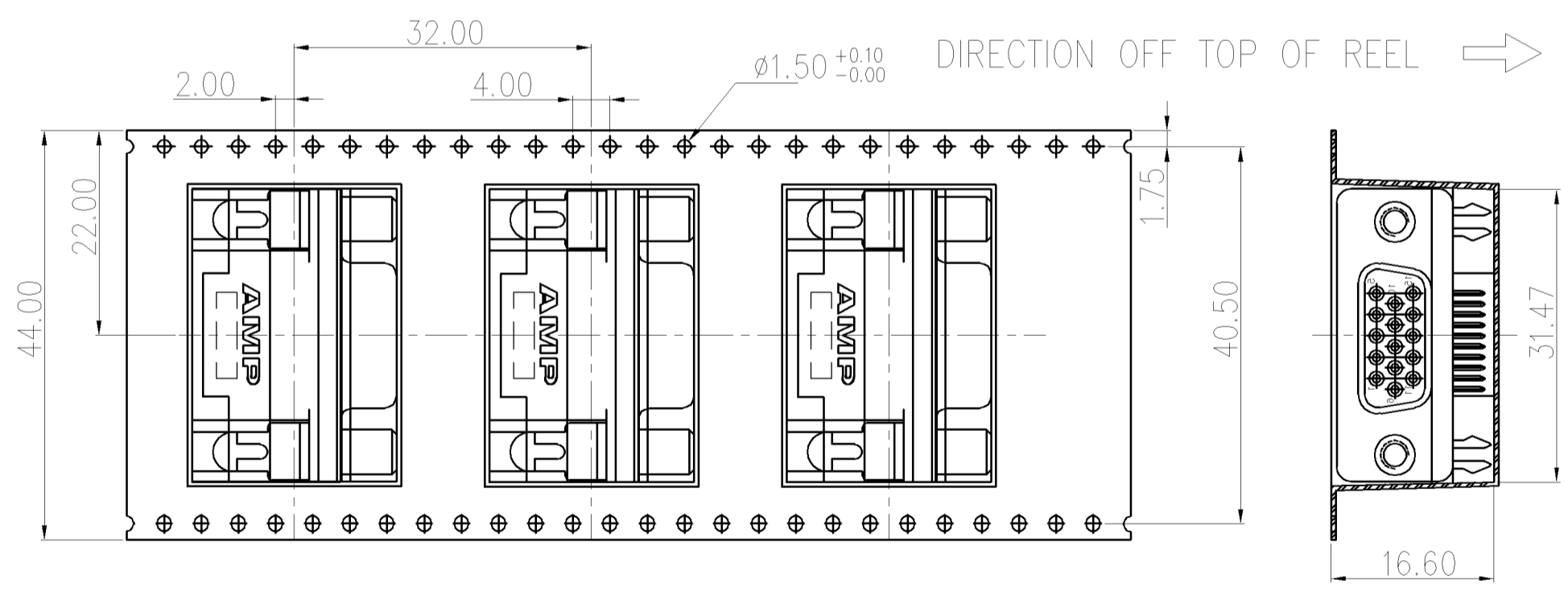
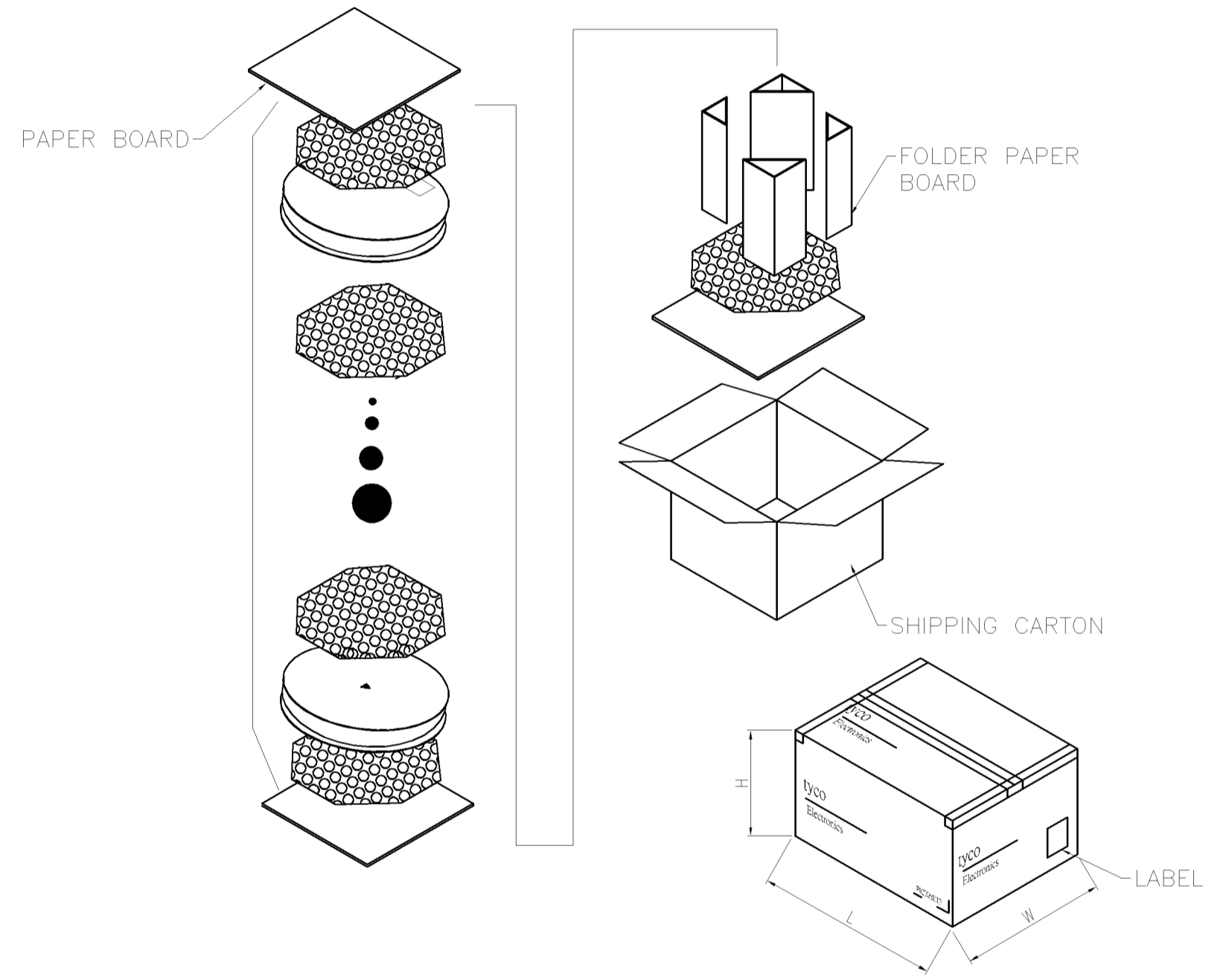
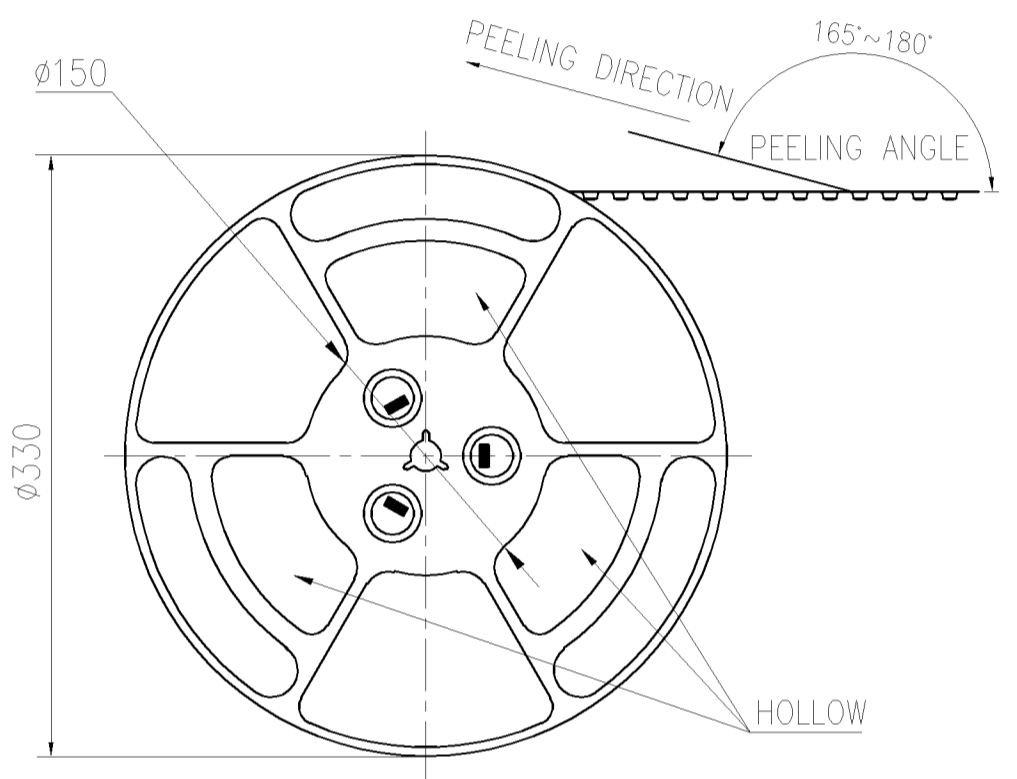
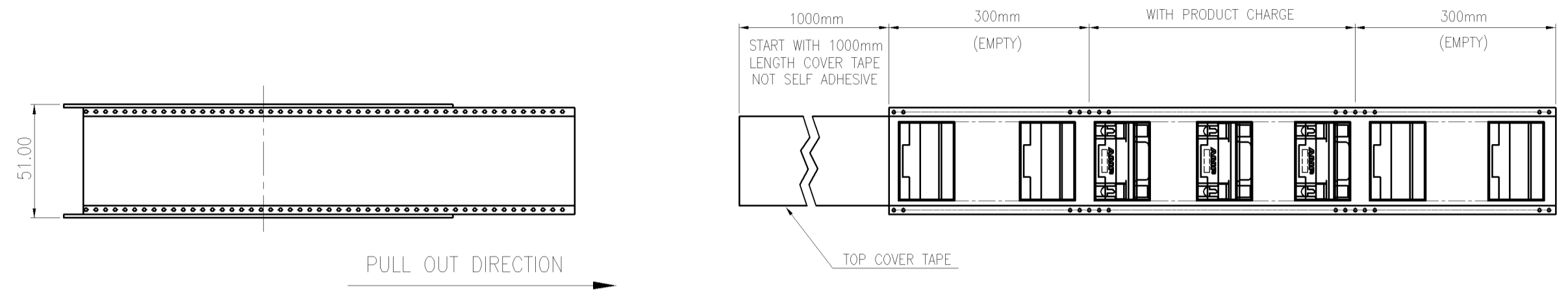


THIS DRAWING IS A CONTROLLED DOCUMENT.		DWN J. LEE 22MAR2007	tyco Tyco Holdings (Bermuda)													
DIMENSIONS: MM		CHK S. HOU 22MAR2007	Electronics VII Ltd. Taiwan Branch													
TOLERANCES UNLESS OTHERWISE SPECIFIED:		APVD W.J. KE 22MAR2007	NAME RECEPTACLE ASSY, SIZE 1, 15 POSITION, RIGHT ANGLE, THROUGH HOLE													
<table border="1"> <tr><td>0 PLC</td><td>± -</td></tr> <tr><td>1 PLC</td><td>± -</td></tr> <tr><td>2 PLC</td><td>± -</td></tr> <tr><td>3 PLC</td><td>± -</td></tr> <tr><td>4 PLC</td><td>± -</td></tr> <tr><td>ANGLES</td><td>± -</td></tr> </table>		0 PLC	± -	1 PLC	± -	2 PLC	± -	3 PLC	± -	4 PLC	± -	ANGLES	± -	PRODUCT SPEC -	SIZE A3	CAGE CODE 00779
0 PLC	± -															
1 PLC	± -															
2 PLC	± -															
3 PLC	± -															
4 PLC	± -															
ANGLES	± -															
MATERIAL		APPLICATION SPEC -	DRAWING NO C-1734530	RESTRICTED TO -												
FINISH		WEIGHT -	CUSTOMER DRAWING													
		SCALE -	SHEET 3 OF 4	REV A1												

THIS DRAWING IS UNPUBLISHED. RELEASED FOR PUBLICATION
 © COPYRIGHT BY TYCO ELECTRONICS CORPORATION. ALL RIGHTS RESERVED.

LOC DW
 DIST —

REVISIONS				
P	LTR	DESCRIPTION	DATE	APVD
		SEE SHEET 1.		



PRODUCT TYPE	PCS/REEL	REEL/CARTON	TOTAL(PCS)	CTN SIZE (CM)	NW(Kg)	GW(Kg)
D-SUB H/D 15P	100	6	600	360X360X350	5.4	5.9

THIS DRAWING IS A CONTROLLED DOCUMENT.

DIMENSIONS: MM	TOLERANCES UNLESS OTHERWISE SPECIFIED:
	0 PLC ± -
	1 PLC ± -
	2 PLC ± -
	3 PLC ± -
	4 PLC ± -
	ANGLES ± -
MATERIAL	FINISH

DWN J. LEE 22MAR2007		Tyco Holdings (Bermuda) VII Ltd. Taiwan Branch		
CHK S. HOU 22MAR2007		NAME		
APVD W.J. KE 22MAR2007		RECEPTACLE ASSY, SIZE 1, 15 POSITION, RIGHT ANGLE, THROUGH HOLE		
PRODUCT SPEC	SIZE	CAGE CODE	DRAWING NO	RESTRICTED TO
—	A3	00779	G-1734530	—
APPLICATION SPEC	CUSTOMER DRAWING		SCALE	SHEET
—	—		—	4 OF 4
WEIGHT	—		REV	A1
—	—		—	—