

Distributed by:

JAMECO[®]
ELECTRONICS

www.Jameco.com ♦ 1-800-831-4242

The content and copyrights of the attached
material are the property of its owner.

Jameco Part Number 740113

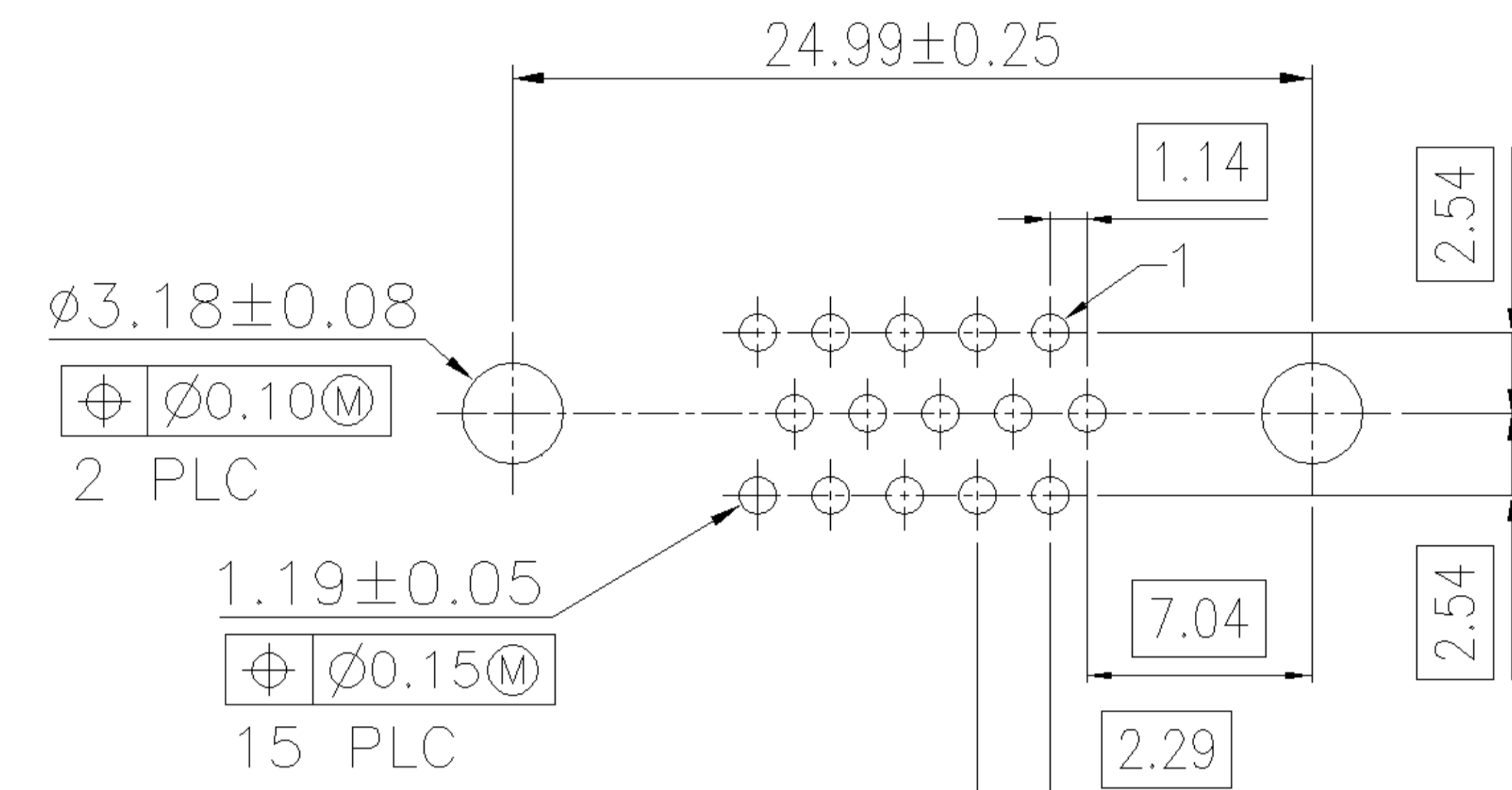
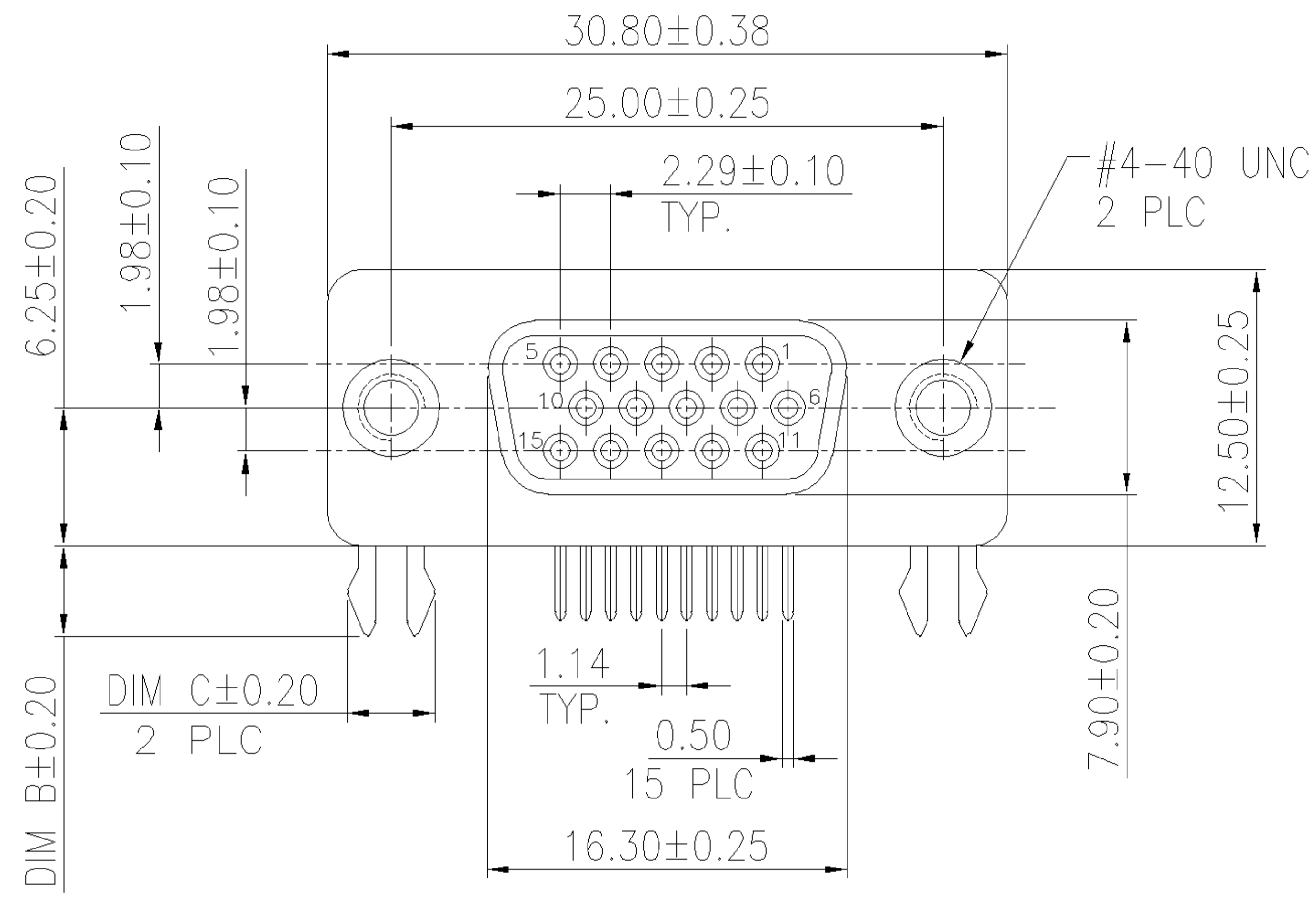
NUMBER
C-1734530

3RD ANGLE PROJECTION

METRIC

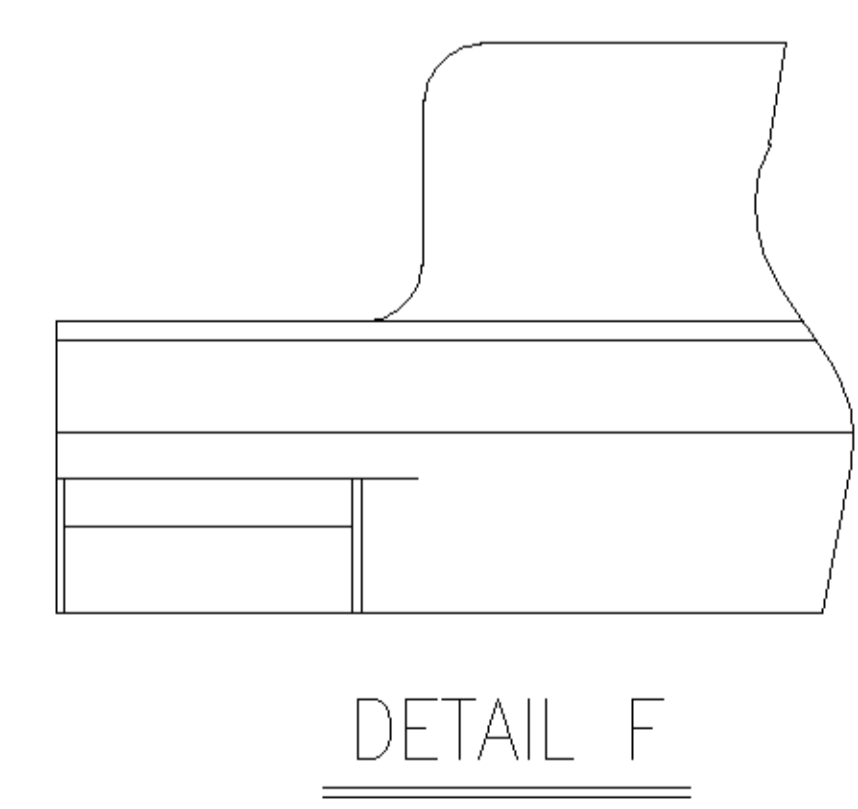
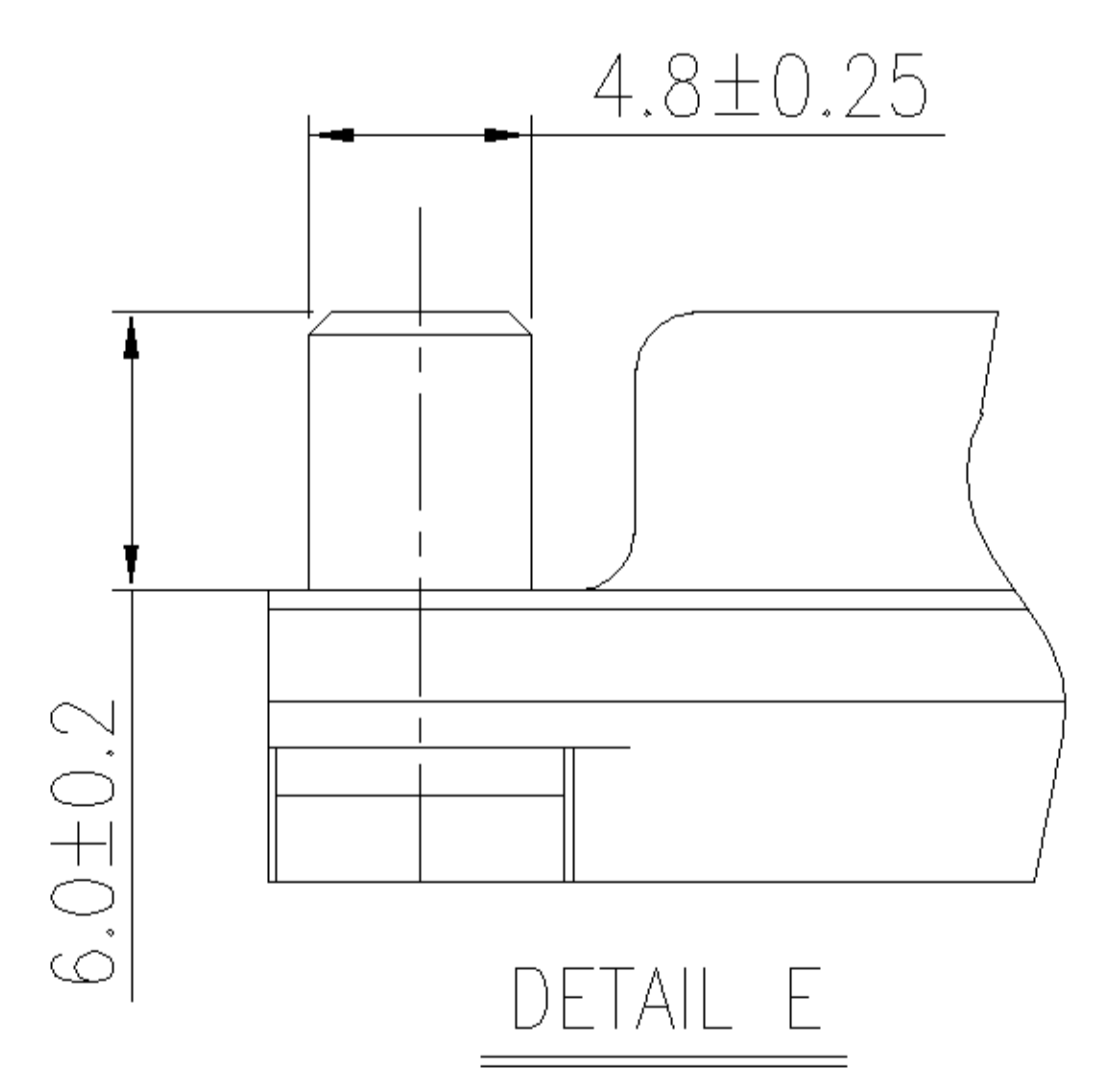
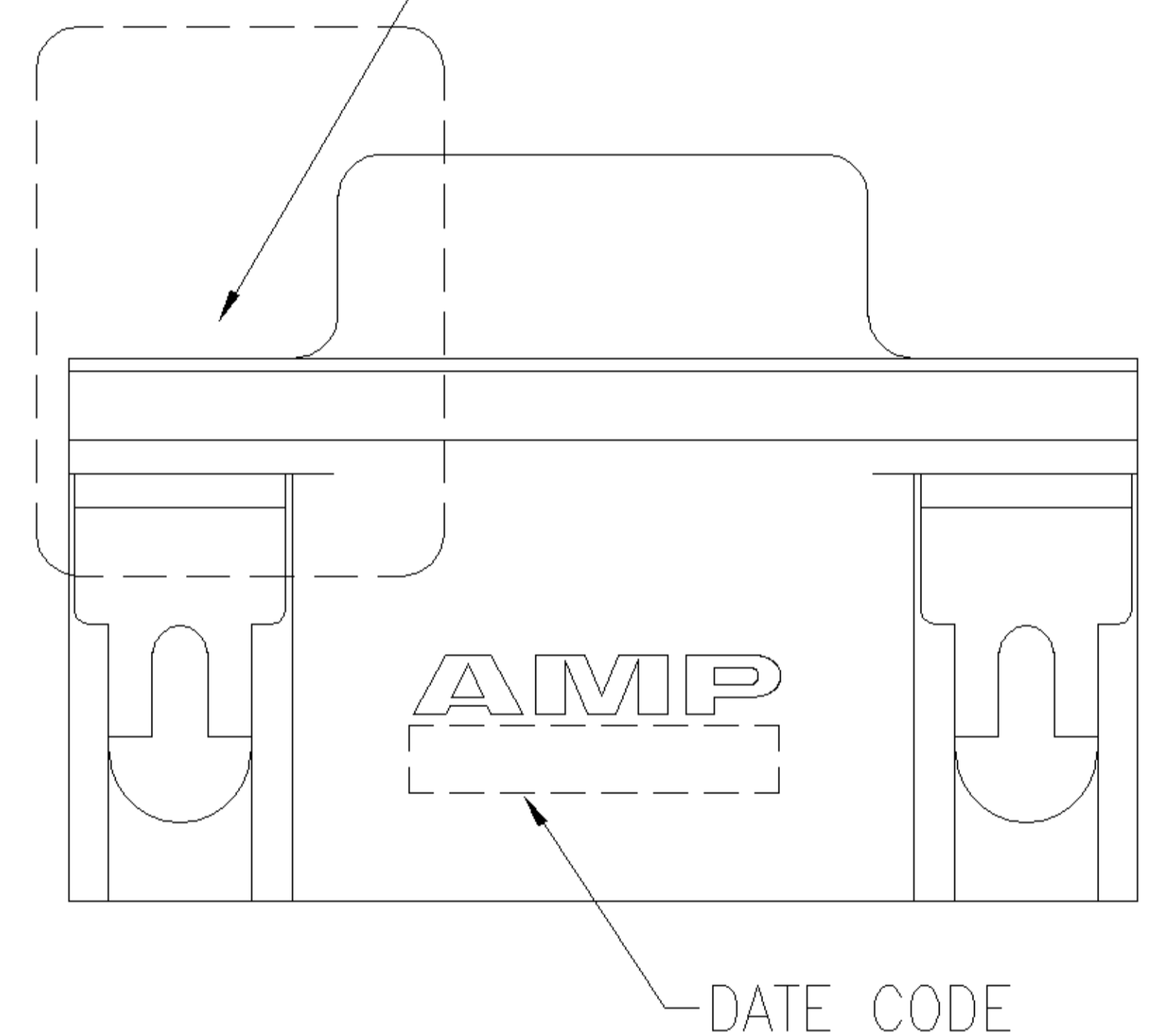
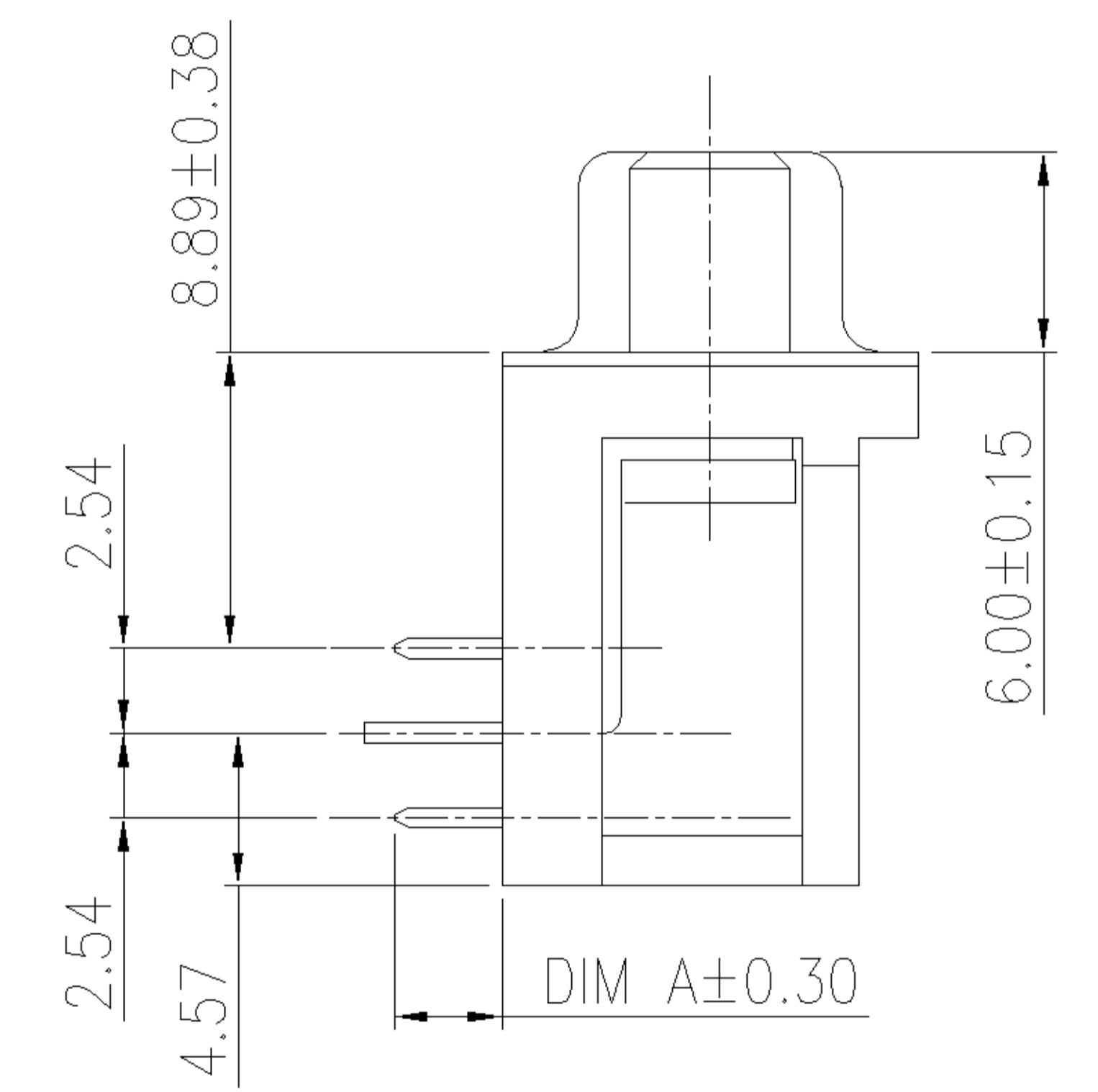
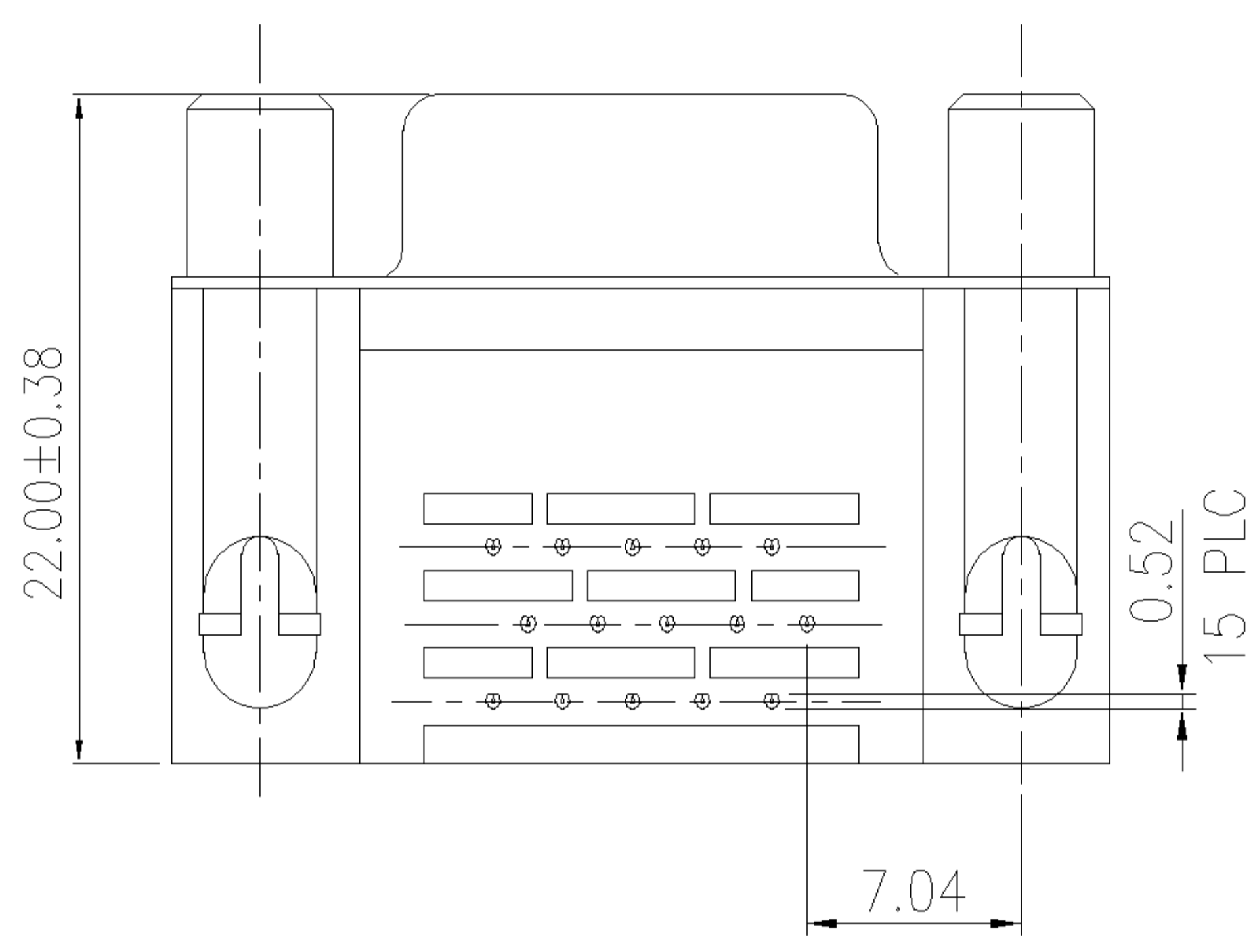
THIS INFORMATION IS CONFIDENTIAL AND IS DISCLOSED TO YOU ON CONDITION THAT NO FURTHER DISCLOSURE IS MADE BY YOU TO OTHER THAN AMP PERSONNEL WITHOUT WRITTEN AUTHORIZATION FROM AMP (TAIWAN) LTD. DIMENSIONS IN MILLIMETERS. DO NOT SCALE PRINT.

PRINT
DW



RECOMMENDED P.C. BOARD LAYOUT

SEE TABLE FOR MOUNTING FLANGE CONFIGURATION



NOTES:

- MATERIAL:
 - HOUSING: THERMOPLASTIC(NY9T), UL 94V-0 RATED,BLACK
 - CONTACTS: PHOPHOR BRONZE
 - SHELL: SPCC
 - BOARDLOCKS: BRASS
 - RIVET: BRASS
 - SCREWLOCK: BRASS
- FINISH:
 - CONTACT: GOLD PLATING ON CONTACT AREA. (SEE TABLE) 2.54um[100u"] MIN. MATTE TIN PLATING ON SOLDER TAIL AREA, 1.27um[50u"] MIN. NICKEL UNDERPLATING OVERALL,
 - BOARDLOCK: 2.54um[100u"] MIN MATTE TIN PLATING 1.27um[50u"] MIN NICKEL UNDERPLATNG OVERALL,
 - SHELL: NICKEL PLATED
 - RIVET: NICKEL PLATING 0.76um[30u"] OVERALL.
 - FIXED SCREWLOCK: NICKEL PLATING 0.76um[30u"], MEETS 6 IN-LB TORQUE.
- RECOMMENDED PCB THICKNESS: 1.6 mm
- REFLOW SOLDER CAPABLE TO 260°C PER TYCO SPEC. 109-201, CONDITION B.
- NET WEIGHT:10.24 g/pcs. (WITH SCREWLOCK) 8.24 g/pcs. (W/O SCREWLOCK)
- BOARDLOCK INSERTION FORCE: 1.5±0.5 Kgf [15±5 N]. FOR 5-1734530-3 & 6-1734530-3 ONLY.

TAPE&REEL	DETAIL	W/	3.78	3.20	3.18	30 μ"	PART NO.
TAPE&REEL	DETAIL E	W/	3.78	3.20	3.18	30 μ"	5-1734530-3
TRAY	DETAIL F	W/O	4.00	4.10	3.18	30 μ"	3-1734530-3
TUBE	DETAIL F	W/	4.00	4.10	3.18	30 μ"	2-1734530-3
TUBE	DETAIL F	W/	4.00	4.10	3.18	15 μ"	2-1734530-2
TUBE	DETAIL F	W/	4.00	4.10	3.18	G/F	2-1734530-1
TRAY	DETAIL F	W/	4.00	4.10	2.16	30 μ"	1-1734530-6
TRAY	DETAIL F	W/	4.00	4.10	2.16	15 μ"	1-1734530-5
TRAY	DETAIL F	W/	4.00	4.10	2.16	G/F	1-1734530-4
TRAY	DETAIL F	W/	4.00	4.10	3.18	30 μ"	1-1734530-3
TRAY	DETAIL F	W/	4.00	4.10	3.18	15 μ"	1-1734530-2
TRAY	DETAIL F	W/	4.00	4.10	3.18	G/F	1-1734530-1
TRAY	DETAIL E	W/	4.00	4.10	2.16	30 μ"	1734530-6
TRAY	DETAIL E	W/	4.00	4.10	2.16	15 μ"	1734530-5
TRAY	DETAIL E	W/	4.00	4.10	2.16	G/F	1734530-4
TRAY	DETAIL E	W/	4.00	4.10	3.18	30 μ"	1734530-3
TRAY	DETAIL E	W/	4.00	4.10	3.18	15 μ"	1734530-2
TRAY	DETAIL E	W/	4.00	4.10	3.18	G/F	1734530-1
PACKAGING	MOUNTING FLANGE CONFIGURATION	BOARDLOCK OPTION	DIM C	DIM B	DIM A	Gold Finish	PART NO.

TOLERANCES UNLESS OTHERWISE SPECIFIED: 0 PLC ±0.5 1 PLC ±0.2 2 PLC ±0.1 3 PLC ±0.05 ANGLES ±3'	DWN J. LEE 27-APR-2006	<p>TYCO HOLDINGS (BERMUDA) VII LTD. TAIWAN BRANCH</p>
MATERIAL	CHK S. HOU 27-APR-2006	
SEE NOTE	APVD W.J. KE 27-APR-2006	NAME RECEPTACLE ASSY, SIZE 1, 15 POSITION, RIGHT ANGLE, THROUGH HOLE
FINISH	PRODUCT SPEC 108-57541	LOC DW SCALE
SEE NOTE	APPLICATION SPEC 501-57623	SIZE A ₃ DRAWING NO C-1734530
	WEIGHT	SHEET 1 OF 4

A	REVISION	ECN	DATE
A	REVISED	ECR-06-007034	JL SH 27-APR-2006
O	NEW RELEASED	--	JL SH 22-AUG-2005
LTR	REVISION RECORD	ECN	DWN CHK DATE