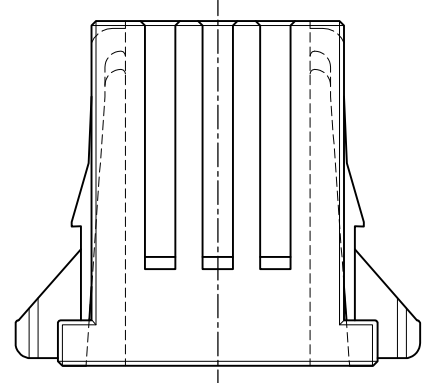
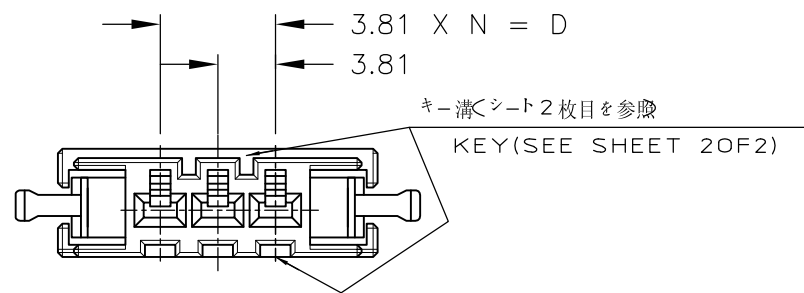
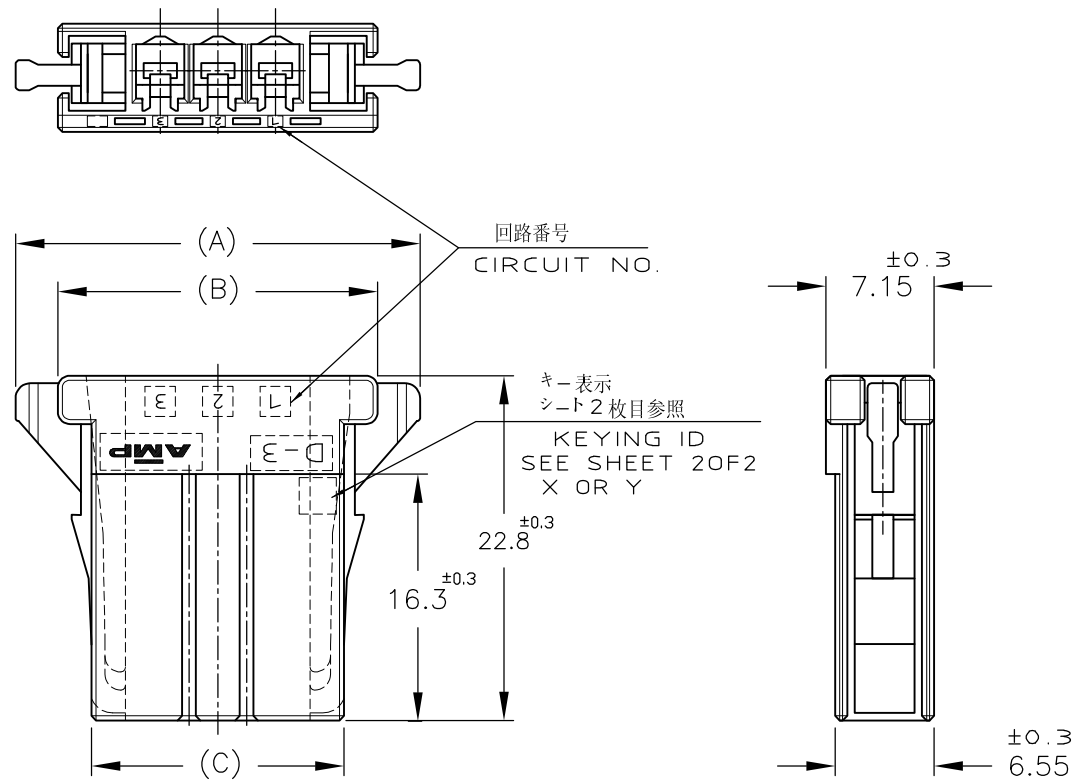


NUMBER 178288



METRIC

PRINT DIST 单位 耗 DIMENSIONS IN MM. DO NOT SCALE PRINT



NOTE

1 MATERIAL: GLASS FIELD THERMO PLASTIC, POLYESTER
 COLOR: BLACK
~~△ TO COAT ALL SURFACE OF HOUSING WITH TEFLON~~

注記

1 材料: ガラス入り熱可塑性ポリエステル樹脂
 色: 黒色
~~△ ハウジング全面にテフロン塗装のこと~~

	10 POS.	53.43	47.83	43.37	34.29	9	2-178288-8
	10 POS.	53.43	47.83	43.37	34.29	9	1-178288-8
	8 POS.	45.81	40.12	35.97	26.67	7	1-178288-7
	6 POS.	38.19	32.59	28.13	19.05	5	2-178288-6
	6 POS.	38.19	32.59	28.13	19.05	5	1-178288-6
	5 POS.	34.38	28.78	24.32	15.24	4	1-178288-5
	4 POS.	30.57	24.97	20.51	11.43	3	2-178288-4
	4 POS.	30.57	24.97	20.51	11.43	3	1-178288-4
OBSOLETE	△ 3 POS.	26.76	21.16	16.7	7.62	2	6-178288-3
OBSOLETE	△ 3 POS.	26.76	21.16	16.7	7.62	2	5-178288-3
	3 POS.	26.76	21.16	16.7	7.62	2	2-178288-3
	3 POS.	26.76	21.16	16.7	7.62	2	1-178288-3
FINISH	POS. / DIMENSION	A	B	C	D	N	PART NUMBER

				STE TE Connectivity					
				REC HSG FOR DYNAMIC, SINGLE ROW ダイナミックφ-3100リセハウジング					
				名稱(NAME)					
				材料(MATERIAL) SEE NOTE 注記参照					
				仕上(FINISH)					
				一般公差 (GENERAL TOLERANCE)					
				10以下 : ±0.2 10以上 30以下 : ±0.25 30以上 100以下 : ±0.3 角度 : ±3°					
				SIZE A3		LOC J		番号(No.) C=178288	
				尺度(SCALE) 2-1		REV. E4		SHEET 1 OF 2	
E4	REVISED PER ECO-11-005030	RK	HMR	21MAR11	DR.	9 JUL 91	DE.	9 JUL 91	
						N. Matsubara		N. Matsubara	
LTR	変更 (REVISION RECORD)	DR	CHK	DATE	CHK.	17 JUL 91	APP.	17-DEC-'91	
						H. Obata		S. MANABE	

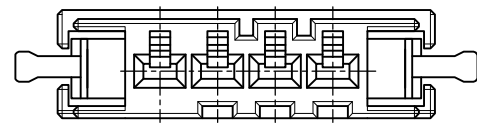
NUMBER
178288



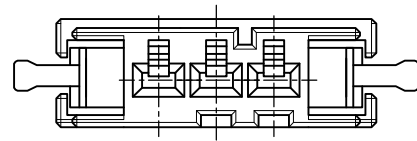
METRIC

PRINT DIST
単位 耗 DIMENSIONS IN MM. DO NOT SCALE PRINT

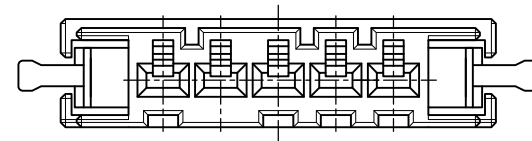
KEYING LOCATION



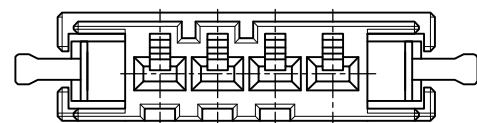
(P/N 2-178288-4 ONLY)
(KEYING: Y)



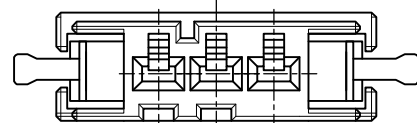
(P/N 2-178288-3 ONLY)
(KEYING: Y)



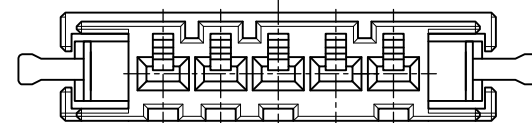
(P/N 2-178288-6,-8)
(KEYING: Y)



(P/N 1-178288-4 ONLY)
(KEYING: X)



(P/N 1-178288-3 ONLY)
(KEYING: X)



(P/N 1-178288-5,-6,-7,-8)
(KEYING: X)

					STE TE Connectivity	
抱合電線断面(WIRE RANGE) mm(AWG -)			被覆外径(INSULATION DIA.) mmφ		名称(NAME) REC HSG FOR DYNAMIC,SINGLE ROW ダイナミック-3100リセハウジング	
材料(MATERIAL) SEE NOTE 注記参照			仕上(FINISH) ---		一般公差 (GENERAL TOLERANCE) 10以下 : ±0.2 10を超え 30以下 : ±0.25 30を超え 100以下 : ±0.3 角度 : ±3°	
SEE 1 OF 2			DR. DE. OF 2		SIZE A3	LOC J
LTR	変更 (REVISION RECORD)	DR	CHK	DATE	CHK. SEE 1 OF 2 APP.	番号(No.) 178288
					尺度(SCALE) 2-1	REV. E4
					SHEET 2 OF 2	

(CUSTOMER DRAWING) 顧客用図面