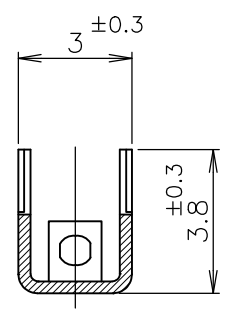
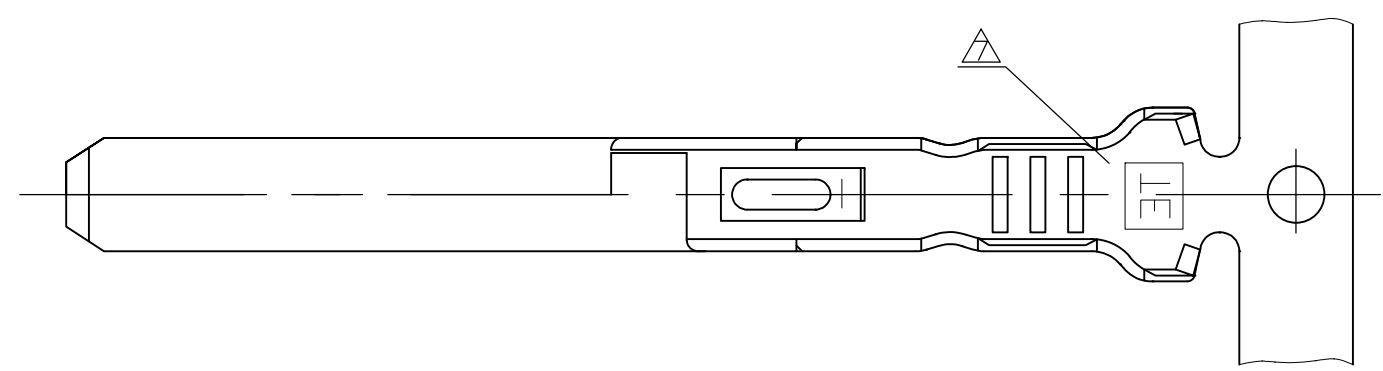


THIS DRAWING IS UNPUBLISHED. RELEASED FOR PUBLICATION
 © COPYRIGHT BY TYCO ELECTRONICS CORPORATION. ALL RIGHTS RESERVED.

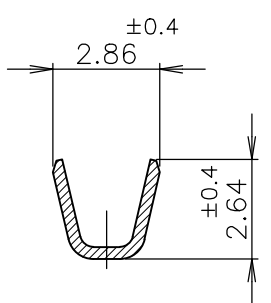
LOC	DIST	REVISIONS					
ES	00	P	LTR	DESCRIPTION	DATE	DWN	APVD
			B1	REVISED ECR-15-001258	10SEP2015	J.J	W.H



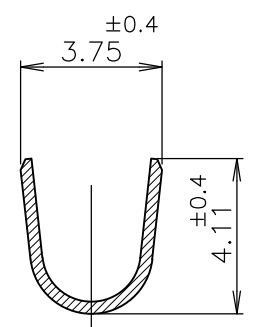
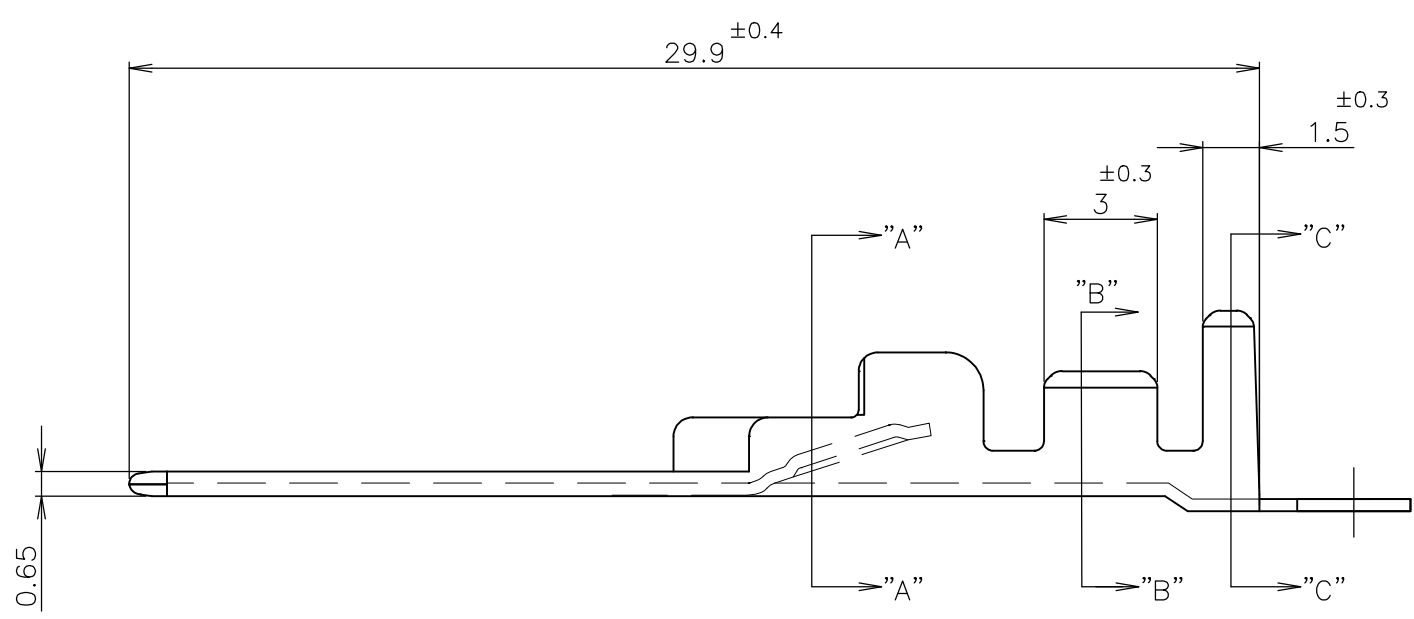
SECT "A"-"A"



- NOTES;
- ① MATERIAL : COPPER ALLOY.
 - ② FINISH : PRE-PLATED
NICKEL PL ALL OVER
CONTACT AREA : GOLD PL.
BARREL AREA : TIN-LEAD PL.
 - ③ FINISH : TIN PL ALL OVER.
 - ④ FINISH : PRE-PLATED
NICKEL PL ALL OVER
CONTACT AREA : GOLD PL.
BARREL AREA : TIN PL.
5. USED CONNECTOR P/N : X-179325-X,X-179318-X
: X-179388-X
- ⚠ GENERAL TOLERANCE
 10 ≥ : ±0.2
 30 ≥ >10: ±0.25
 100 ≥ >30: ±0.3
 ANGLES: ±3°
- ⚠ TRADE MARK: "TE"



SECT "B"-"B"



SECT "C"-"C"

	④	179321-3
	③	1-179321-2
OBSOLETE	②	179321-2
	FINISH	P/N

WIRE RANGE	INSULATION DIA
0.5~1.25mm ² (AWG16~20)	∅1.6~2.8 mm

THIS DRAWING IS A CONTROLLED DOCUMENT.		DWN	T.YAMAD	10MAR2003	 Tyco Electronics Corporation Shanghai, P.R.China, 200233
DIMENSIONS: MM		CHK	Y.FUJIURA	08FEB94	
TOLERANCES UNLESS OTHERWISE SPECIFIED:		APVD	Y.FUJIURA	08FEB94	
0 PLC ± 1 PLC ± 2 PLC ± 3 PLC ± 4 PLC ± ANGLES ±		PRODUCT SPEC	NAME		
MATERIAL		FINISH		APPLICATION SPEC	PLUG TAB CONTACT HYBRID MINI DRAWER CONNECTOR
①		② ③ ④		114-5182	SIZE
		CUSTOMER DRAWING		WEIGHT	A3
				CAGE CODE	00779
				DRAWING NO	C-179321
				RESTRICTED TO	-
				SCALE	1:1
				SHEET	1 OF 1
				REV	B1