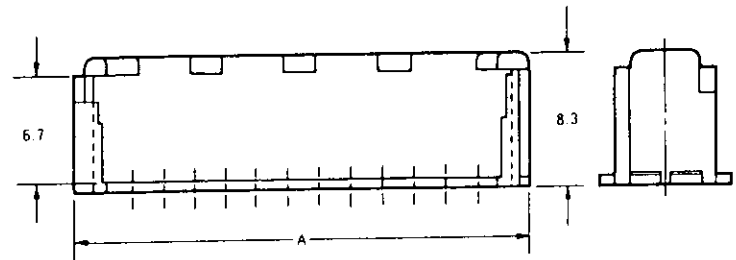
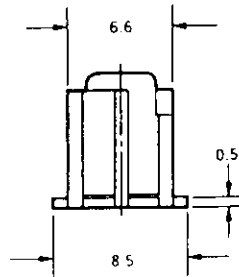
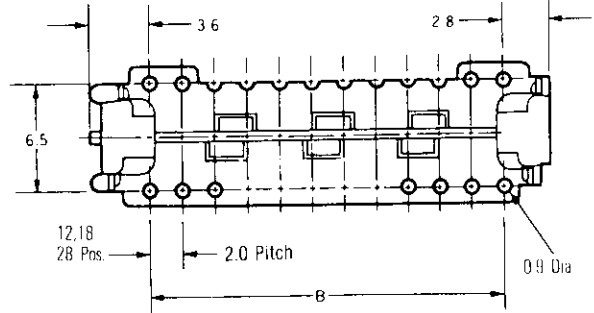
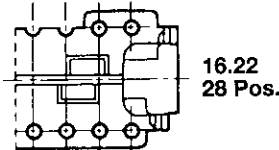
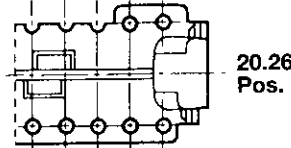
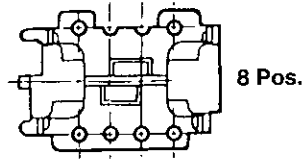


Wire to Board Connectors CT (Common Termination) Connector System Double Row Arrangement

Receptacle Connector Captivating Holder Reinforced Retention Connectors Type (Wire Application Side)

(Applicable connectors are crimp-type II receptacle connectors.)

Material : 66 Nylon, natural



No. of Pos.	Dimensions		Part Number of Holder*	Part Number of Applicable Connector* Crimp Type II Connector*
	A	B		
8***	12.3	6.0	179472-8	179228-4
12***	16.3	10.0	1-179472-2	179228-6
16	20.3	14.0	1-179472-6	179228-8
18	22.3	16.0	1-179472-8	179228-9
20	24.3	18.0	2-179472-0	1-179228-0
22	26.3	20.0	2-179472-2	1-179228-1
24	28.3	22.0	2-179472-4	1-179228-2
26	30.3	24.0	2-179472-6	1-179228-3
28	32.3	26.0	2-179472-8	1-179228-4
30	34.3	28.0	3-179472-0	1-179228-5

* For receptacle connectors, refer to sections on crimp-type II connectors.
 ** As to receptacle connectors, two pieces each are required per holder.
 *** 8 pos. & 12pos. are for drawer.

4