

NOTES:
 THE MARKING TEXT AS FOLLOWS:

| | |
|------------------|--|
| Press-fit Cable | TE PN |
| TE PN: 2159562-X | BAR CODE |
| SN: PCTYYWSSSSSS | PCT-Press-fit Cable.YYWW-DATE CODE, SSSSS-SERIES NUMBER. |

- 100% ELECTRICALLY TESTED: OPEN/SHORT, HI-POT. HI-POT: 500VDC, 50 MEGAOHMS FOR 100 MILLISECONDS.
- ROHS COMPLIANCE: PRODUCT AND PROCESSING MEETS REQUIREMENTS OF TE SPECIFICATION TEC-138-702.
- SCREW FOR PRESS-FIT CONN WILL BE PACKAGED SEPARATELY. RECOMMEND TOOL FOR SCREW: SIZE RANGE 1.7~2MM CROSS SCREWDRIVER, TORQUE RANGE 0.10~0.15N.M.

CABLE LENGTH BEFORE INSERTING PRESS-FIT HOUSING

WIRING CHART:

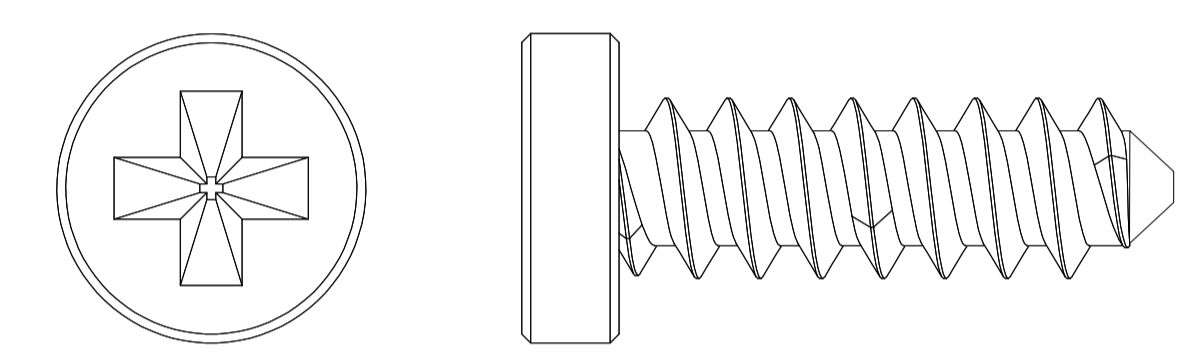
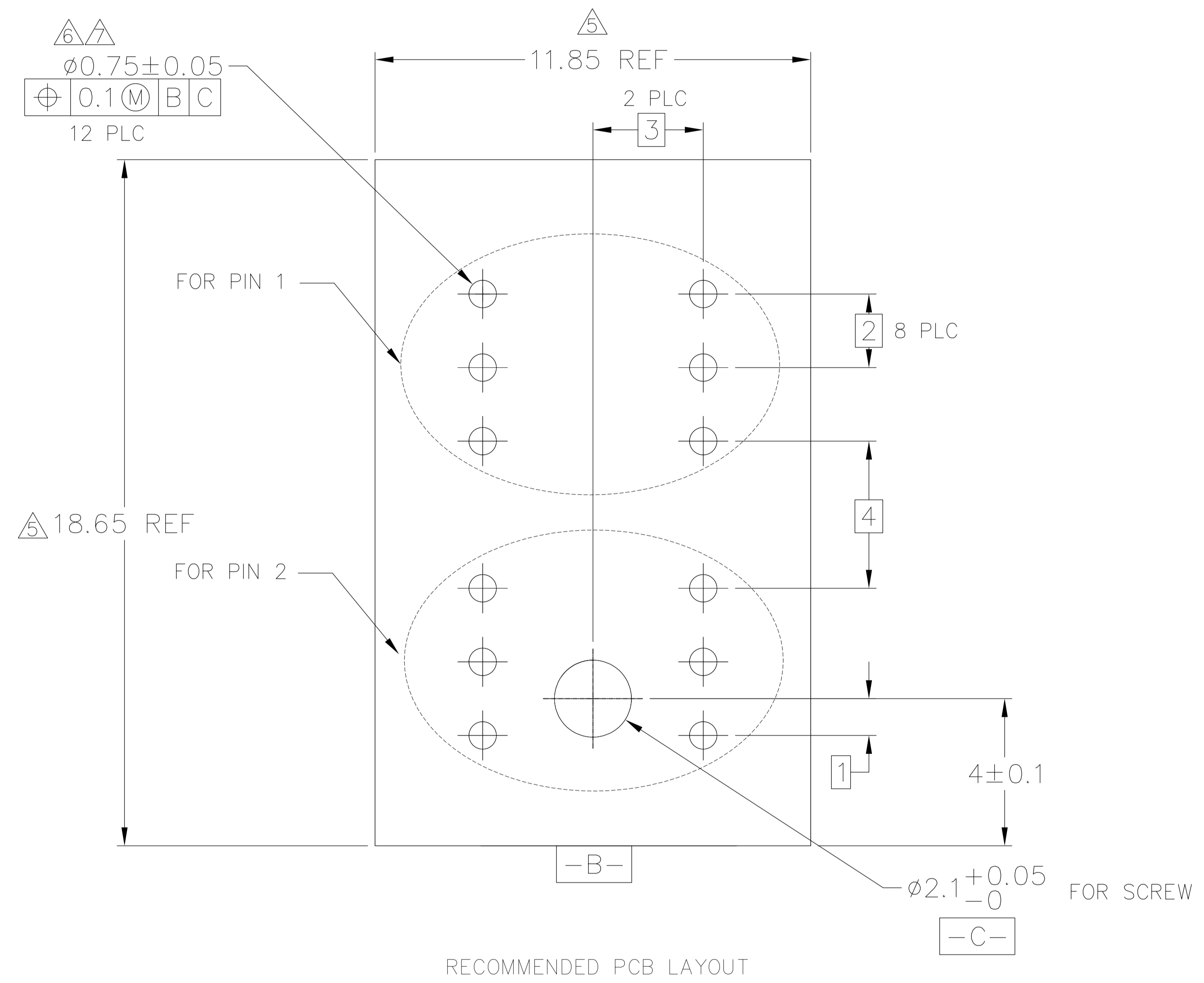
| MBXLE Conn | Press-fit Conn | WIRE COLOR | WIRE SIZE |
|------------|----------------|------------|-----------|
| P1 | PIN 2 | BLACK | 8AWG |
| P2 | PIN 1 | RED | 8AWG |

| QTY | PC | DESCRIPTION | ITEM NO |
|-----|----|---|---------|
| 1 | 1 | PC LABEL ON THE AUTO-STATIC ZIPLOCK BAG. | 11 |
| 1 | 1 | PC CLEAR AUTO-STATIC ZIPLOCK BAG. | 10 |
| 1 | 1 | PC LABEL ON WIRE. | 9 |
| - | 1 | PC M1.6 SCREW FOR PRESS-FIT HOUSING. | 8 |
| AR | AR | MM HEAT SHRINK TUBE. | 7 |
| 1 | 1 | PC PRESS FIT HOUSING. | 6 |
| 2 | 2 | PC PRESS FIT CONTACT. | 5 |
| 2 | 2 | PC MBXLE PLUG POWER CONTACT | 4 |
| 1 | 1 | PC MBXLE PLUG ASSY: TOP+BOTTOM+HEADER+SCREW | 3 |
| AR | AR | M WIRE, 8AWG,HIGH STRAND/HIGH FLEX,RED. VENDOR:Hwatek.Alternative:New England. | 2 |
| AR | AR | M WIRE, 8AWG,HIGH STRAND/HIGH FLEX, BLACK. VENDOR:Hwatek.Alternative:New England. | 1 |

| | |
|-------------------|-----------|
| TE P/N W/O SCREW | 2159562-2 |
| TE P/N WITH SCREW | 2159562-1 |

THIS DRAWING IS A CONTROLLED DOCUMENT.

| | | |
|-------------------|-------------------|----------------------------------|
| DWN: Grace Li | 16DEC2013 | TE Connectivity |
| CHK: Glen Gutgold | 16DEC2013 | |
| APPD: David Zhang | 16DEC2013 | NAME: CABLE ASSY,PRESS FIT POWER |
| PRODUCT SPEC | 108-128013/2157-1 | RESTRICTED TO |
| APPLICATION SPEC | 114-32129/1316 | SCALE: N.T.S. |
| WEIGHT: 63 Grams | A1 00779 | DRAWING NO: 2159562 |
| CUSTOMER DRAWING | SCALE: N.T.S. | SHEET 1 OF 2 |



RECOMMENDED RETENTION SCREW
SCREW LENGTH 6.5 IS DESIGNED
FOR 2.16mm THICKNESS BOARD

NOTES:

- 5 MECHANICAL CONNECTOR KEEP OUT ZONE.
- 6 PCB- ALL HOLE DIAMETERS ARE FINISHED HOLE SIZES.
- 7 PCB- 0.85+0.01/-0.04 DRILLED HOLES PLATED WITH 0.0009 MIN TIN OVER 0.025 MIN Cu PLATING TO ACHIEVE A 0.75±0.05 HOLE.
- 8 INDIVIDUALLY PACK EACH CABLE ASSEMBLY WITH A CLEAR ANTI-STATIC ZIPLOCK BAG.
- 9 APPLY LABEL ONTO CLEAR ANTI-STATIC ZIPLOCK BAG, THE MARKING TEXT AS FOLLOWS:

| | |
|-----------------|---------------------|
| TE P/N REV.* | TE PN &REV. |
| DATE CODE: YYWW | YY: Year; WW: week. |
| MADE IN **** | Country of Origin |

| | | | | | |
|--|--|---------------------|-----------|------------------------------------|--|
| THIS DRAWING IS A CONTROLLED DOCUMENT. | | DWN Grace, Li | 16DEC2013 | TE Connectivity | |
| DIMENSIONS: mm | | CHK Glen Gutgold | 16DEC2013 | | |
| TOLERANCES UNLESS OTHERWISE SPECIFIED: | | APVD Wesley Wang | 16DEC2013 | NAME CABLE ASSY,PRESS FIT POWER | |
| 0 PLC ± - | | PRODUCT SPEC | | SEE SHEET 1 | |
| 1 PLC ± - | | APPLICATION SPEC | | SEE SHEET 1 | |
| 2 PLC ± - | | SIZE | | CAGE CODE DRAWING NO | |
| 3 PLC ± - | | WEIGHT | | A1 00779 C=2159562 | |
| 4 PLC ± - | | CUSTOMER DRAWING | | SCALE N.T.S. SHEET 2 OF 2 REV C1 | |
| ANGLES ± - | | | | | |
| FINISH | | | | | |