

4

3

2

1

THIS DRAWING IS UNPUBLISHED.

RELEASED FOR PUBLICATION

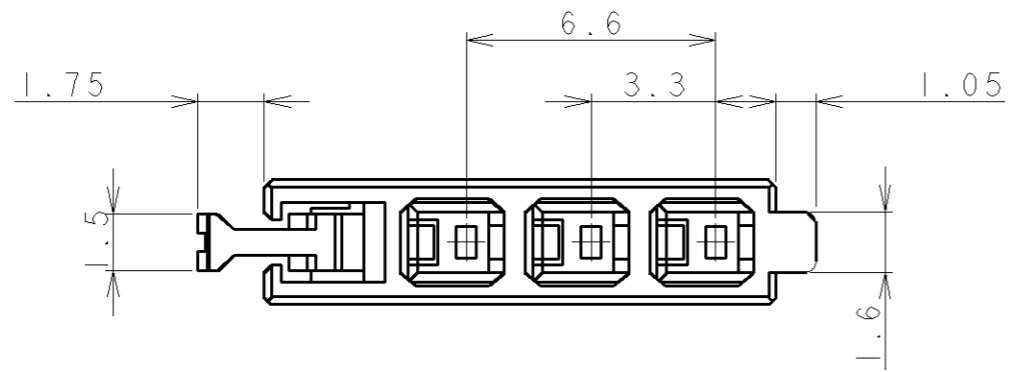
2005

© COPYRIGHT 2005

BY TYCO ELECTRONICS CORPORATION. ALL INTERNATIONAL RIGHTS RESERVED.

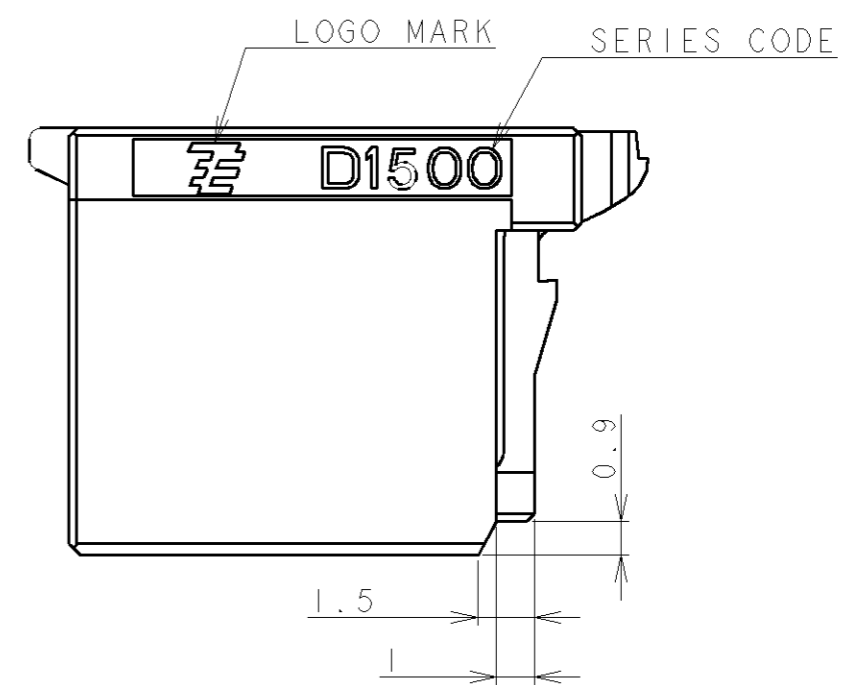
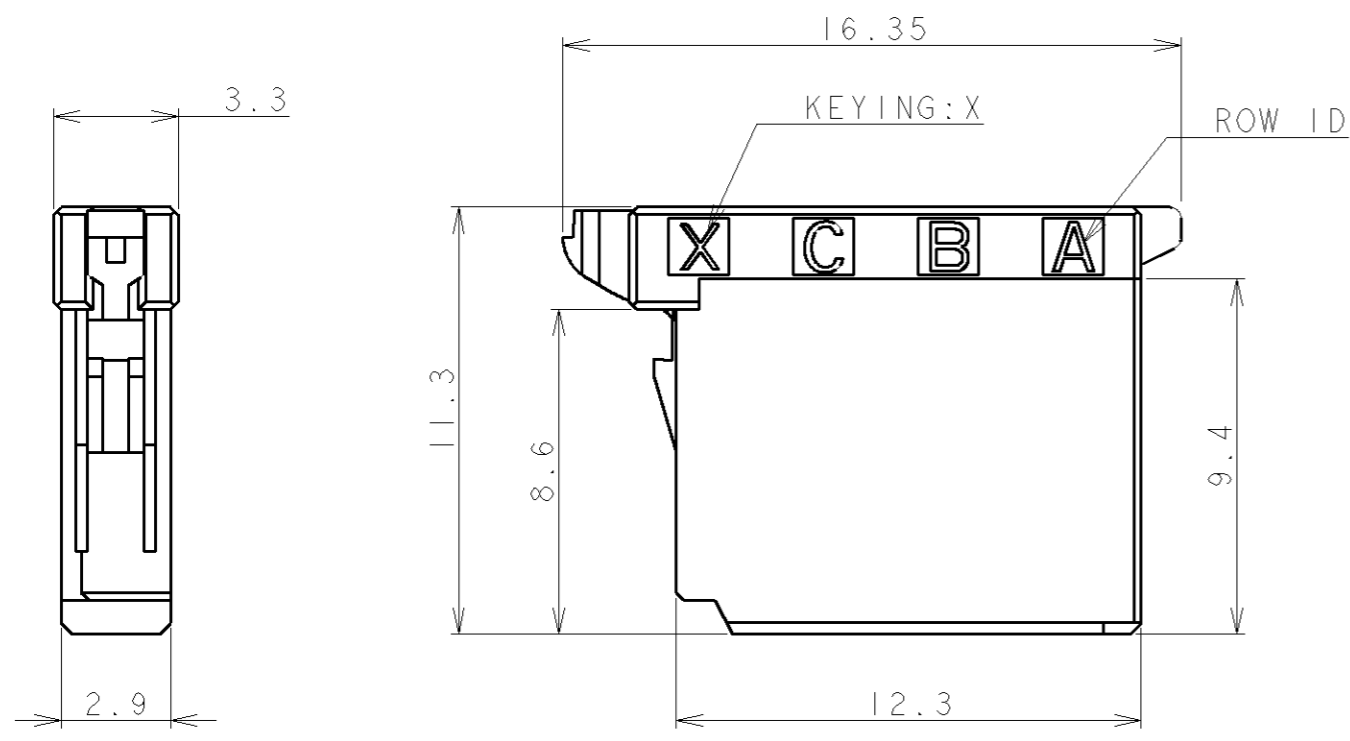
LOC	DIST
J	

REVISIONS				
P	LTR	DESCRIPTION	DATE	APVD
	C	REVISED PER ECR-10-007167	05MAY10	HMR T.M

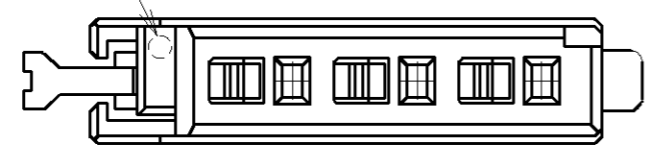


1. MATERIAL: GLASS FILLED THERMO PLASTIC POLYESTER (94V-0), COLOR: BLACK
 2. THE SHAPE, SIZE AND POSITION OF THE CHARACTER SHOW THE OUTLINE. THEY DON'T SHOW DETAILS.

1. 材料: ガラス入り熱可塑性ポリエステル樹脂 (94V-0)、色: 黒
 2. 文字の形状、大きさ、および位置については、大略を示すものであり、詳細を示すものではありません。



CAVITY MARK (ALPHABET: CAPITAL LETTER)



AS SHOWN : 1-1827579-1

THIS DRAWING IS A CONTROLLED DOCUMENT FOR TYCO ELECTRONICS CORPORATION. IT IS SUBJECT TO CHANGE AND THE CONTROLLING ENGINEERING ORGANIZATION SHOULD BE CONTACTED FOR THE LATEST REVISION.		DWN T. KUDO 11JAN2005	Tyco Electronics Corporation Kawasaki, Japan	
DIMENSIONS: 単位: 概 mm		CHK D. MITSUGI 24AUG2005	NAME 名称 DYNAMIC D1500T REC HSG 3 POS	
TOLERANCES UNLESS OTHERWISE SPECIFIED: 一般公差 ±0.3, ±3° 0-PLC ± 1-PLC ± 2-PLC ± 3-PLC ± 4-PLC ± ANGLES ±		APVD D. MITSUGI 24AUG2005	DRAWING NO 番号 C=1827579	
MATERIAL 材料		PRODUCT SPEC 製品規格 108-78268	SIZE A300779	RESTRICTED TO
FINISH 仕上		APPLICATION SPEC 取付適用規格 114-5377	CAGE CODE	REV C
CUSTOMER DRAWING		WEIGHT	SCALE 尺度 5:1	SHEET 1 OF 1