

THIS DRAWING IS UNPUBLISHED.

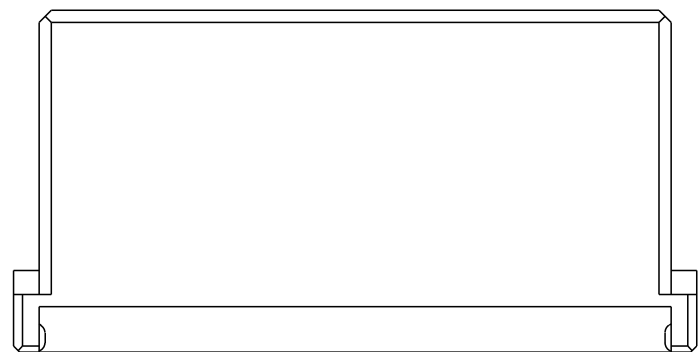
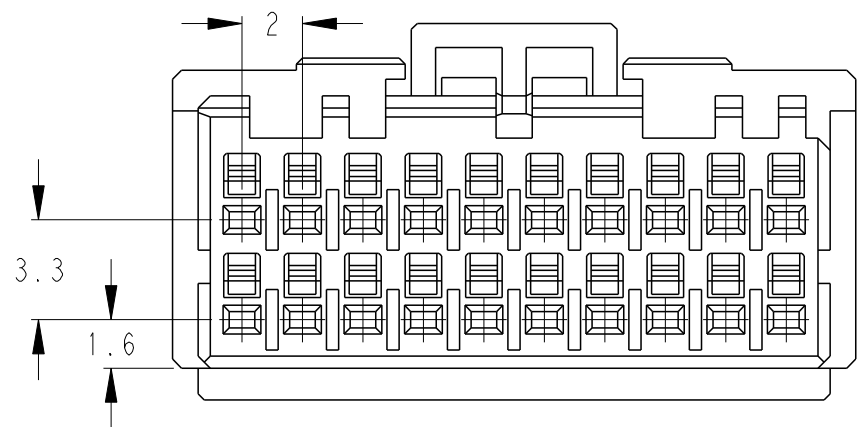
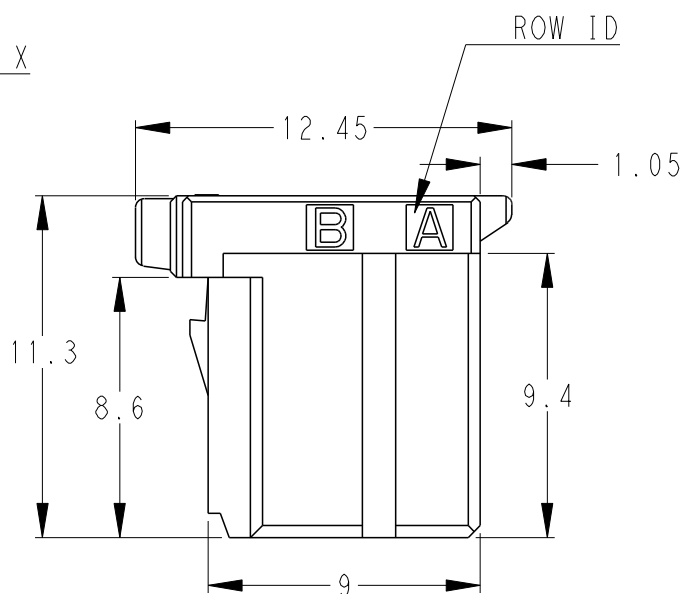
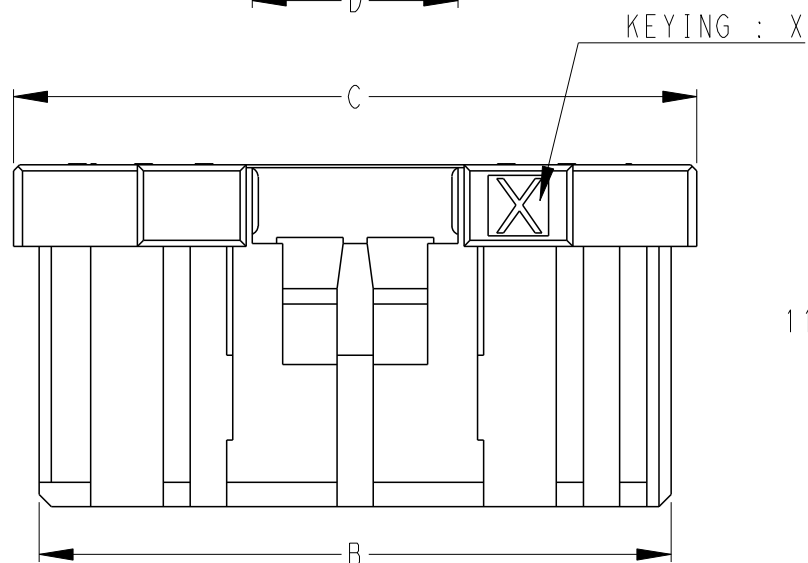
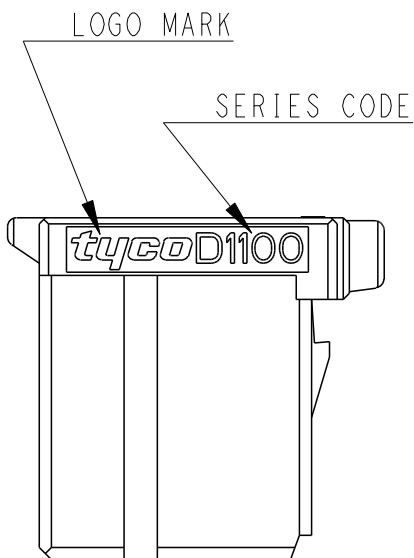
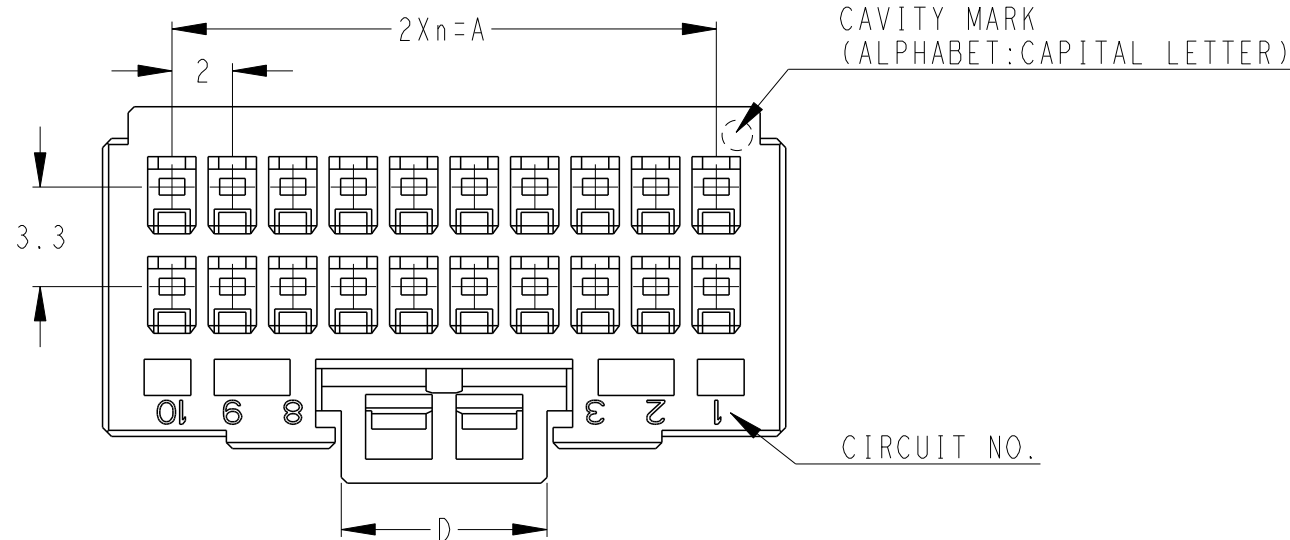
RELEASED FOR PUBLICATION

2005

© COPYRIGHT 2005

ALL RIGHTS RESERVED.

LOC	DIST	REVISIONS					
		P	LTR	DESCRIPTION	DATE	DWN	APVD
J			F	REVISED PER ECR-11-010725	24MAY2011	TT	TM
			F1	REVISED	28JUL2011	H.U	N.Y
			F2	REVISED	18OCT2012	H.U	N.Y



AS SHOWN
20POS(X-KEY) : 1-1827862-0

- ① 材料: ガラス入り熱可塑性ポリエステル樹脂(94V-0)、色: 黒
- ② 文字の形状、大きさ、および位置については、大略を示すものであり、詳細を示すものではありません。
- ③ ROCK PROTECTORの高さ違いです。
ロックレバー操作の際には、指先を立て押してください。

- ① MATERIAL: GLASS FILED THERMO PLASTIC POLYESTER(94V-0), COLOR: BLACK
- ② THE SHAPE, SIZE AND POSITION OF THE CHARACTER SHOW THE OUTLINE. THEY DON'T SHOW DETAILS.

- ③ DIFFERENT HEIGHT OF ROCK PROTECTOR. A FINGERTIP IS STOOD AND PUSHED WHEN OPERATING A LOCK LEVER.

20	X	9	18.0	20.9	22.6	6.8	1-1827862-0
18	X	8	16.0	18.9	20.6	8.1	1-1827862-9
10	X	4	8.0	10.9	12.6	3.6	1-1827862-5
10	X	4	8.0	10.9	12.6	3.6	③ 9-1827862-5
POS	KEY	n	A	B	C	D	PART NO

THIS DRAWING IS A CONTROLLED DOCUMENT.

DIMENSIONS: mm	TOLERANCES UNLESS OTHERWISE SPECIFIED: ±0.3, ±3°	DWN M. MAEBASHI 25MAY2005	TE Connectivity
	0-PLC ± 1-PLC ± 2-PLC ± 3-PLC ± 4-PLC ± ANGLES ±-	CHK T. KUDO 25MAY2005	
MATERIAL ①	FINISH -	APVD D. MITSUGI 31AUG2005	NAME DYNAMIC D1100D 2.0mm PITCH REC HSG 10-20 POS
		PRODUCT SPEC 108-78268, 78298	SIZE A3
		APPLICATION SPEC 114-5377	CAGE CODE 00779
		WEIGHT	DRAWING NO C=1827862
		CUSTOMER DRAWING	RESTRICTED TO -
			SCALE 4:1
			SHEET 1 OF 3
			REV F2

THIS DRAWING IS UNPUBLISHED.

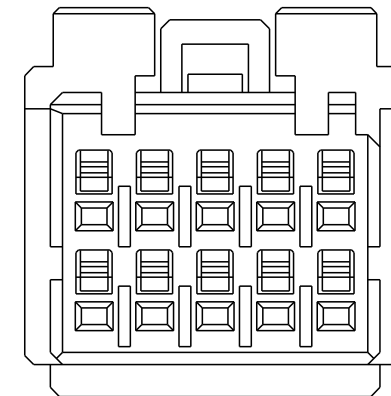
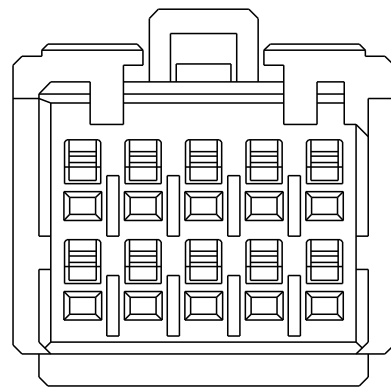
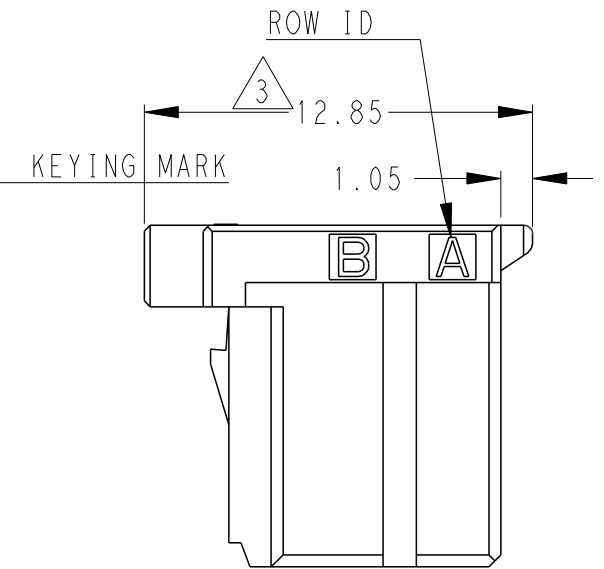
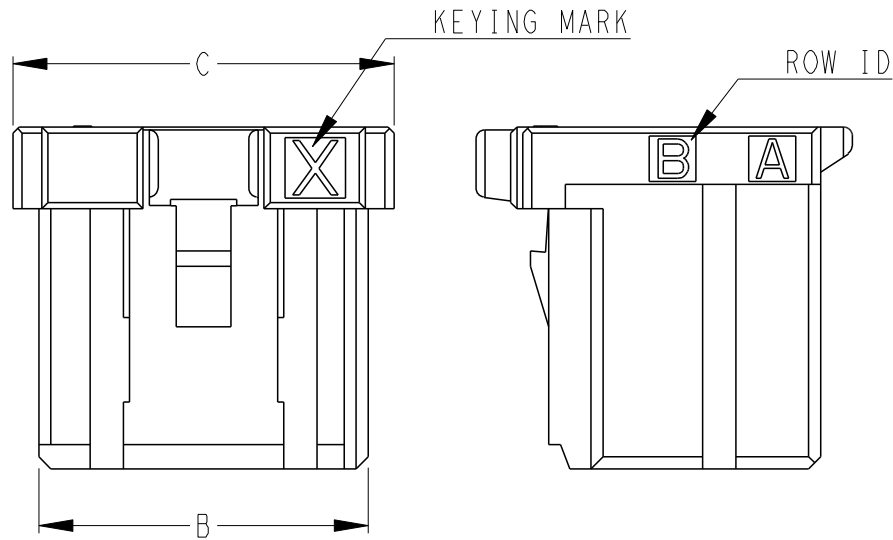
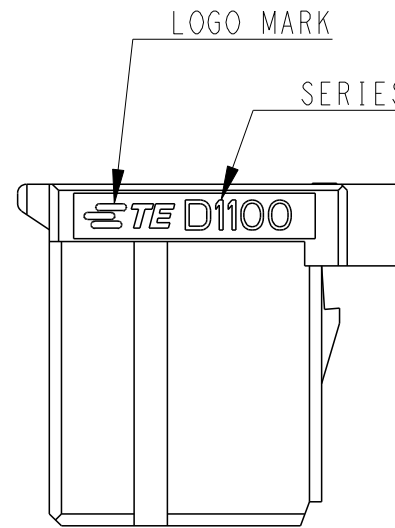
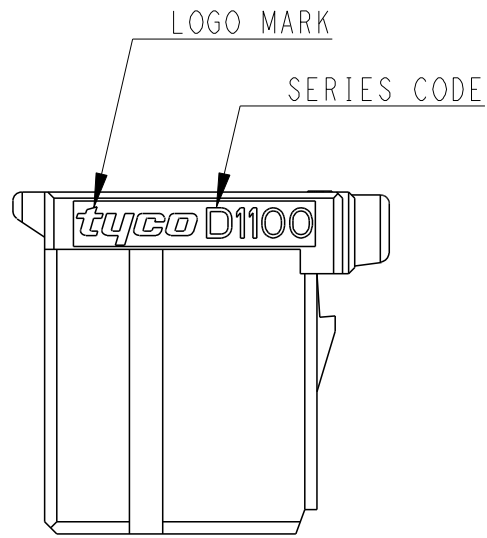
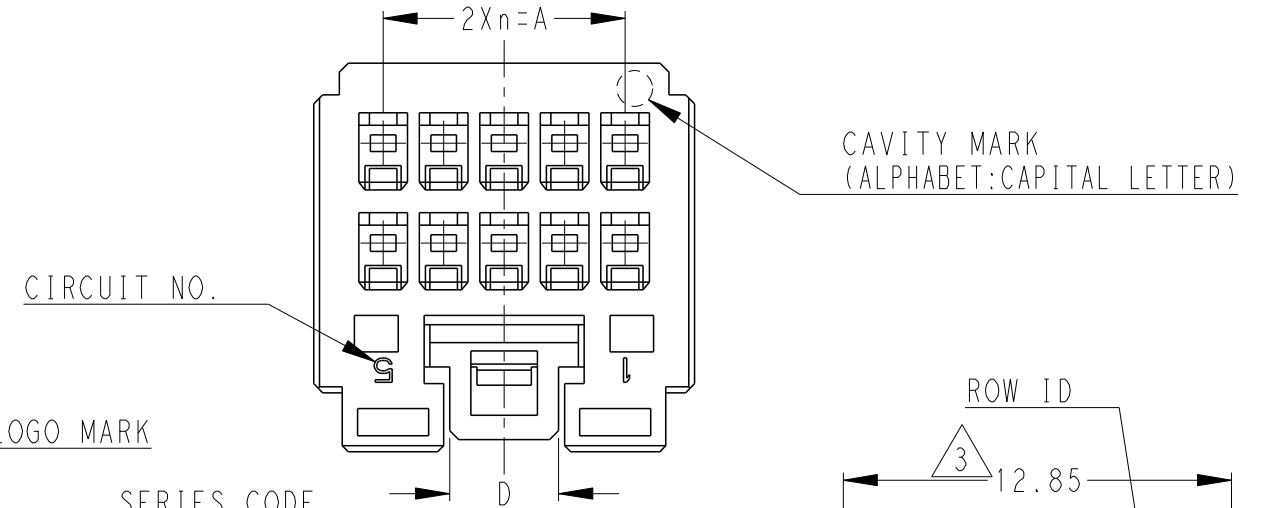
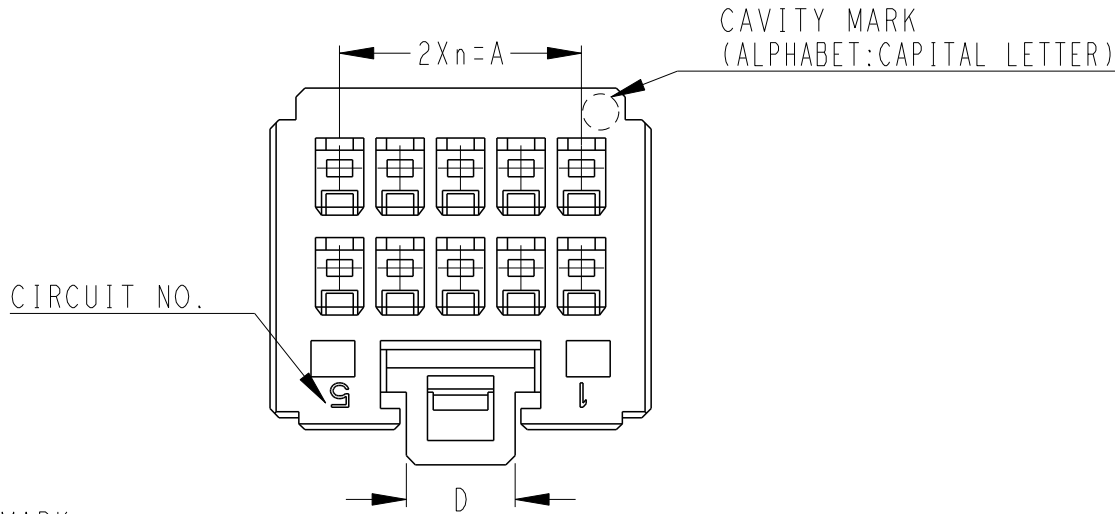
RELEASED FOR PUBLICATION

2005

© COPYRIGHT 2005

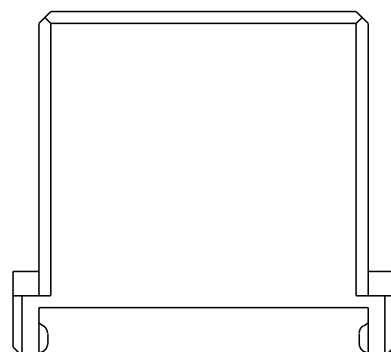
ALL RIGHTS RESERVED.

LOC	DIST	REVISIONS					
		P	LTR	DESCRIPTION	DATE	DWN	APVD
J		-		SEE SHEET 1	-	-	-



10POS(X-KEY)
1-1827862-5

10POS(X-KEY)
3-9-1827862-5



THIS DRAWING IS A CONTROLLED DOCUMENT.		DWN	-		
		CHK	-		
		APVD	-		
		PRODUCT SPEC	-		
		APPLICATION SPEC	-		
		WEIGHT	-		
		CUSTOMER DRAWING	-		
DIMENSIONS: mm		TOLERANCES UNLESS OTHERWISE SPECIFIED:		NAME	
		0 PLC	±-	STE TE Connectivity DYNAMIC D1100D 2.0mm PITCH REC HSG 10-20 POS	
		1 PLC	±-		
		2 PLC	±-		
		3 PLC	±-		
		4 PLC	±-		
MATERIAL		FINISH	±-	SIZE	CAGE CODE
				A3	00779
				DRAWING NO	RESTRICTED TO
				C-1827862	-
				SCALE	SHEET
				4:1	2 OF 3
				REV	F2

THIS DRAWING IS UNPUBLISHED.

RELEASED FOR PUBLICATION

2005

© COPYRIGHT 2005

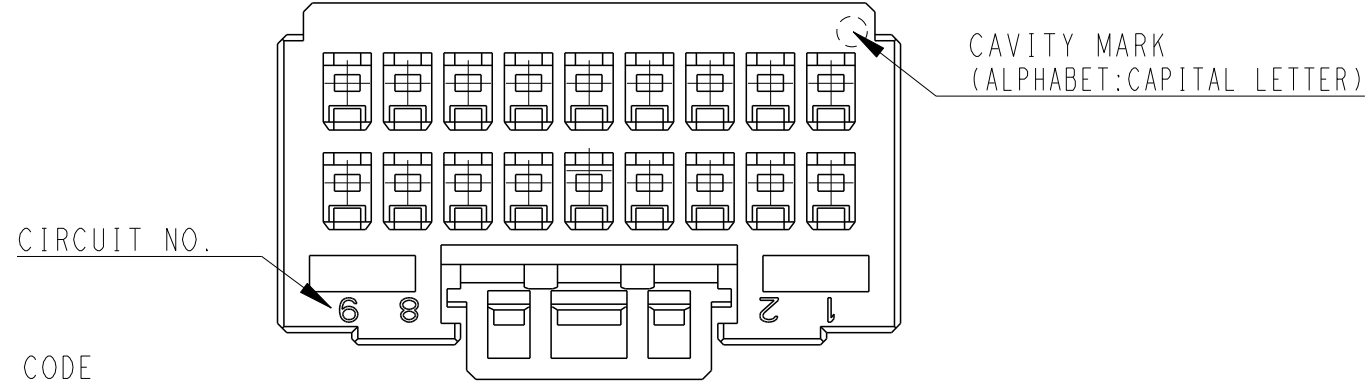
ALL RIGHTS RESERVED.

LOC

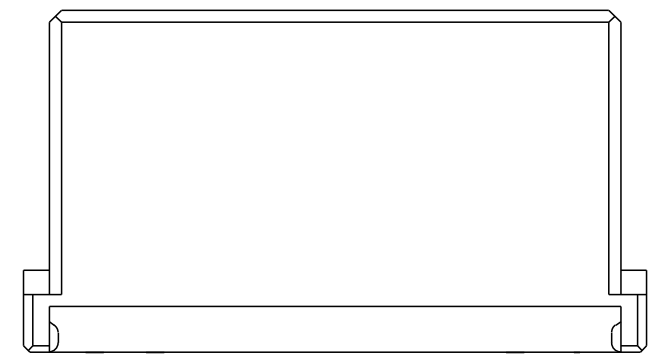
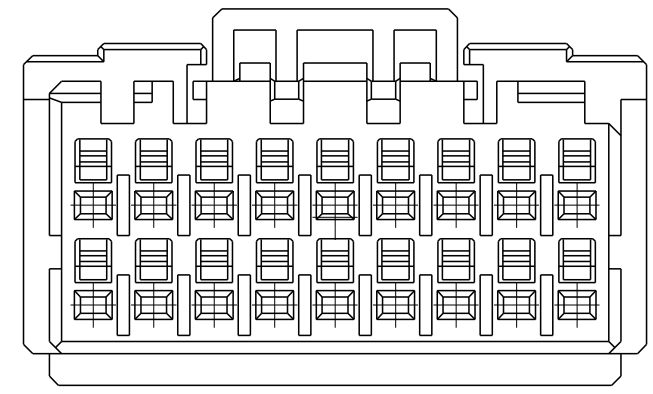
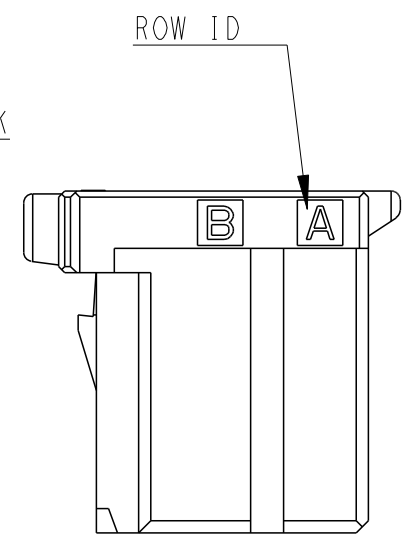
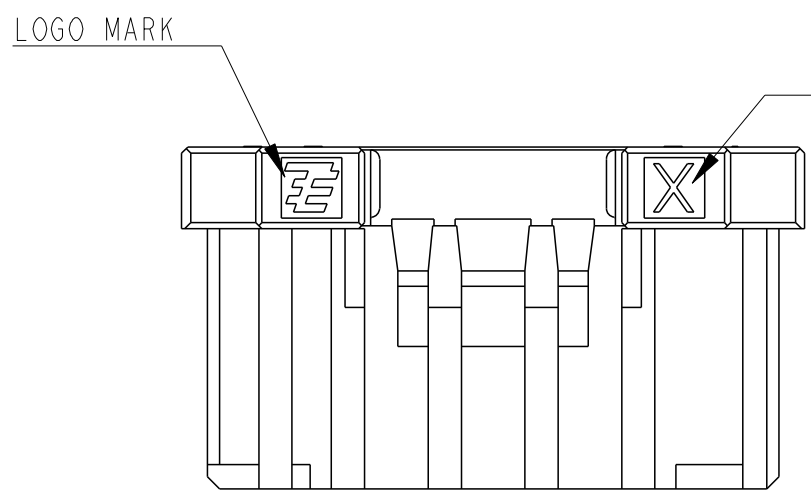
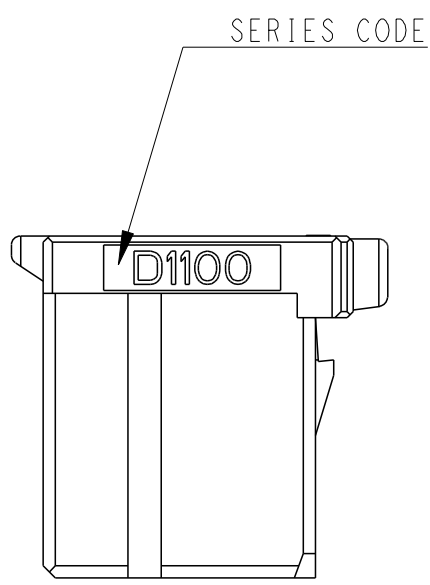
DIST

REVISIONS

P	LTR	DESCRIPTION	DATE	DWN	APVD
-	-	SEE SHEET 1	-	-	-



AS SHOWN
18POS(X-KEY) : 1-1827862-9



THIS DRAWING IS A CONTROLLED DOCUMENT.

DIMENSIONS: mm 	TOLERANCES UNLESS OTHERWISE SPECIFIED: 0 PLC ±- 1 PLC ±- 2 PLC ±- 3 PLC ±- 4 PLC ±- ANGLES ±- FINISH -	DWN	TE Connectivity		
		CHK			
MATERIAL	FINISH	APVD	NAME		
		PRODUCT SPEC	DYNAMIC D1100D 2.0mm PITCH		
		APPLICATION SPEC	REC HSG		
		WEIGHT	SIZE	CAGE CODE	DRAWING NO
			A3	00779	©-1827862
CUSTOMER DRAWING			RESTRICTED TO	SCALE	SHEET
			-	4:1	3 OF 3
					REV F2