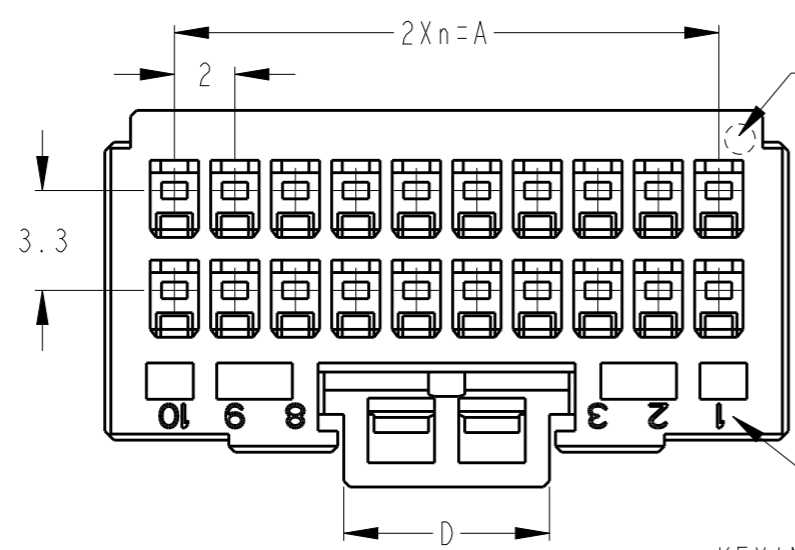


THIS DRAWING IS UNPUBLISHED. RELEASED FOR PUBLICATION 2005
 © COPYRIGHT 2005 ALL RIGHTS RESERVED.

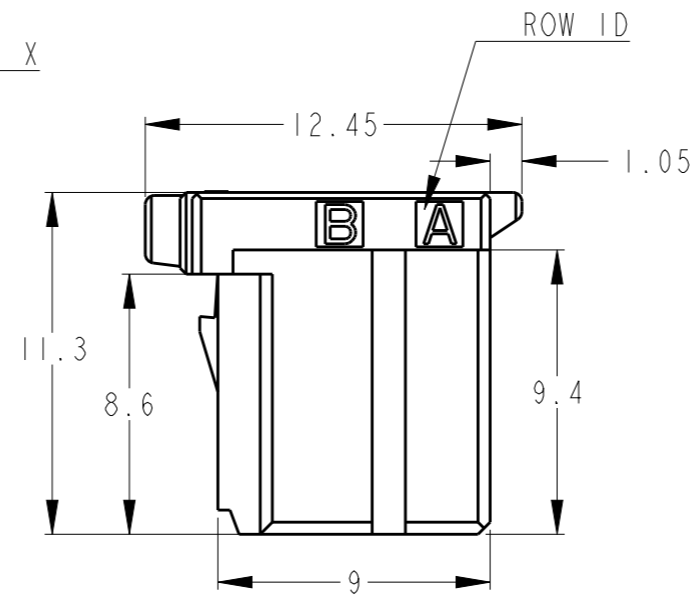
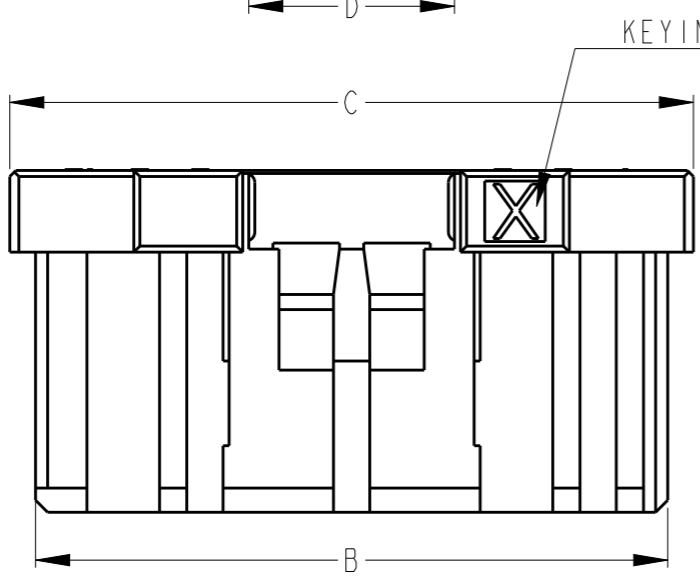
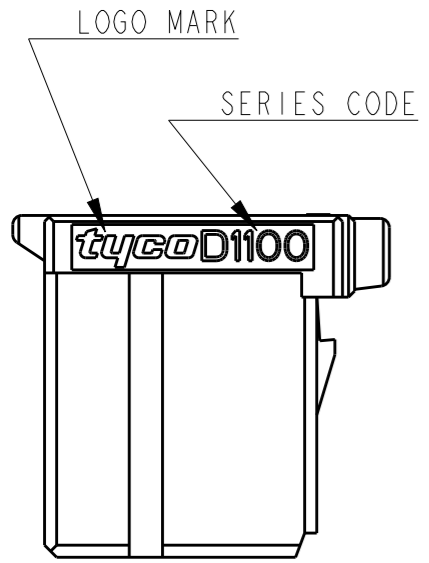
LOC	DIST	REVISIONS			
P	LTR	DESCRIPTION	DATE	DWN	APVD
J		F	REVISED PER ECR-11-010725	24MAY2011	TT TM
		G	REVISED	19JUN2014	T.S N.Y



CAVITY MARK
(ALPHABET: CAPITAL LETTER)

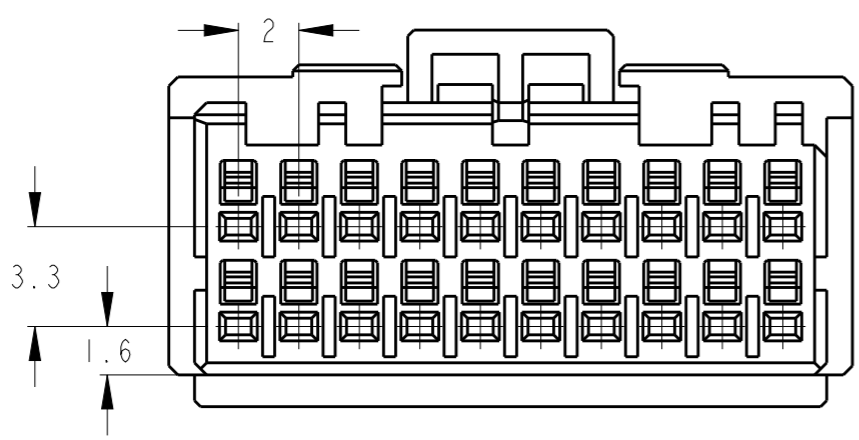
CIRCUIT NO.

AS SHOWN
20POS(X-KEY) : 1-1827862-0



- ① 材料: ガラス入り熱可塑性ポリエステル樹脂(94V-0)、色: 黒
- ② 文字の形状、大きさ、および位置については、大略を示すものであり、詳細を示すものではありません。
- ③ LOCK PROTECTORの高さ違いです。
ロックレバー操作の際には、指先を立て押ししてください。

- ① MATERIAL: GLASS FILED THERMO PLASTIC POLYESTER(94V-0), COLOR: BLACK
- ② THE SHAPE, SIZE AND POSITION OF THE CHARACTER SHOW THE OUTLINE. THEY DON'T SHOW DETAILS.
- ③ DIFFERENT HEIGHT OF LOCK PROTECTOR.
A FINGERTIP IS STOOD AND PUSHED WHEN OPERATING A LOCK LEVER



20	X	9	18.0	20.9	22.6	6.8	1-1827862-0
18	X	8	16.0	18.9	20.6	8.1	1-1827862-9
10	X	4	8.0	10.9	12.6	3.6	1-1827862-5
10	X	4	8.0	10.9	12.6	3.6	9-1827862-5 ③
POS	KEY	n	A	B	C	D	PART NO

THIS DRAWING IS A CONTROLLED DOCUMENT.

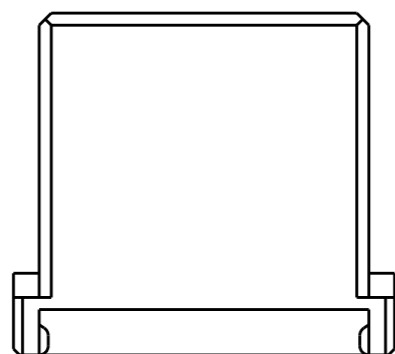
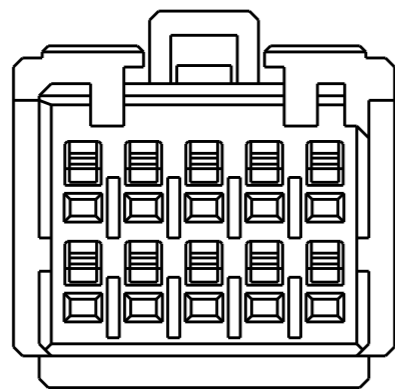
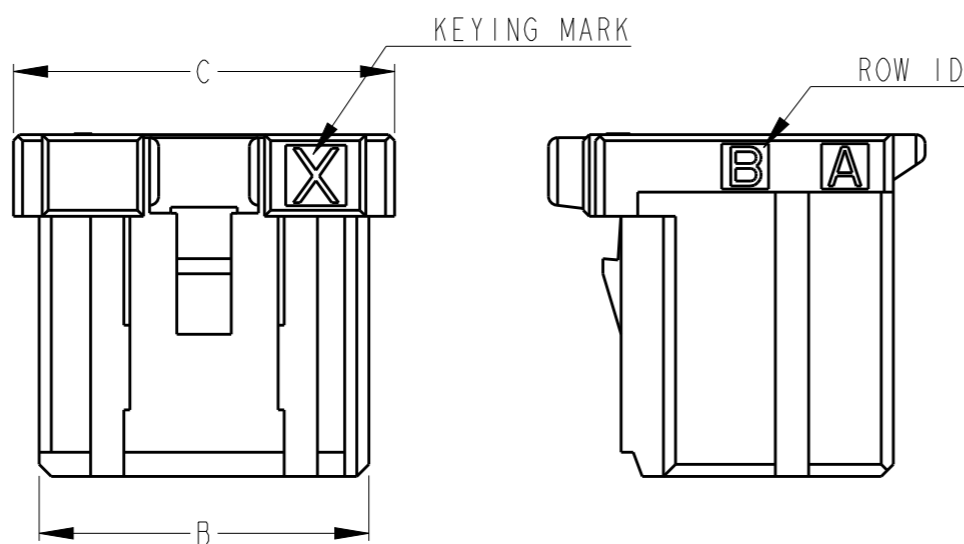
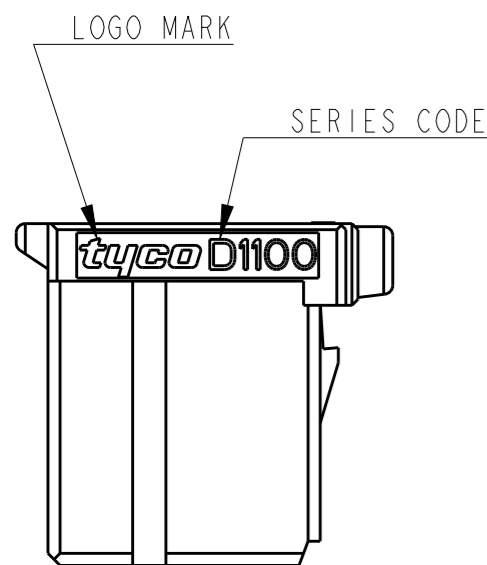
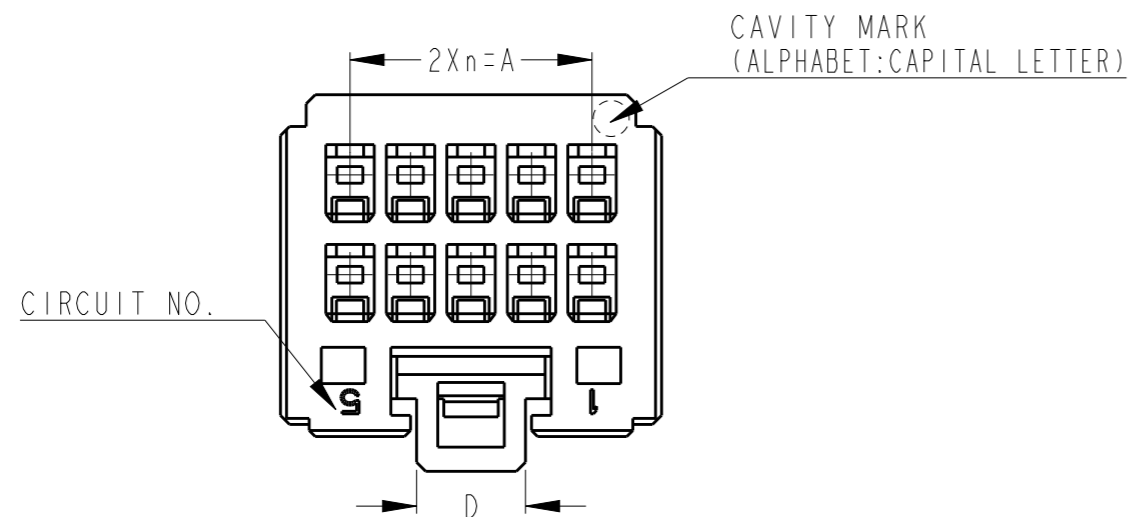
DIMENSIONS: mm	TOLERANCES UNLESS OTHERWISE SPECIFIED: ±0.3, ±3°	DWN M. MAEBASHI 25MAY2005	TE Connectivity
		CHK T. KUDO 25MAY2005	
		APVD D. MITSUGI 31AUG2005	
		PRODUCT SPEC 108-78268, 78298	
		APPLICATION SPEC 114-5377	NAME DYNAMIC D1100D 2.0mm PITCH REC HSG 10-20 POS
MATERIAL	FINISH	WEIGHT	SIZE A3
			CAGE CODE 00779
			DRAWING NO C=1827862
			RESTRICTED TO
		Customer Drawing	SCALE 4:1
			SHEET 1 OF 3
			REV G

LOC
J

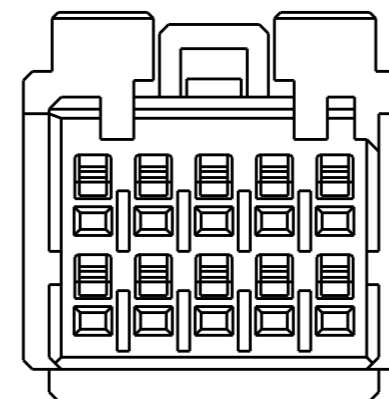
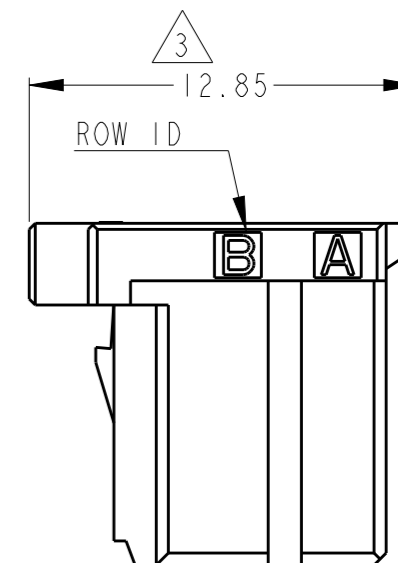
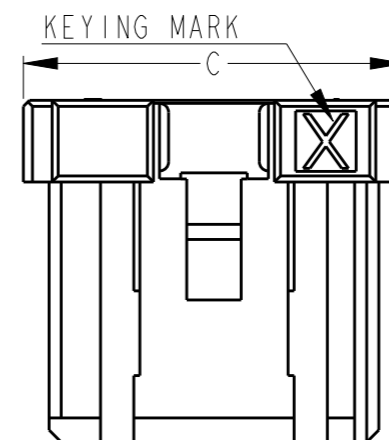
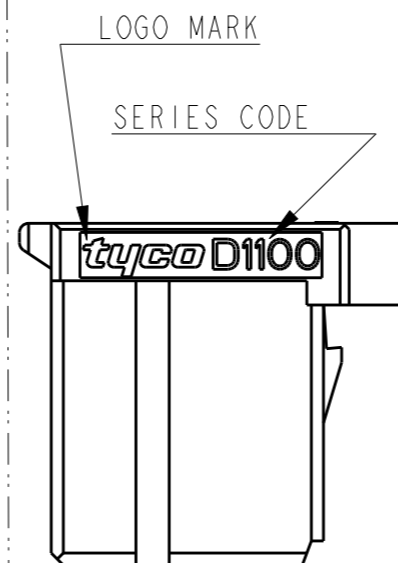
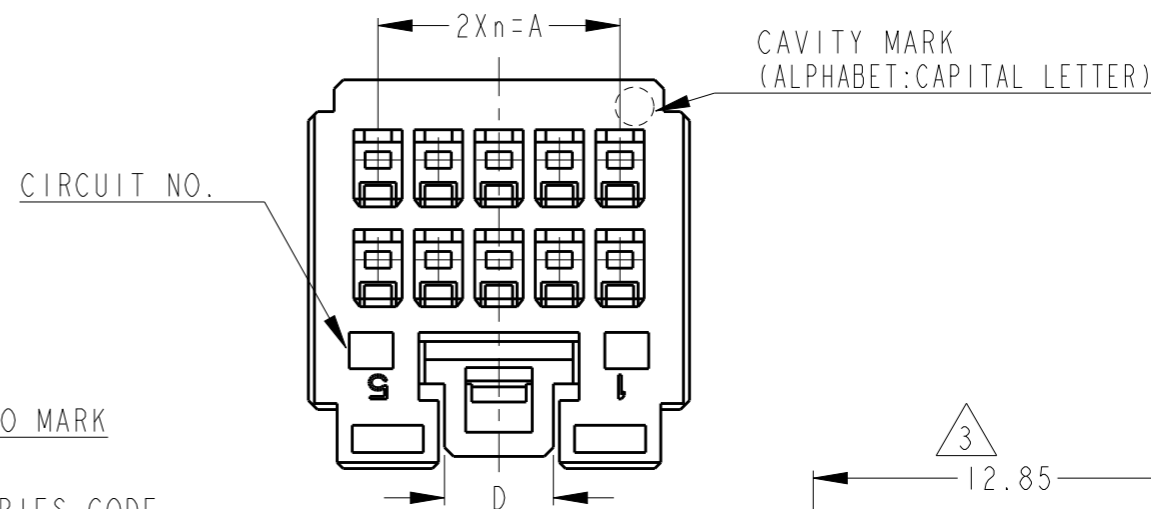
DIST

REVISIONS

P	LTR	DESCRIPTION	DATE	DWN	APVD
-	-	SEE SHEET 1	-	-	-



10POS (X-KEY)
1-1827862-5



10POS (X-KEY)
9-1827862-5

THIS DRAWING IS A CONTROLLED DOCUMENT.

DIMENSIONS: mm	TOLERANCES UNLESS OTHERWISE SPECIFIED:
	0 PLC ±.1
	1 PLC ±.1
	2 PLC ±.1
	3 PLC ±.1
	4 PLC ±.1
	ANGLES ±.1
MATERIAL	FINISH

DWN	-
CHK	-
APVD	-
PRODUCT SPEC	-
APPLICATION SPEC	-
WEIGHT	-
Customer Drawing	

STE TE Connectivity

NAME DYNAMIC D1100D 2.0mm PITCH REC HSG 10-20 POS				RESTRICTED TO
SIZE A3	CAGE CODE 00779	DRAWING NO C-1827862		
SCALE 4:1	SHEET 2	OF 3	REV G	

THIS DRAWING IS UNPUBLISHED.

RELEASED FOR PUBLICATION

2005

© COPYRIGHT 2005

ALL RIGHTS RESERVED.

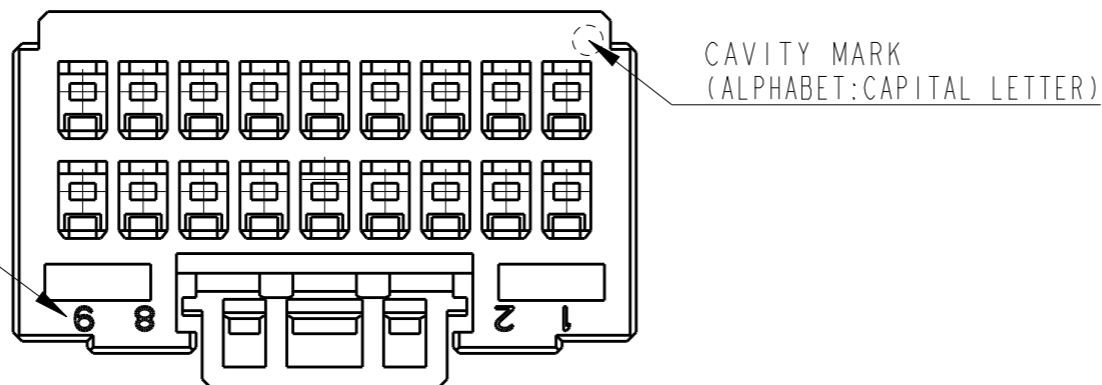
LOC
J

DIST
-

REVISIONS

P	LTR	DESCRIPTION	DATE	DWN	APVD
-	-	SEE SHEET 1	-	-	-

AS SHOWN
18POS(X-KEY) : 1-1827862-9



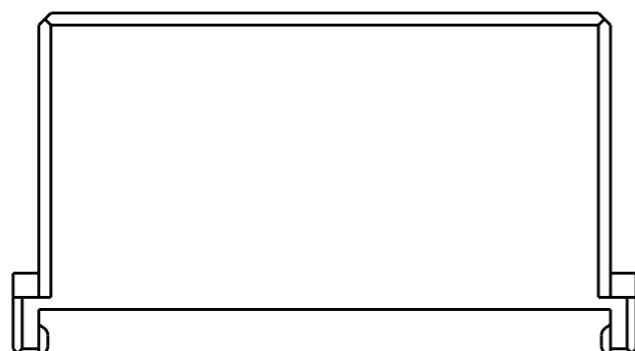
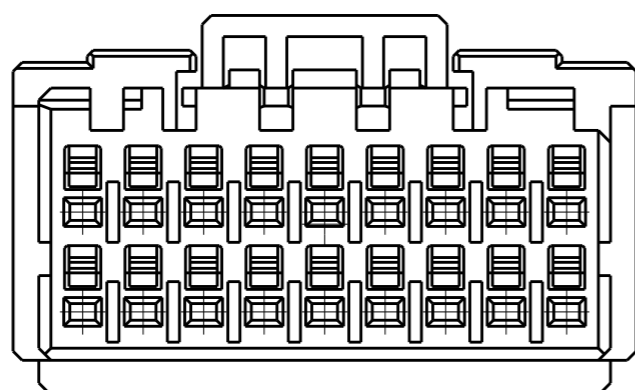
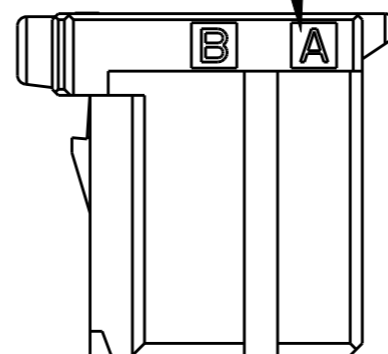
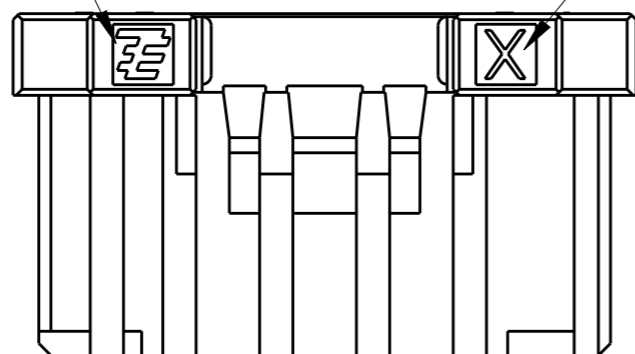
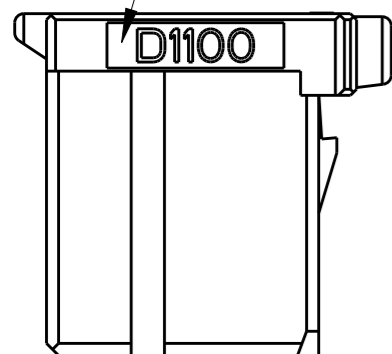
CIRCUIT NO.

SERIES CODE

LOGO MARK

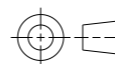
KEYING MARK

ROW ID



THIS DRAWING IS A CONTROLLED DOCUMENT.

DIMENSIONS:
mm



TOLERANCES UNLESS OTHERWISE SPECIFIED:

- 0 PLC ±.
- 1 PLC ±.
- 2 PLC ±.
- 3 PLC ±.
- 4 PLC ±.
- ANGLES ±.

MATERIAL

FINISH

DWN	-
CHK	-
APVD	-
PRODUCT SPEC	-
APPLICATION SPEC	-
WEIGHT	-



NAME
DYNAMIC D1100D 2.0mm PITCH
REC HSG
10-20 POS

SIZE	CAGE CODE	DRAWING NO	RESTRICTED TO
A3	00779	C-1827862	-

Customer Drawing SCALE 4:1 SHEET 3 OF 3 REV G