

THIS DRAWING IS UNPUBLISHED.

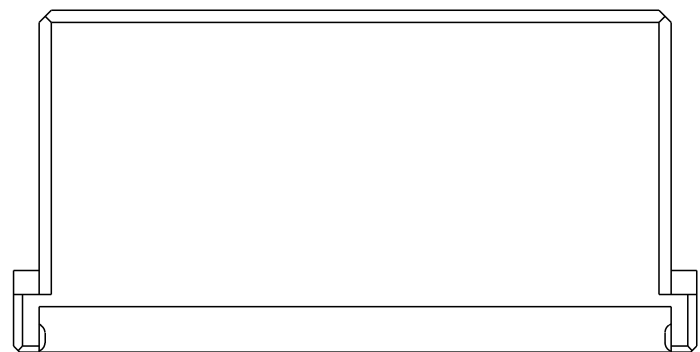
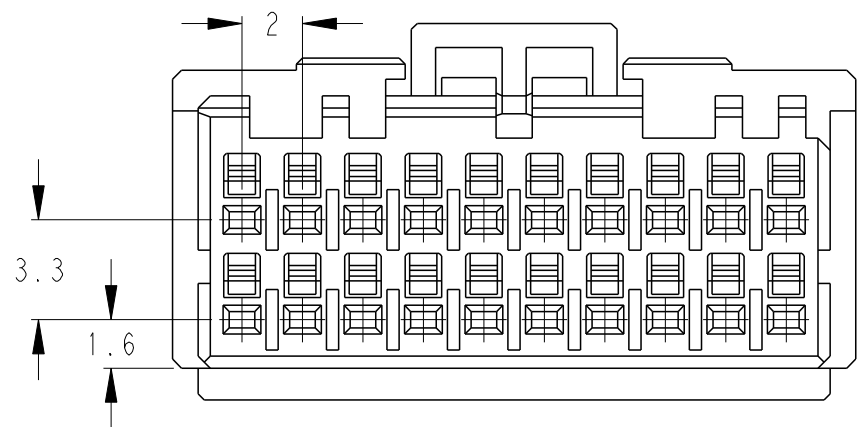
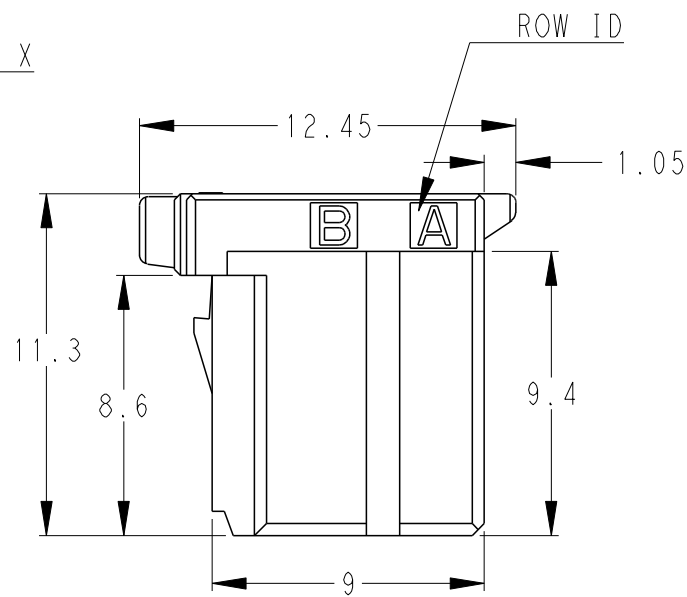
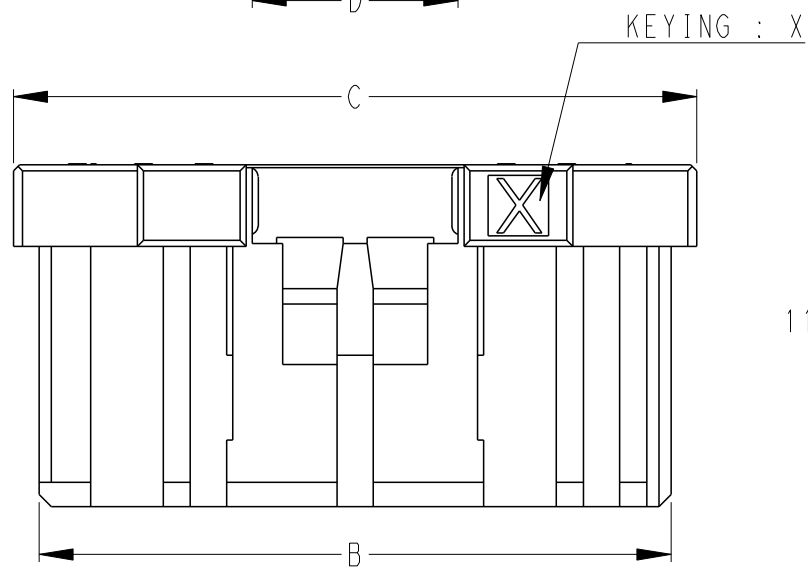
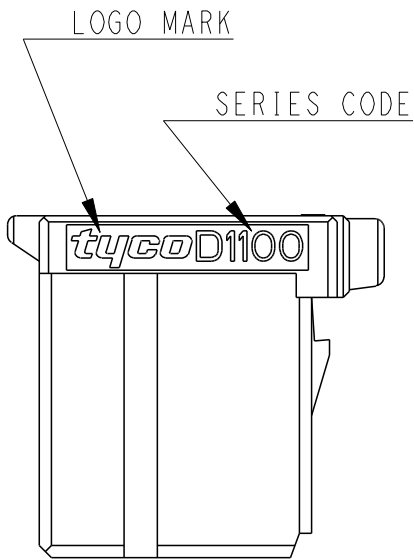
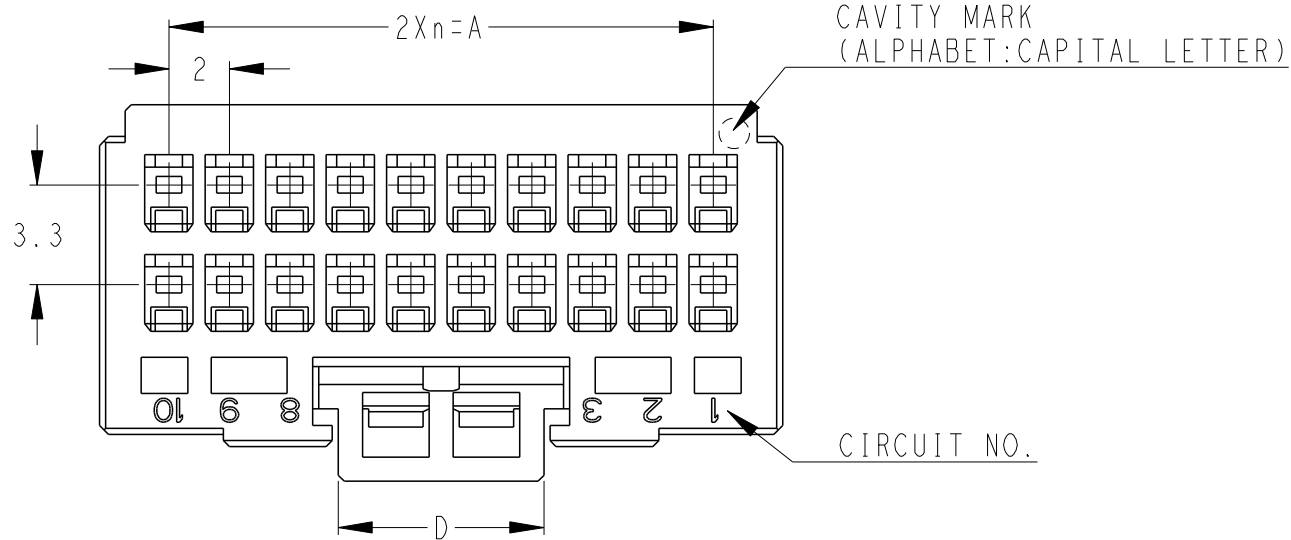
RELEASED FOR PUBLICATION

2005

© COPYRIGHT 2005

ALL RIGHTS RESERVED.

LOC	DIST	REVISIONS					
		P	LTR	DESCRIPTION	DATE	DWN	APVD
J			F	REVISED PER ECR-11-010725	24MAY2011	TT	TM
			F1	REVISED	28JUL2011	H.U	N.Y
			F2	REVISED	18OCT2012	H.U	N.Y




AS SHOWN
20POS(X-KEY) : 1-1827862-0

- ① 材料: ガラス入り熱可塑性ポリエステル樹脂(94V-0)、色: 黒
- ② 文字の形状、大きさ、および位置については、大略を示すものであり、詳細を示すものではありません。
- ③ ROCK PROTECTORの高さ違いです。ロックレバー操作の際には、指先を立て押してください。

- ① MATERIAL: GLASS FILED THERMO PLASTIC POLYESTER(94V-0), COLOR: BLACK
- ② THE SHAPE, SIZE AND POSITION OF THE CHARACTER SHOW THE OUTLINE. THEY DON'T SHOW DETAILS.
- ③ DIFFERENT HEIGHT OF ROCK PROTECTOR. A FINGERTIP IS STOOD AND PUSHED WHEN OPERATING A LOCK LEVER.

20	X	9	18.0	20.9	22.6	6.8	1-1827862-0
18	X	8	16.0	18.9	20.6	8.1	1-1827862-9
10	X	4	8.0	10.9	12.6	3.6	1-1827862-5
10	X	4	8.0	10.9	12.6	3.6	③ 9-1827862-5
POS	KEY	n	A	B	C	D	PART NO

THIS DRAWING IS A CONTROLLED DOCUMENT.		DWN M. MAEBASHI 25MAY2005	 TE Connectivity		
DIMENSIONS: mm		CHK T. KUDO 25MAY2005			
TOLERANCES UNLESS OTHERWISE SPECIFIED: ±0.3, ±3°		APVD D. MITSUGI 31AUG2005	NAME DYNAMIC D1100D 2.0mm PITCH REC HSG 10-20 POS		
0-PLC ± 1-PLC ± 2-PLC ± 3-PLC ± 4-PLC ± ANGLES ± FINISH -		PRODUCT SPEC 108-78268, 78298	DRAWING NO C-1827862		
MATERIAL ①		APPLICATION SPEC 114-5377	SIZE A3	CAGE CODE 00779	RESTRICTED TO -
		WEIGHT	SCALE 4:1		
		CUSTOMER DRAWING	SHEET 1 OF 3		
			REV F2		

THIS DRAWING IS UNPUBLISHED.

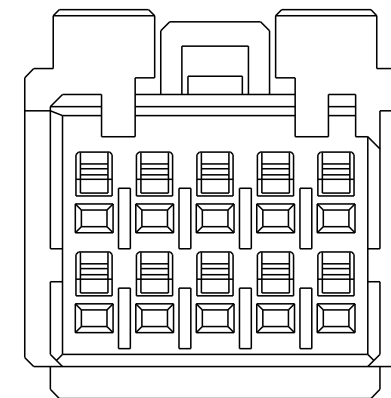
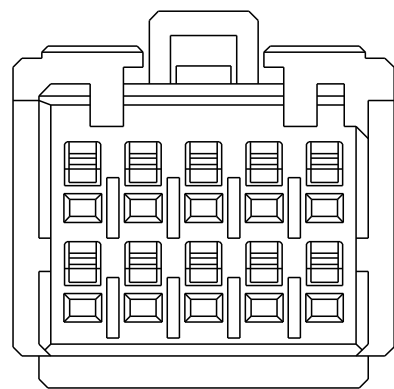
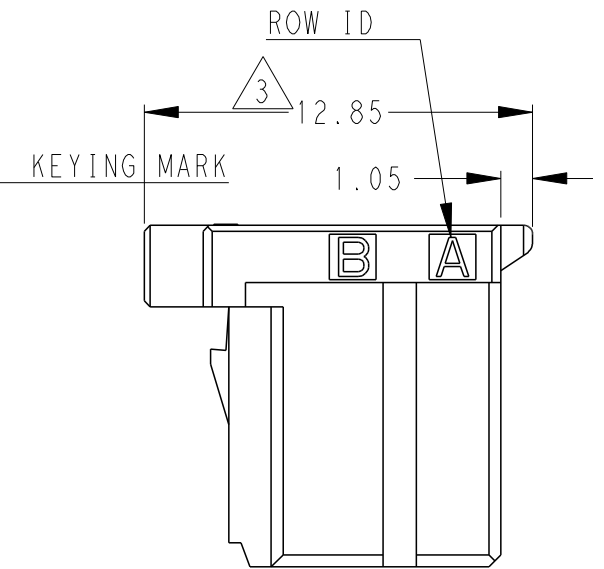
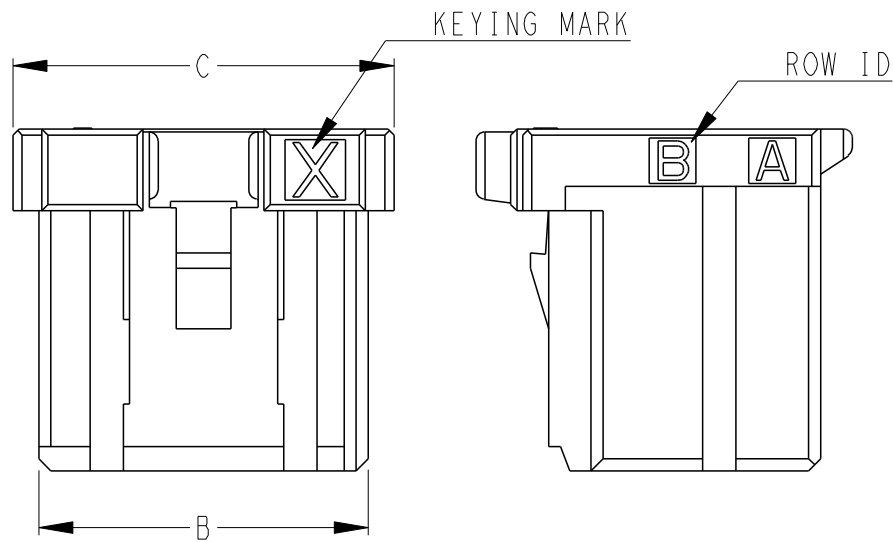
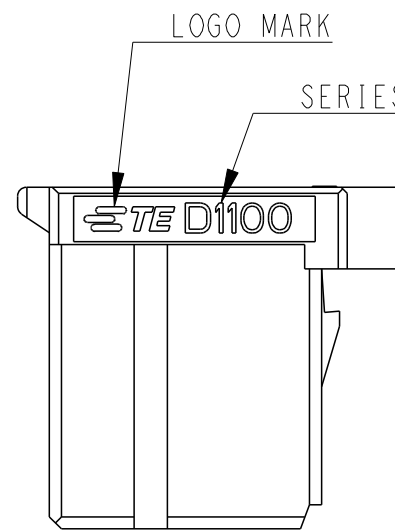
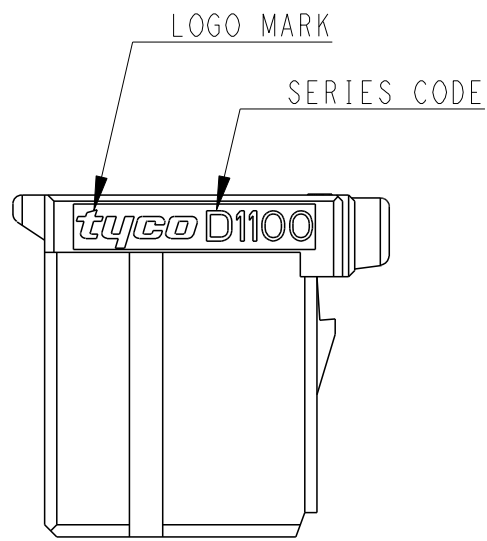
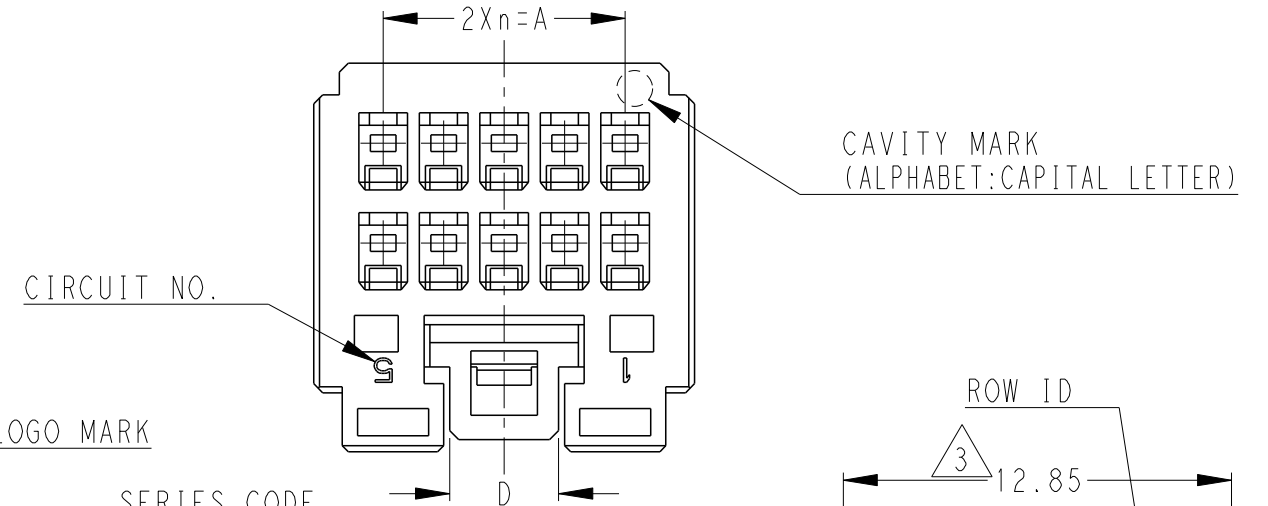
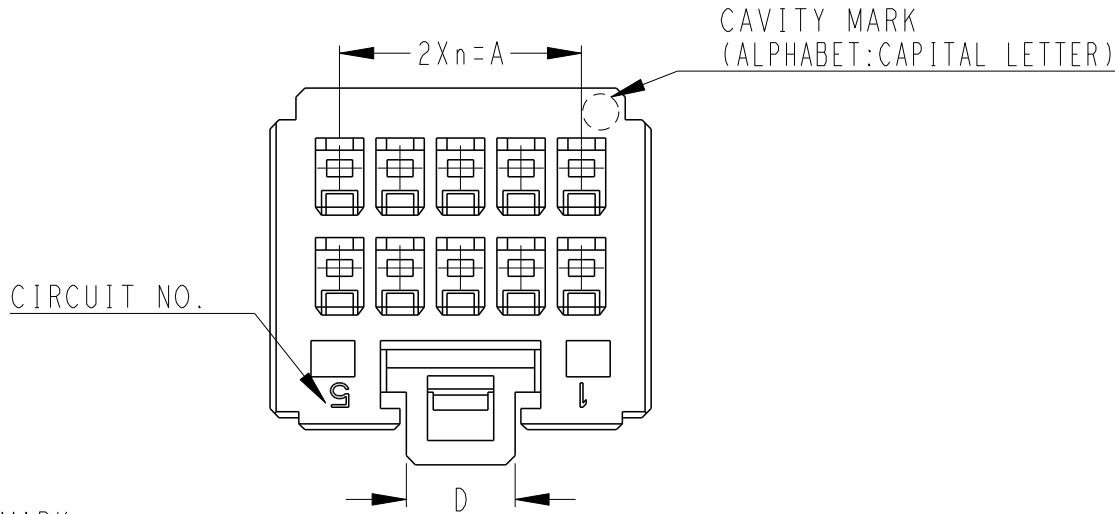
RELEASED FOR PUBLICATION

2005

© COPYRIGHT 2005

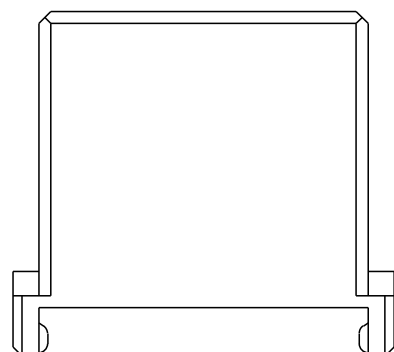
ALL RIGHTS RESERVED.

LOC	DIST	REVISIONS					
		P	LTR	DESCRIPTION	DATE	DWN	APVD
J	/	-	-	SEE SHEET 1	-	-	-



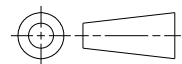
10POS(X-KEY)
1-1827862-5

10POS(X-KEY)
3-9-1827862-5



THIS DRAWING IS A CONTROLLED DOCUMENT.

DIMENSIONS:
mm



TOLERANCES UNLESS OTHERWISE SPECIFIED:

- 0 PLC ±-
- 1 PLC ±-
- 2 PLC ±-
- 3 PLC ±-
- 4 PLC ±-
- ANGLES ±-
- FINISH -

MATERIAL -

DWN -
CHK -
APVD -
PRODUCT SPEC -
APPLICATION SPEC -
WEIGHT -

STE TE Connectivity

NAME
DYNAMIC D1100D 2.0mm PITCH
REC HSG
10-20 POS

SIZE	CAGE CODE	DRAWING NO	RESTRICTED TO
A3	00779	C-1827862	-

CUSTOMER DRAWING

SCALE 4:1 SHEET 2 OF 3 REV F2

THIS DRAWING IS UNPUBLISHED.

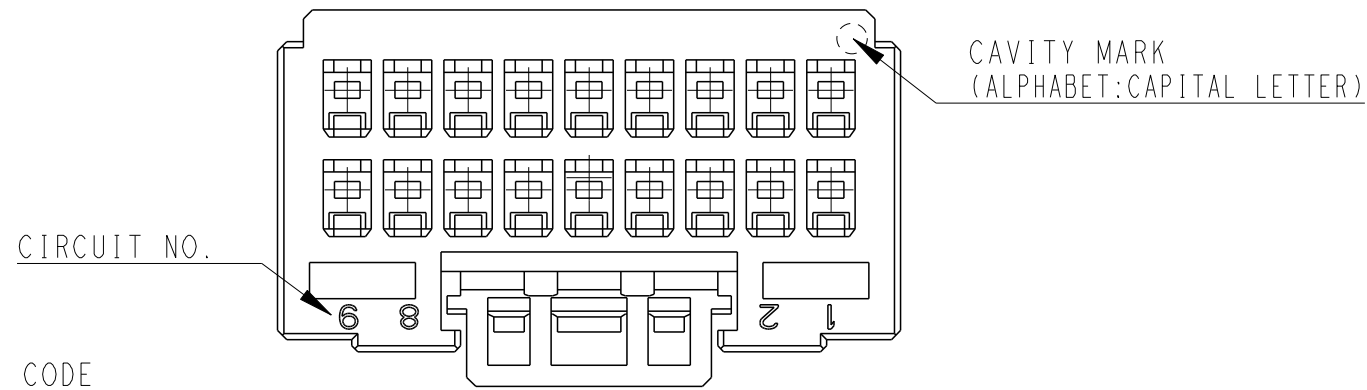
RELEASED FOR PUBLICATION

2005

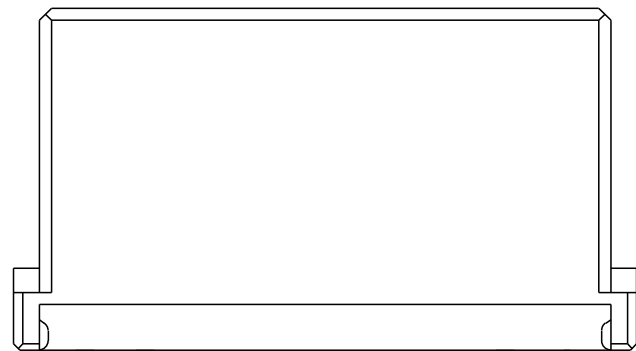
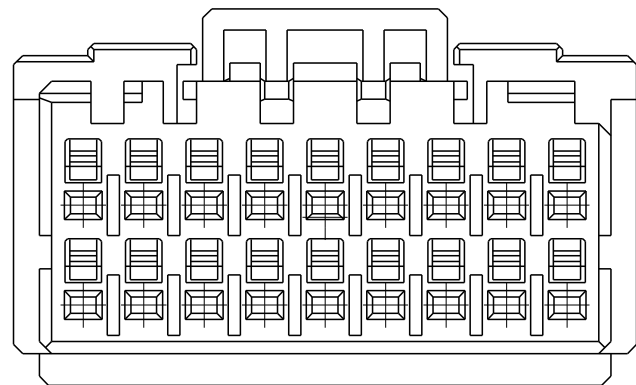
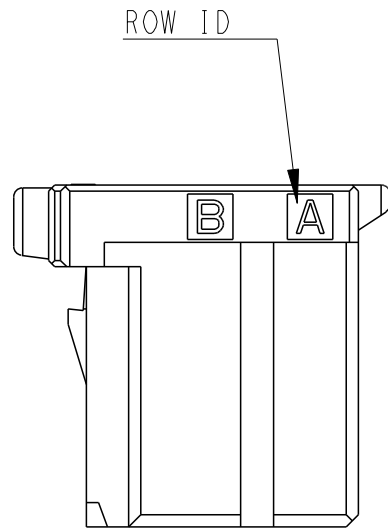
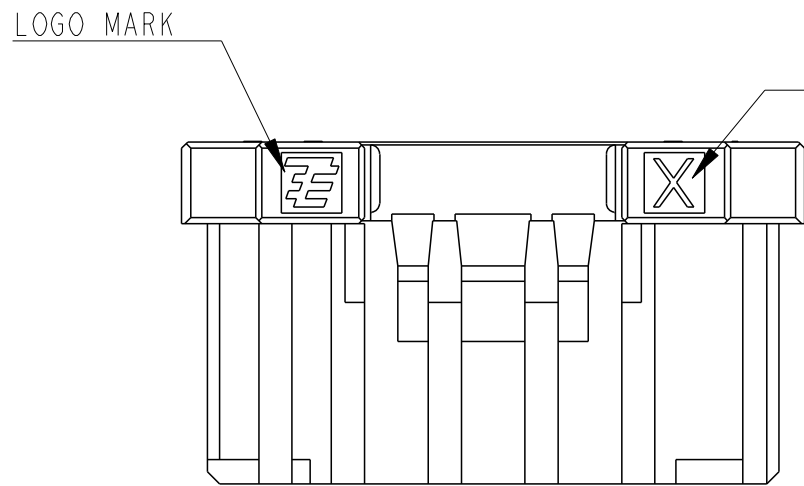
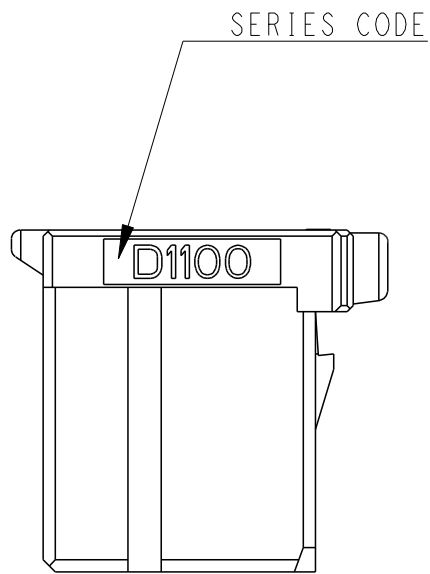
© COPYRIGHT 2005

ALL RIGHTS RESERVED.

LOC	DIST	REVISIONS			
P	LTR	DESCRIPTION	DATE	DWN	APVD
		SEE SHEET 1	-	-	-



AS SHOWN
18POS(X-KEY) : 1-1827862-9



THIS DRAWING IS A CONTROLLED DOCUMENT.		DWN -		TE Connectivity	
DIMENSIONS: mm		CHK -			
		TOLERANCES UNLESS OTHERWISE SPECIFIED:		APVD -	
		0 PLC ±- 1 PLC ±- 2 PLC ±- 3 PLC ±- 4 PLC ±- ANGLES ±-		NAME DYNAMIC D1100D 2.0mm PITCH REC HSG 10-20 POS	
MATERIAL -		FINISH -		PRODUCT SPEC -	
				APPLICATION SPEC -	
				WEIGHT -	
				SIZE	CAGE CODE
				A3	00779
				DRAWING NO	RESTRICTED TO
				©-1827862	-
		CUSTOMER DRAWING		SCALE	SHEET
				4:1	3 OF 3
				REV	F2

D
C
B
A