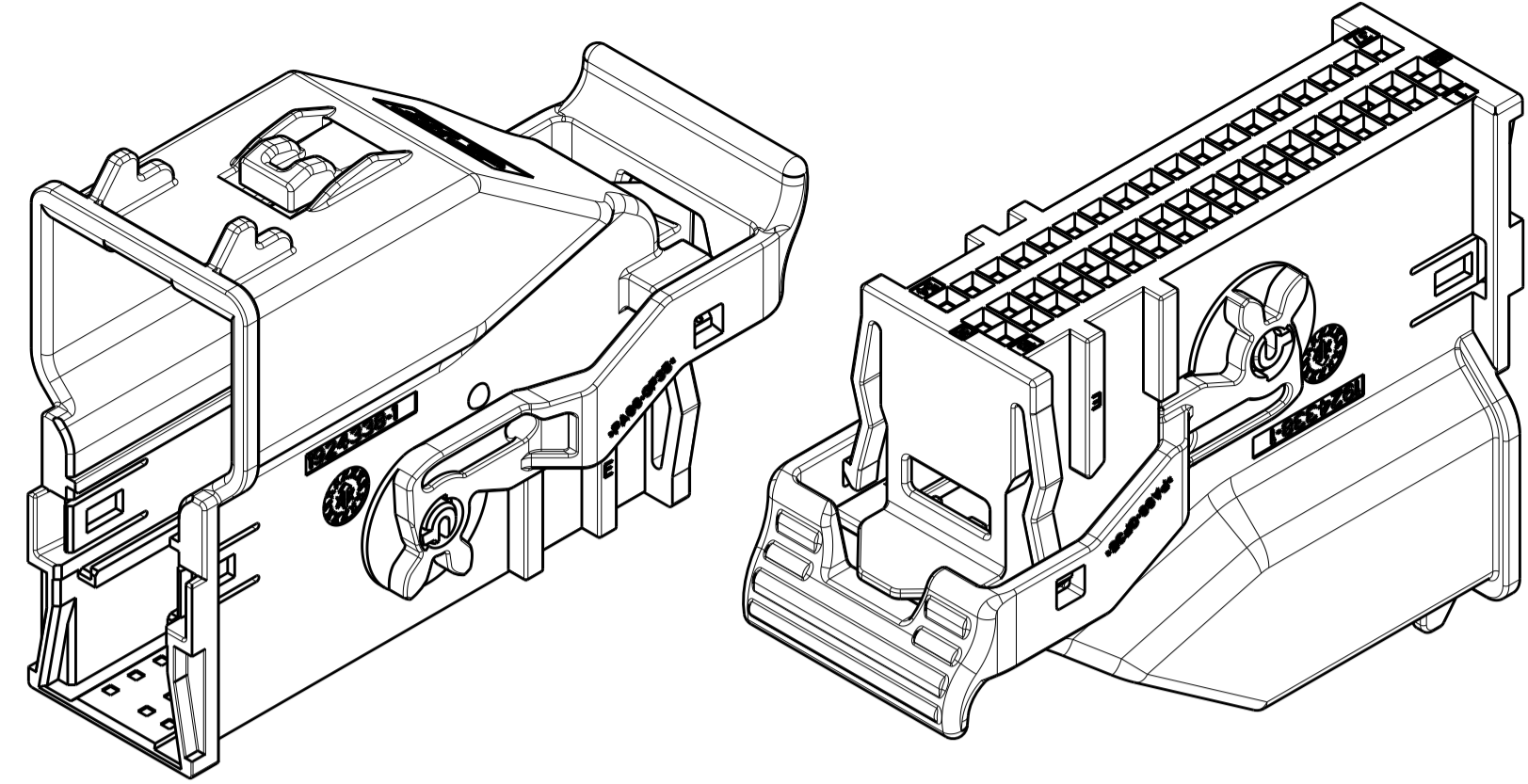
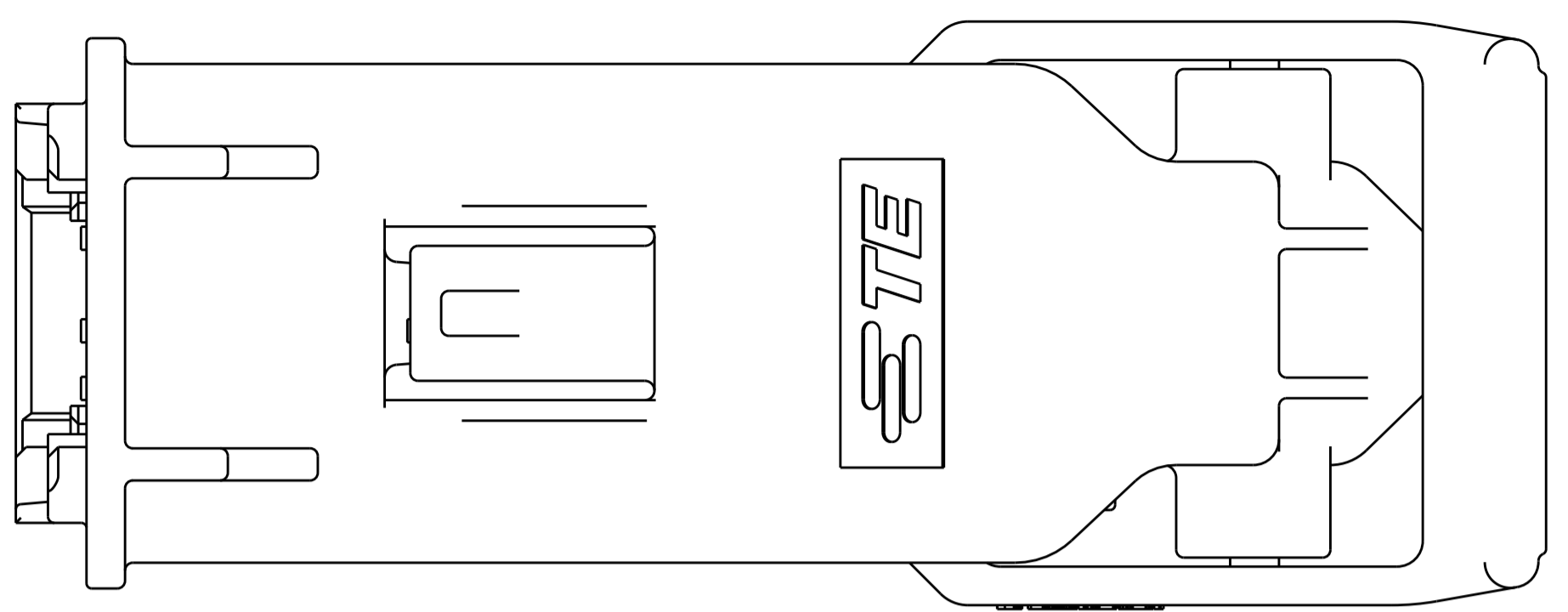


REVISIONS					
P.	LTN	DESCRIPTION	DATE	OWN	APP'D
A2		REVISED PER ECO-10-001736	27JAN2010	DLD	CJS
A3		REVISED PER ECO-16-000111	05JAN2016	DLD	CJS

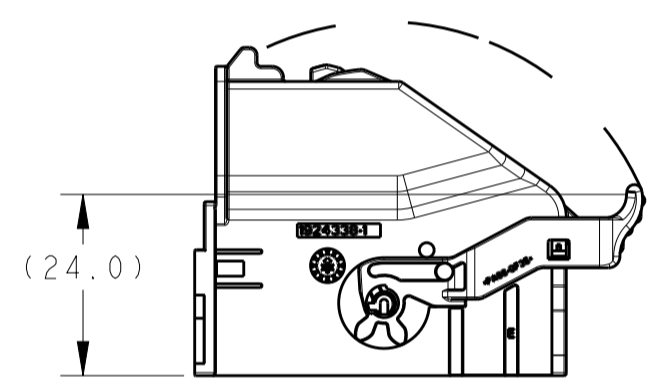
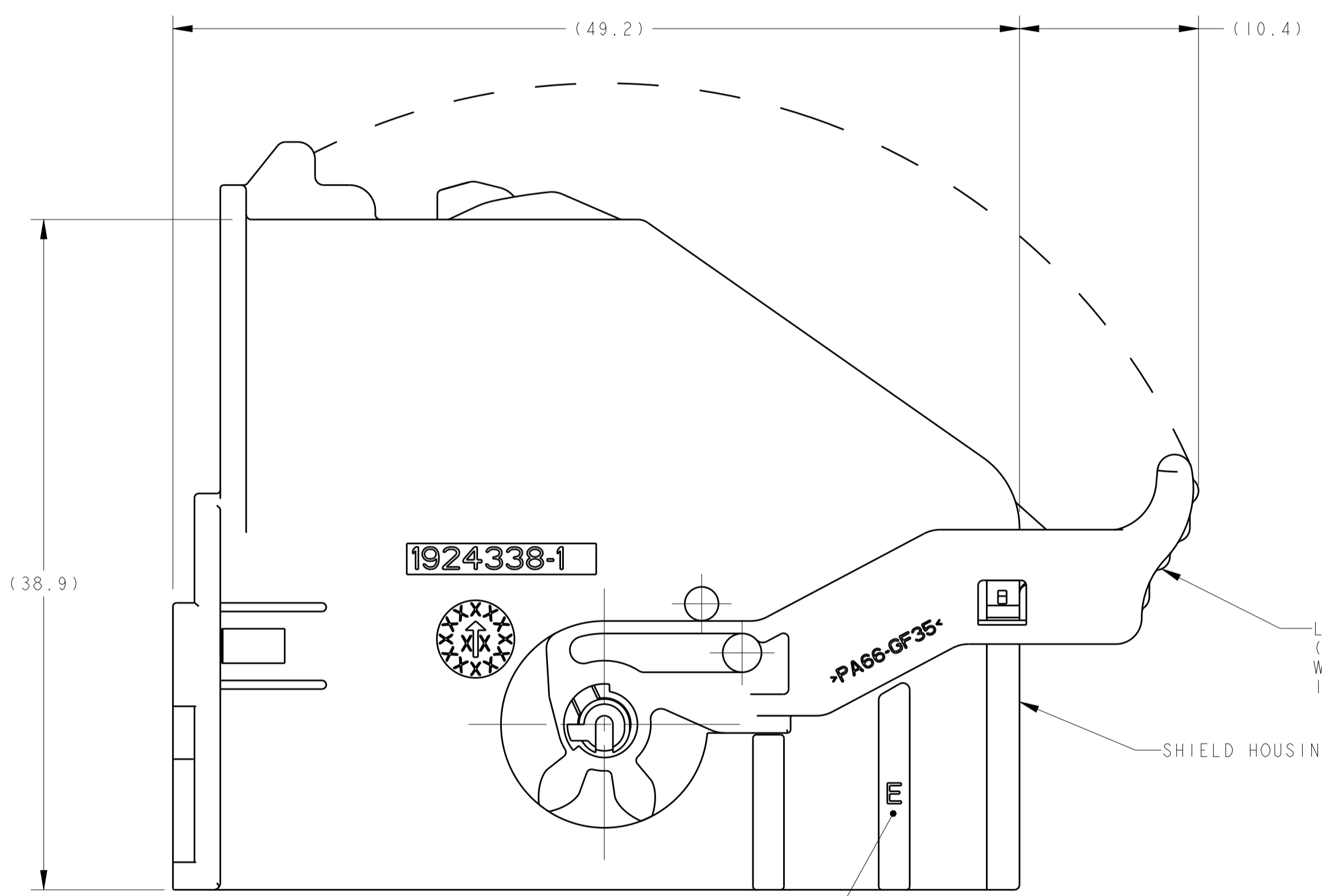
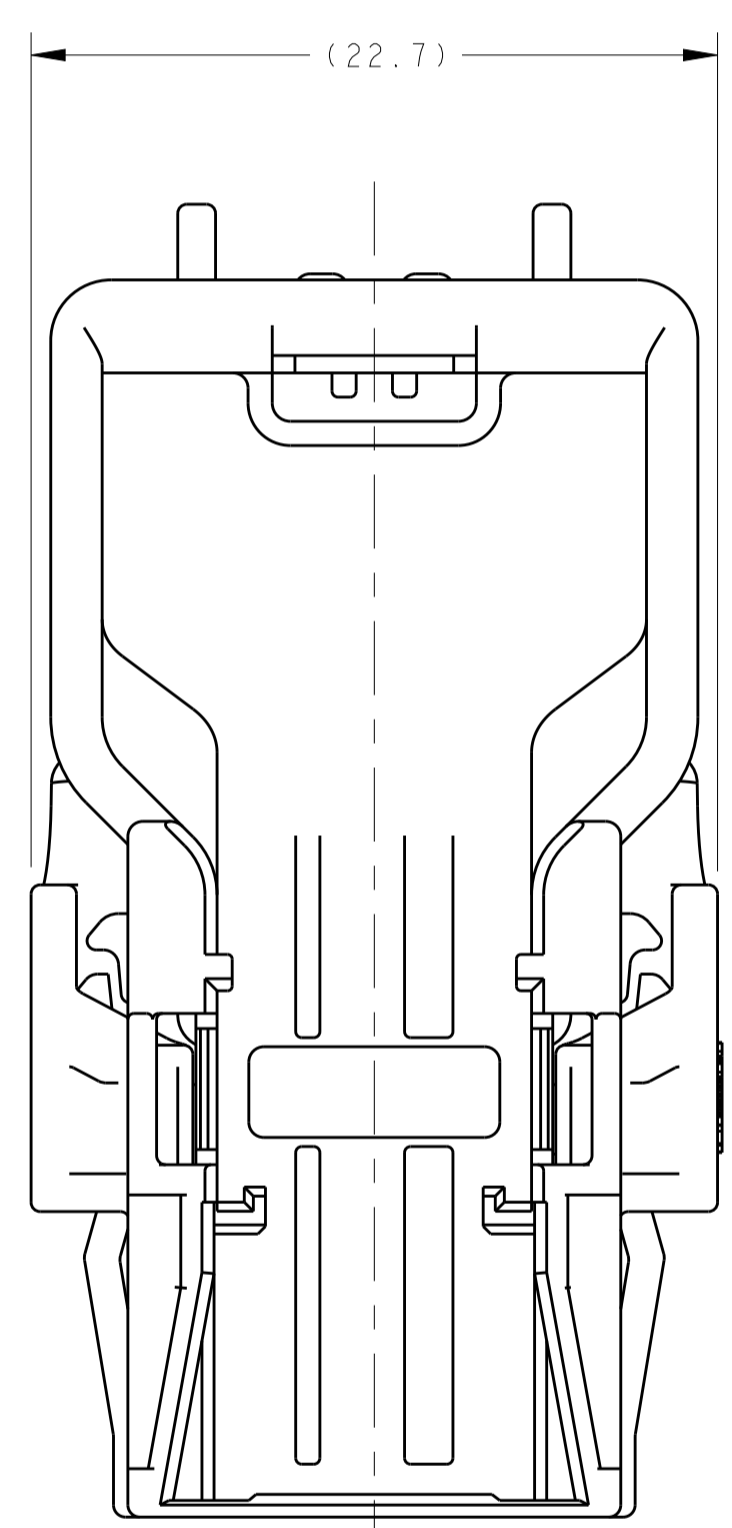


ISOMETRIC VIEWS  
SCALE 2:1



△ MATERIAL: SHIELD HOUSING: NYLON 6/6, COLOR - SEE TABLE.  
LEVER: NYLON 6/6, COLOR: GRAY.

2. SHIELD ASSEMBLY ACCEPTS ASSEMBLED TYCO ELECTRONICS CARRIER PART NUMBERS 1924340-1 & 1924341-1. 1924340-1 & 19243341-1 MUST BE ASSEMBLED TOGETHER BEFORE INSERTING INTO SHIELD ASSEMBLY.



LEVER IN MATED POSITION  
SHOWN FOR REFERENCE ONLY  
SCALE 1:1

LEVER  
(DELIVERY CONDITION  
WITH LEVER AS SHOWN LOCKED  
IN UNMATED POSITION)

SHIELD HOUSING

KEY IDENTIFIER REF

PRELIMINARY - NOT RELEASED FOR PRODUCTION	TBD	PER DETAIL Z	20°0'	PER DETAIL AF	A-F	1-1924337-6
PRELIMINARY - NOT RELEASED FOR PRODUCTION	TBD			PER DETAIL CD	C-D	1-1924337-5
PRELIMINARY - NOT RELEASED FOR PRODUCTION	TBD			PER DETAIL BF	B-F	1-1924337-4
RELEASED	BLACK	PER DETAIL AE	A-E	1-1924337-3		
PRELIMINARY - NOT RELEASED FOR PRODUCTION	TBD	PER DETAIL Y	45°0'	PER DETAIL AF	A-F	1-1924337-2
PRELIMINARY - NOT RELEASED FOR PRODUCTION	TBD			PER DETAIL CD	C-D	1-1924337-1
PRELIMINARY - NOT RELEASED FOR PRODUCTION	TBD			PER DETAIL BF	B-F	1-1924337-0
PRELIMINARY - NOT RELEASED FOR PRODUCTION	TBD	PER DETAIL X	70°0'	PER DETAIL AE	A-E	1924337-9
PRELIMINARY - NOT RELEASED FOR PRODUCTION	TBD			PER DETAIL AF	A-F	1924337-8
PRELIMINARY - NOT RELEASED FOR PRODUCTION	TBD			PER DETAIL CD	C-D	1924337-7
PRELIMINARY - NOT RELEASED FOR PRODUCTION	TBD	PER DETAIL W	90°0'	PER DETAIL BF	B-F	1924337-6
PRELIMINARY - NOT RELEASED FOR PRODUCTION	TBD			PER DETAIL AE	A-E	1924337-5
PRELIMINARY - NOT RELEASED FOR PRODUCTION	TBD			PER DETAIL AF	A-F	1924337-4
RELEASED	BLUE	PER DETAIL CD	C-D	1924337-3		
RELEASED	GRAY	PER DETAIL BF	B-F	1924337-2		
RELEASED	BLACK	PER DETAIL AE	A-E	1924337-1		
STATUS	SHIELD HOUSING COLOR	WIRE EXIT	WIRE EXIT ANGLE	KEYING	KEYING OPTION	PART NUMBER

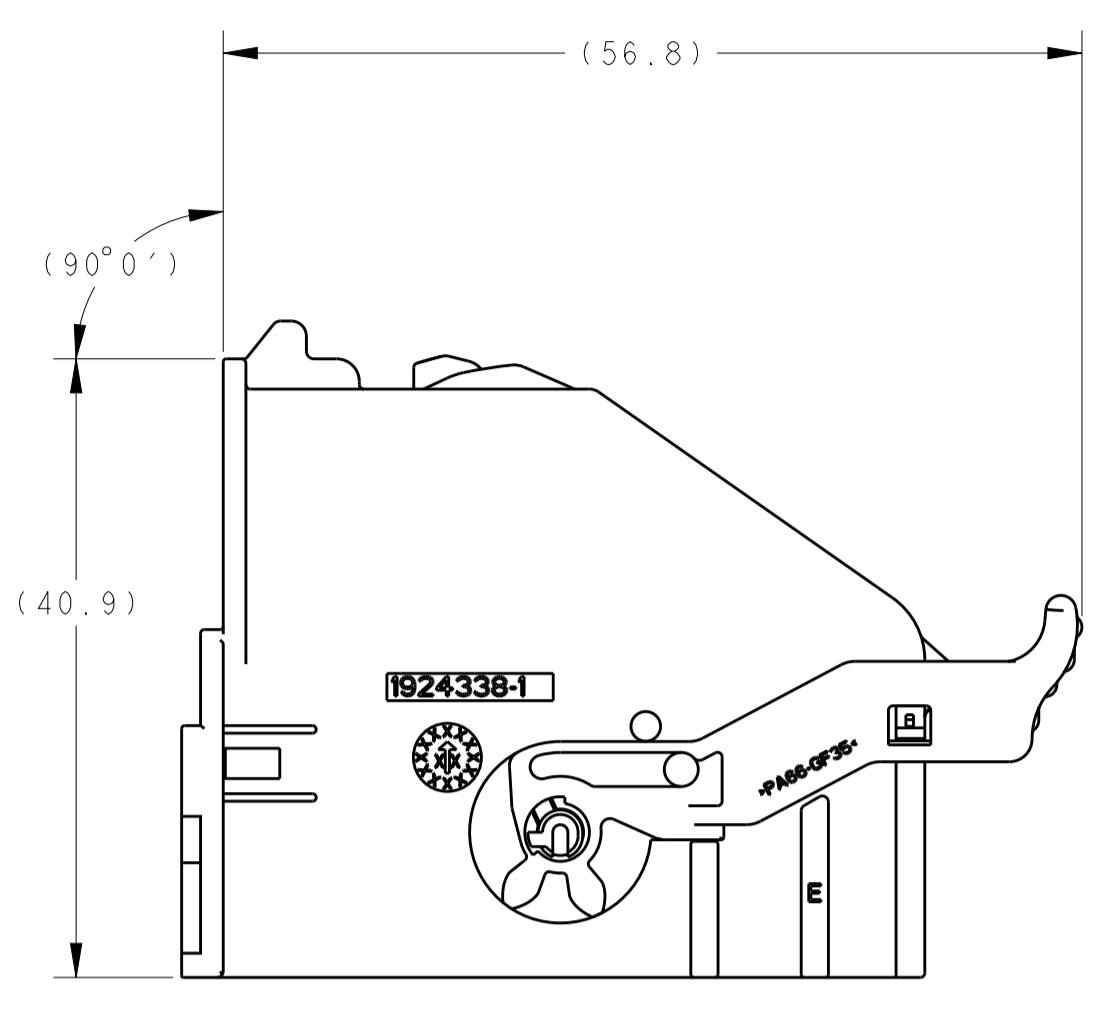
THIS DRAWING IS A CONTROLLED DOCUMENT.

DIMENSIONS:	TOLERANCES UNLESS OTHERWISE SPECIFIED:	OWN: H. FOLTZ 15FEB2007	CHK: G. MARTIN 16FEB2007	AP'D: G. MARTIN 16FEB2007	NAME: SHIELD ASSEMBLY, 54 POSITION, 0.64mm GENERATION Y, CONNECTOR
mm	0 PLC ±0.1 2 PLC ±0.05 3 PLC ±0.05 4 PLC ±0.05	AP'D: G. MARTIN 16FEB2007	PRODUCT SPEC	APPLICATION SPEC	SIZE: A100779
MATERIAL:	FINISH:	WEIGHT:	CUSTOMER DRAWING	SCALE: 1:1	SHEET 1 OF 2

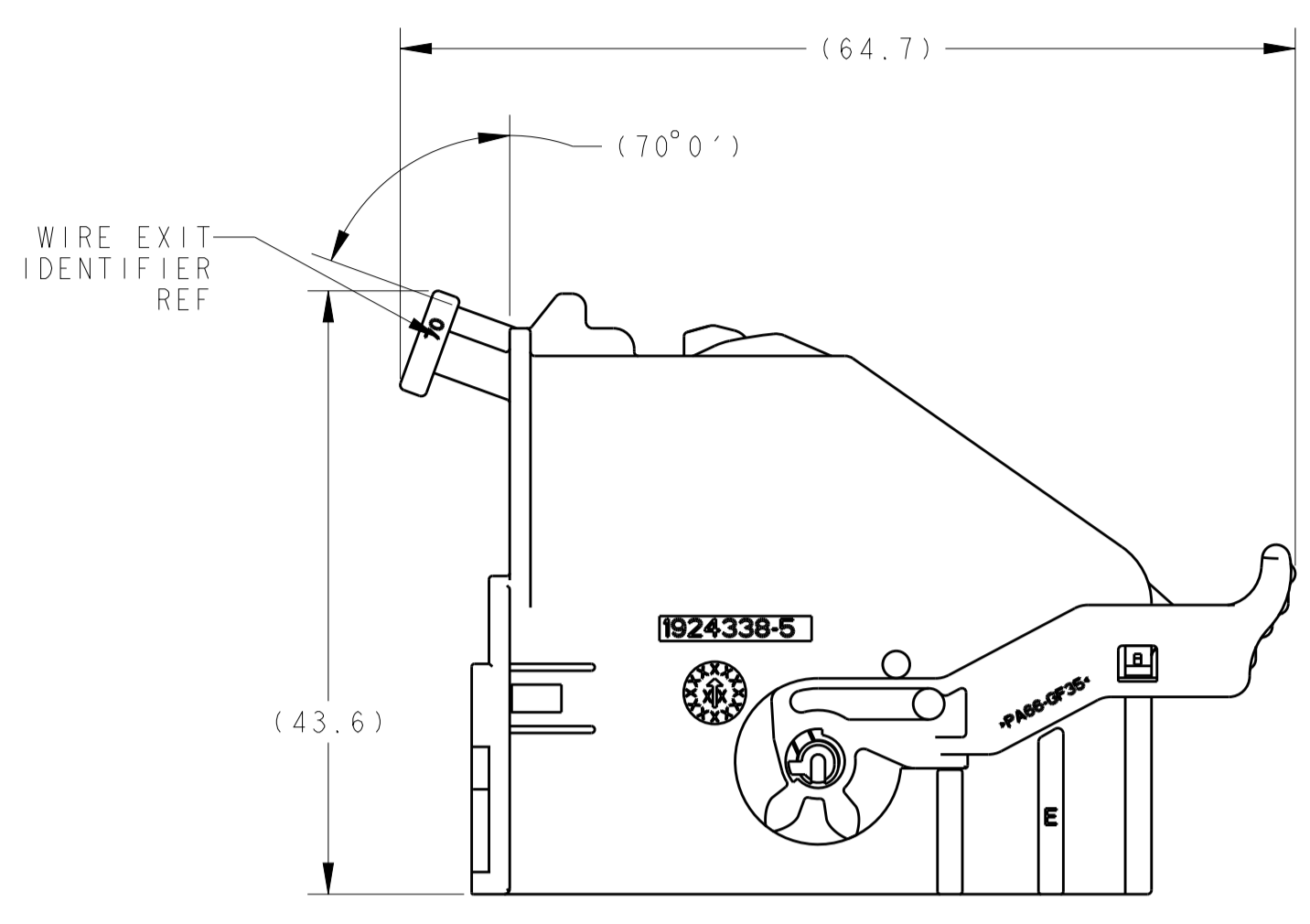
STC TE Connectivity

RESTRICTED TO

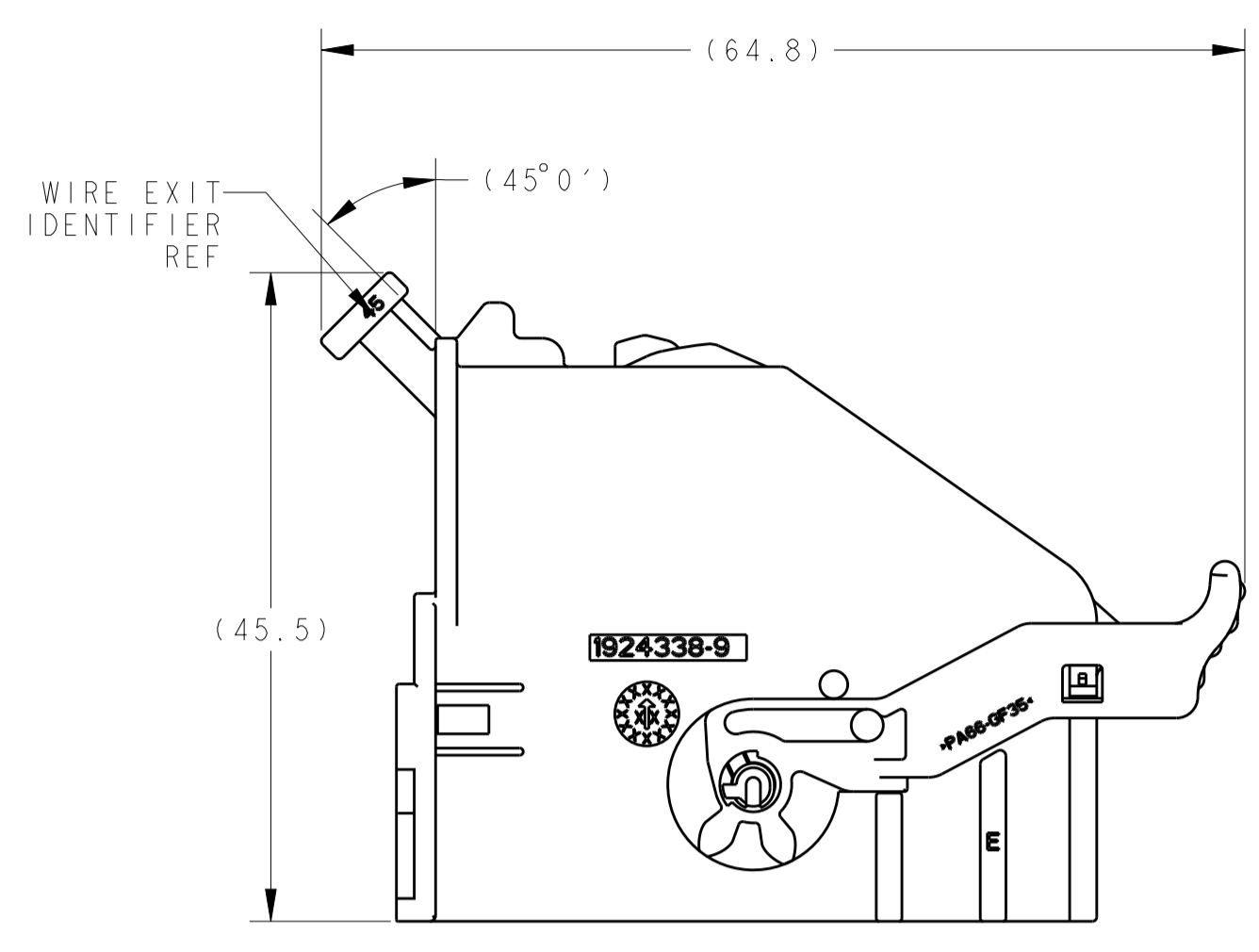
REVISIONS				
P.	LTN.	DESCRIPTION	DATE	OWN. APVD.
-	-	SEE SHEET 1	-	-



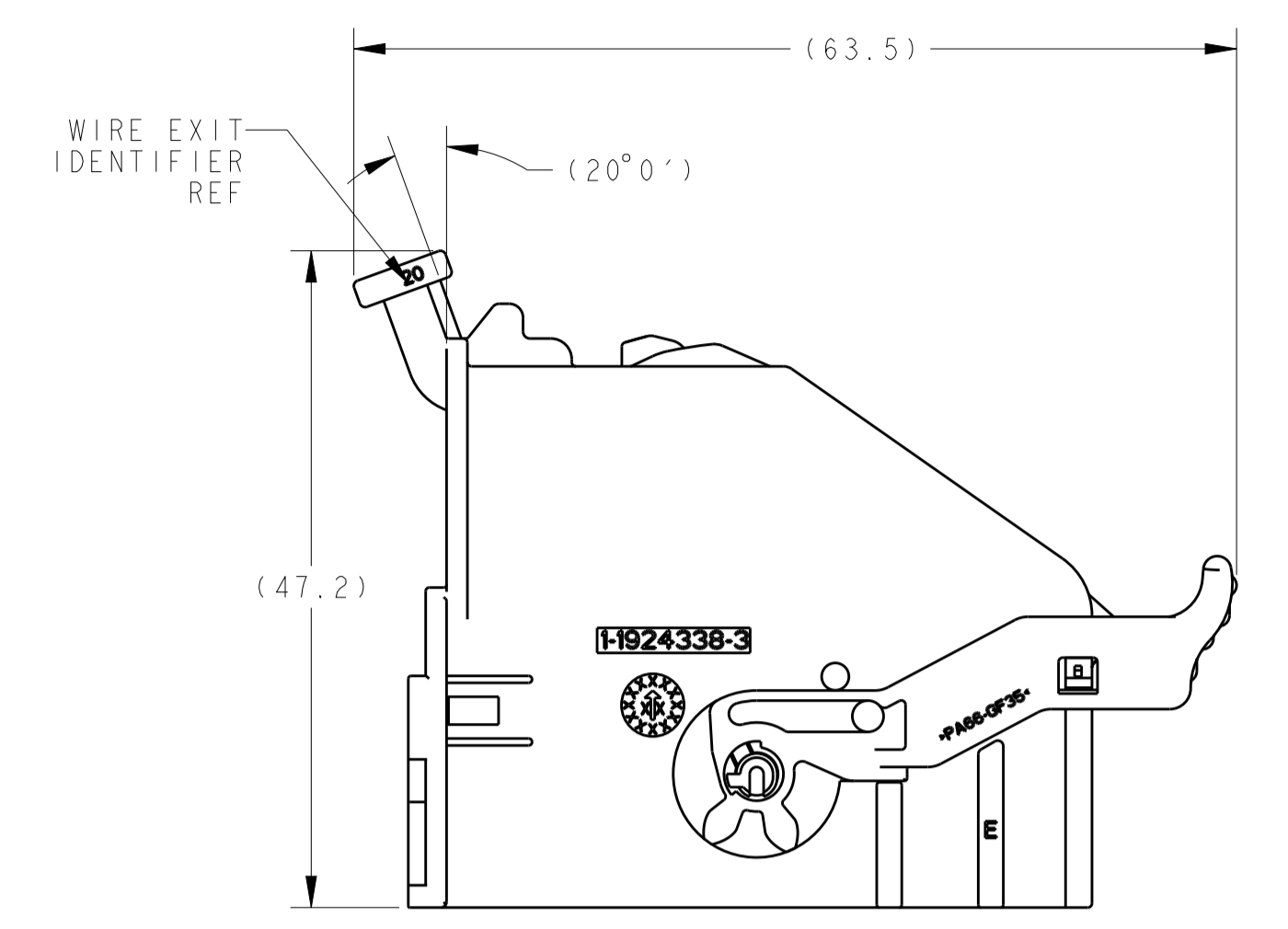
DETAIL W  
SCALE 2:1



DETAIL X  
SCALE 2:1

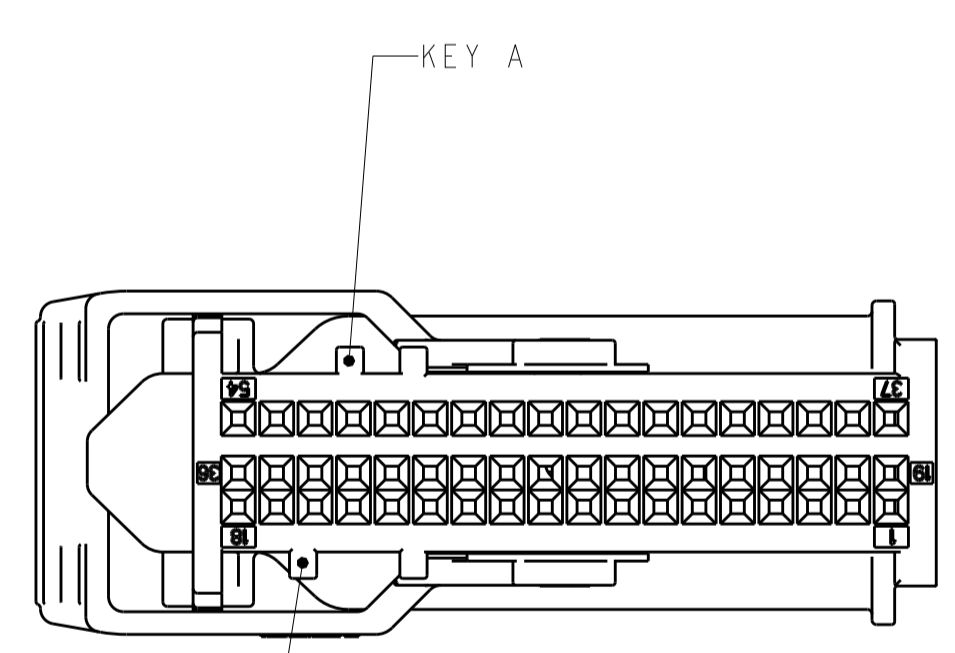


DETAIL Y  
SCALE 2:1

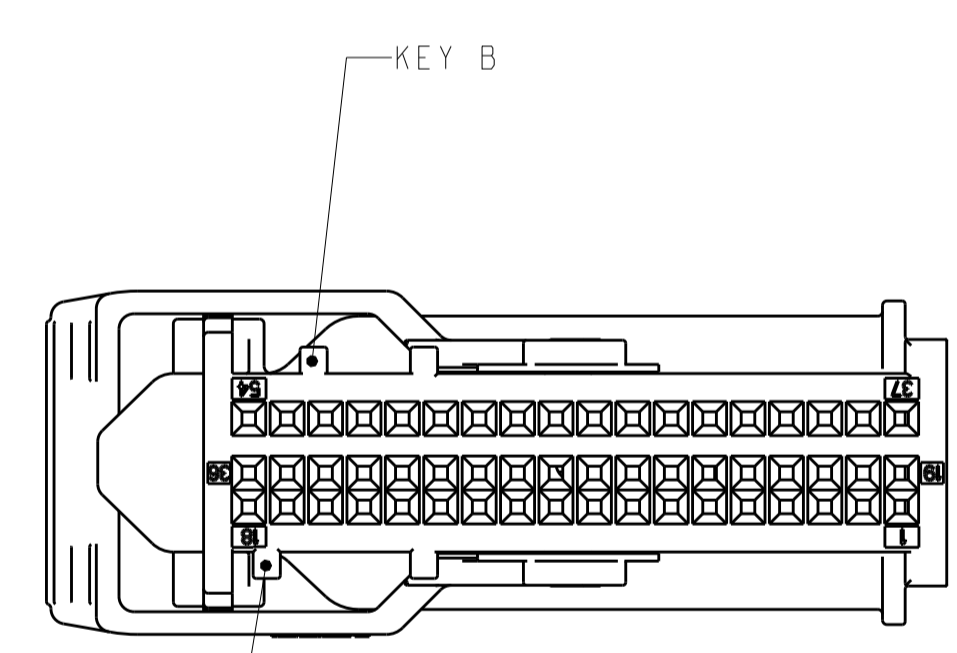


DETAIL Z  
SCALE 2:1

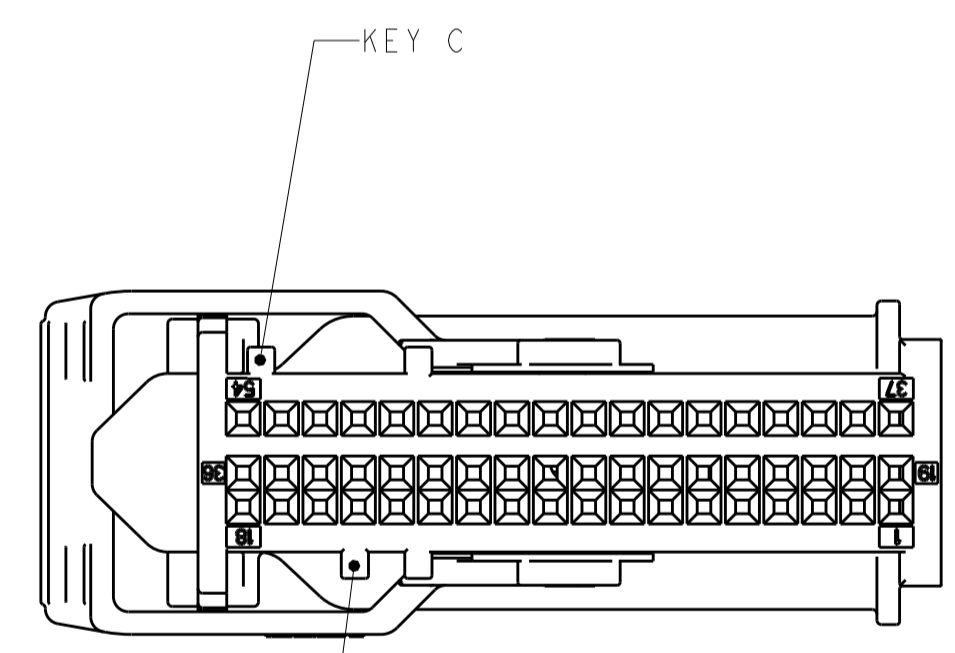
WIRE EXIT OPTIONS  
FOR REFERENCE ONLY



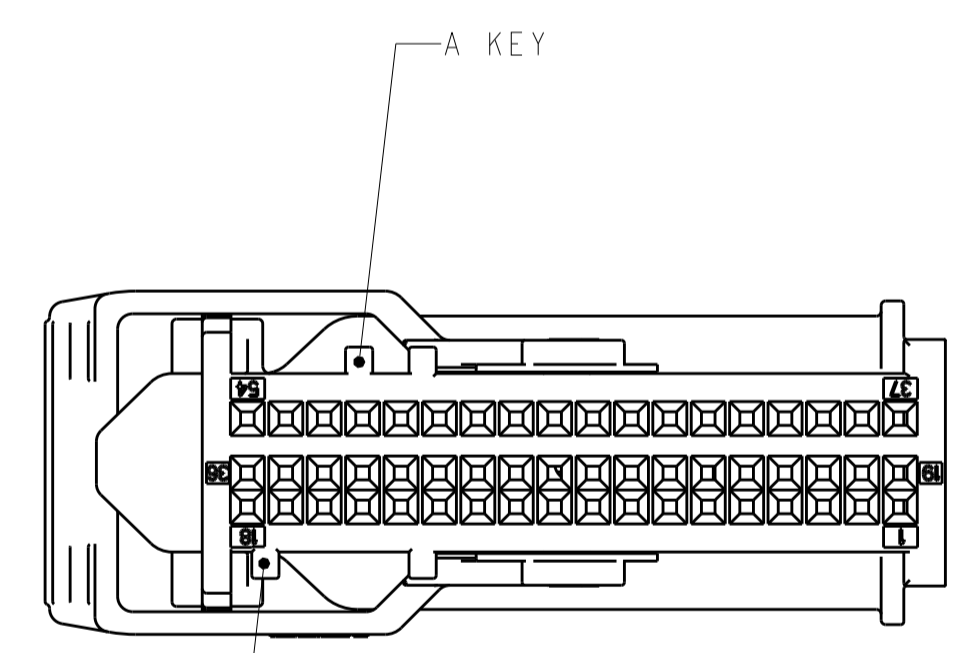
DETAIL AE  
SCALE 2:1



DETAIL BF  
SCALE 2:1



DETAIL CD  
SCALE 2:1



DETAIL AF  
SCALE 2:1

KEYING OPTIONS  
FOR REFERENCE ONLY

THIS DRAWING IS A CONTROLLED DOCUMENT.		OWN. R. FOLTZ 15FEB2007	TE Connectivity
DIMENSIONS:		CHK. G. MARTIN 16FEB2007	
mm	TOLERANCES UNLESS OTHERWISE SPECIFIED:	APVD. G. MARTIN 16FEB2007	NAME
0 PLC ±	1 PLC ±0.1	PRODUCT SPEC	SHIELD ASSEMBLY,
2 PLC ±0.05	3 PLC ±	APPLICATION SPEC	54 POSITION, 0.64mm GENERATION Y,
4 PLC ±	ANGLES ±1°0'	FINISH	CONNECTOR
MATERIAL	WEIGHT	CUSTOMER DRAWING	SIZE CAGE CODE DRAWING NO. RESTRICTED TO
-	-	-	A100779C=1924337
SCALE 1:1			SHEET 2 OF 2 REV A3

# Mouser Electronics

Authorized Distributor

Click to View Pricing, Inventory, Delivery & Lifecycle Information:

[TE Connectivity:](#)

[1-1924337-3](#)