

THIS DRAWING IS UNPUBLISHED.

RELEASED FOR PUBLICATION

-. -. .

© COPYRIGHT - By -

ALL RIGHTS RESERVED.

LOC
FT

DIST
0

REVISIONS

P	LTR	DESCRIPTION	DATE	DWN	APVD
	A2	REVISED PER ECO-11-004820	11MAR11	RK	HMR

MATERIALS:

HOUSING: PA66, UL94V-0, COLOR: GREEN.
 CONTACT: PHOS BRONZE, TIN PLATED.
 WIRE GUARD: STEEL, ZINC CHROMATE.
 CAGE CLAMP: STEEL, ZINC CHROMATE.
 SCREW: STEEL, ZINC PLATED.

ELECTRICAL:

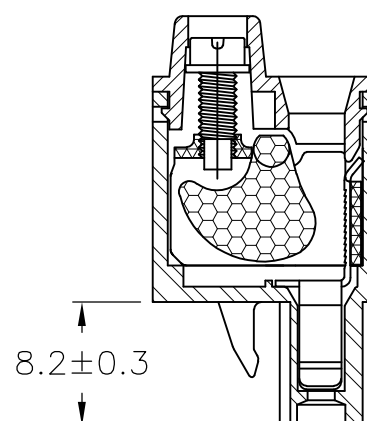
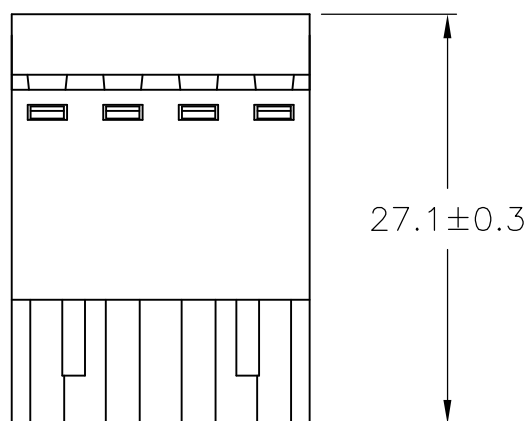
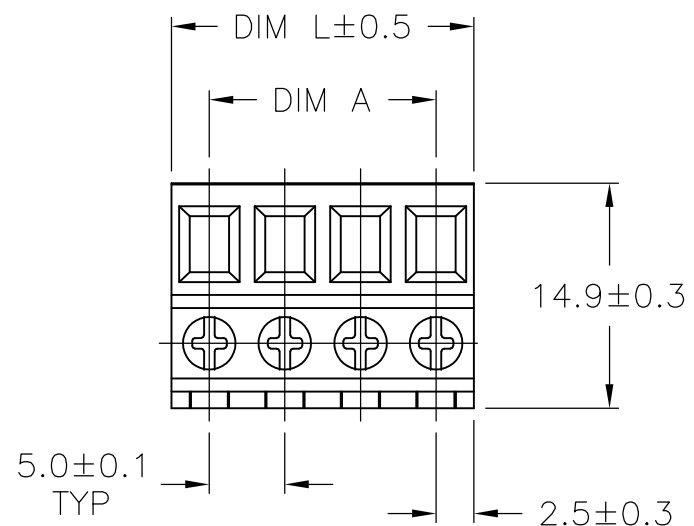
VOLTAGE RATING: 300V.
 CURRENT RATING: 16A.
 INSULATION RESISTANCE 2000Mohm/DC500V.
 WITHSTANDING VOLTAGE AC2000V MIN
 WIRE RANGE: 14-24 AWG

MECHANICAL:

SCREW TORQUE: 4.5 IN-LB
 WIRE STRIP LENGTH: 10mm

ENVIRONMENTAL:

WORKING TEMP.: -40°C TO +105°C.



60.0	55.00	12	1-1986300-2
55.0	50.00	11	1-1986300-1
50.0	45.00	10	1-1986300-0
45.0	40.00	9	1986300-9
40.0	35.00	8	1986300-8
35.0	30.00	7	1986300-7
30.0	25.00	6	1986300-6
25.0	20.00	5	1986300-5
20.0	15.00	4	1986300-4
15.0	10.00	3	1986300-3
10.0	5.00	2	1986300-2
DIM L	DIM A	NO OF POS	PART NUMBER

THIS DRAWING IS A CONTROLLED DOCUMENT.		DWN S SCHLEGEL 27NOV2007	STE TE Connectivity	
DIMENSIONS: mm		CHK C RICHARD 11/28/07		
TOLERANCES UNLESS OTHERWISE SPECIFIED:		APVD C RICHARD 11/28/07	NAME	
0 PLC ± -		PRODUCT SPEC	TERMINAL BLOCK, PLUG, 5.0mm PITCH	
1 PLC ± 0.2		APPLICATION SPEC	SIZE CAGE CODE DRAWING NO RESTRICTED TO	
2 PLC ± 0.10		WEIGHT	A3 00779 C-1986300	
3 PLC ± -		CUSTOMER DRAWING	SCALE	SHEET
4 PLC ± -			NTS	1 OF 1
ANGLES ± 1°				REV A2
MATERIAL				
FINISH				