

THIS DRAWING IS UNPUBLISHED.

RELEASED FOR PUBLICATION

20

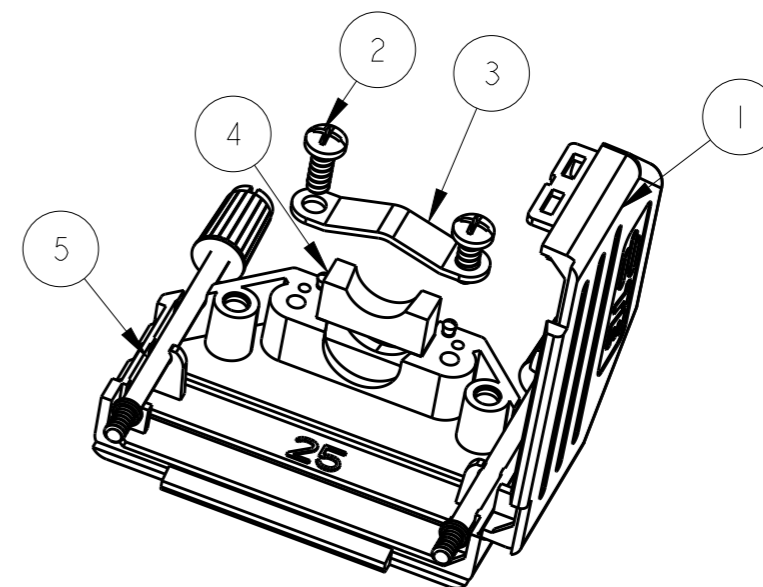
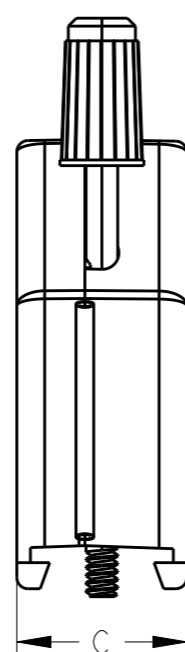
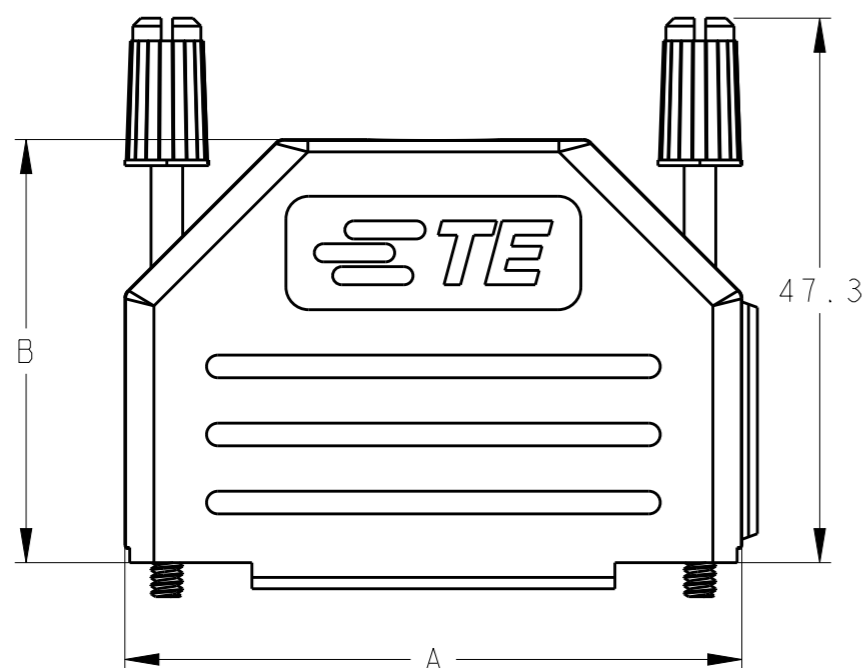
© COPYRIGHT 20

BY TYCO ELECTRONICS CORPORATION. ALL INTERNATIONAL RIGHTS RESERVED.

LOC GP DIST 00

REVISIONS

P	LTR	DESCRIPTION	DATE	DWN	APVD
	B	REVISED PER ECO-13-000397	31JAN2013	CJV	CWR



1 BULK PACKAGED SHELL ASSEMBLIES:
ITEMS 1 THRU 5, 100 TIMES QTY SHOWN
IN TABLE IN ONE BAG FOR EACH ITEM.
ALL BAGS IN ONE BOX.

2. TEMPERATURE RANGE -55C - +105C.

3. CABLE DIAMETER 3.0 - 11.0mm.

4 TRIVALENT CHROMIUM CHROMATE COATING
OVER ZINC PLATING.

	15.0	36.0	70.9	SELF TAPPING	4-40 UNC	4	37	BLACK	3-1991253-7
	15.0	37.3	54.4	SELF TAPPING	4-40 UNC	3	25	BLACK	2-1991253-5
	15.0	30.8	40.7	SELF TAPPING	4-40 UNC	2	15	BLACK	1-1991253-5
	15.0	31.3	32.4	SELF TAPPING	4-40 UNC	1	9	BLACK	1991253-9
PACKAGING	DIM C	DIM B	DIM A	FIXING SCREW TYPE	JACKSCREW THREAD	SHELL SIZE	POSITION	COLOUR	PART NO

5	JACKSCREW ASSEMBLY	POLYAMIDE UL94V2 (KNOB) CARBON STEEL (SHAFT)	BLACK 	2
4	CABLE CLAMP BASE	POLYAMIDE UL94 V2	BLACK	1
3	CABLE CLAMP	CARBON STEEL		1
2	FIXING SCREW	CARBON STEEL		2
1	BACKSHELL BODY	POLYAMIDE UL94 V2	BLACK	1
ITEM	DESCRIPTION	MATERIAL	FINISH	QTY

THIS DRAWING IS A CONTROLLED DOCUMENT FOR TYCO ELECTRONICS CORPORATION
IT IS SUBJECT TO CHANGE AND THE CONTROLLING ENGINEERING ORGANIZATION
SHOULD BE CONTACTED FOR THE LATEST REVISION.

DWN M.GREENER 05JAN2011
CHK J.AMBROSE 05JAN2011
APVD J.AMBROSE 05JAN2011

STE Tyco Electronics UK Ltd.
Bideford, North Devon, EX39 4HE

DIMENSIONS:		TOLERANCES UNLESS OTHERWISE SPECIFIED:	
mm			
	0 PLC	±0.5	
	1 PLC	±0.5	
	2 PLC	±0.5	
	3 PLC	±0.5	
	4 PLC	±0.5	
	ANGLES	±0.5	
FINISH		-	

MATERIAL SEE TABLE

PRODUCT SPEC
APPLICATION SPEC
WEIGHT

NAME
LOW COST PLASTIC D-SUB BACKSHELL

SIZE A300779 CAGE CODE G-1991253 DRAWING NO 1991253 RESTRICTED TO

CUSTOMER DRAWING SCALE NTS SHEET 1 OF 1 REV B