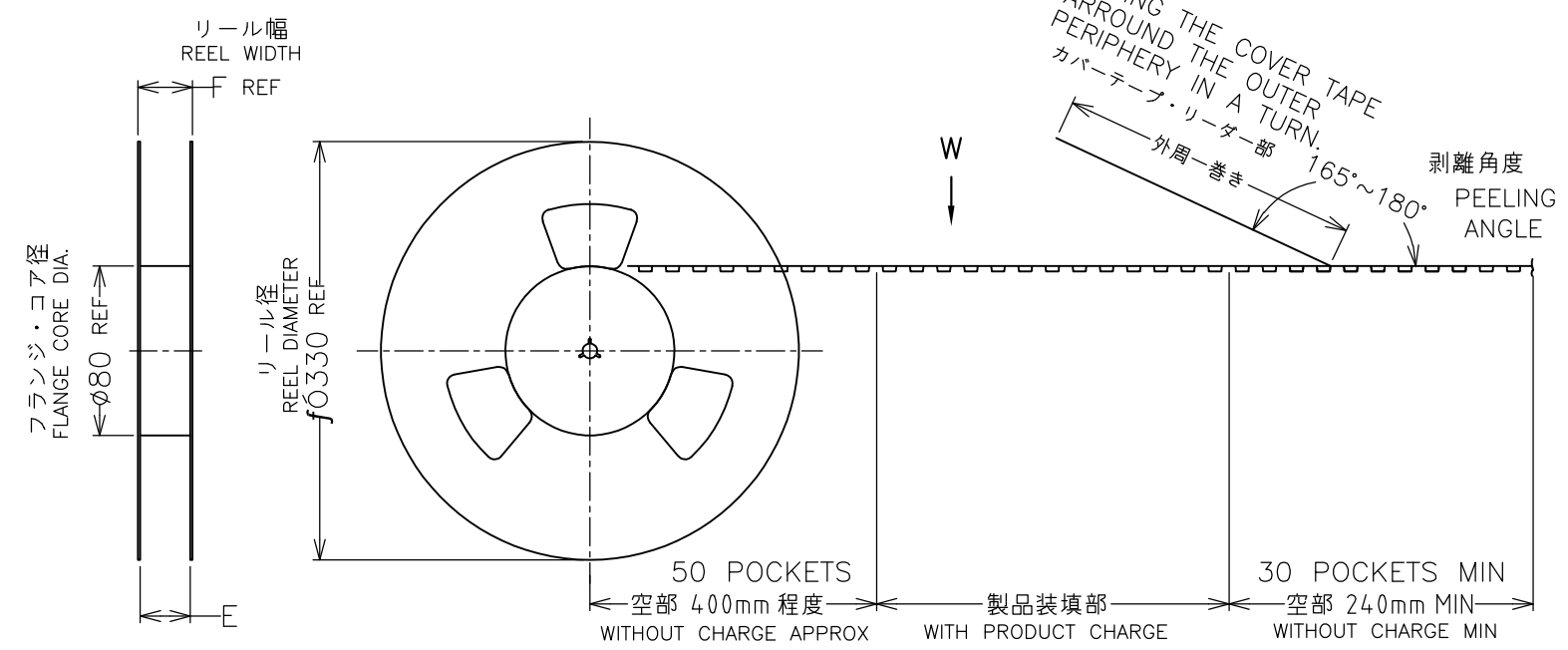
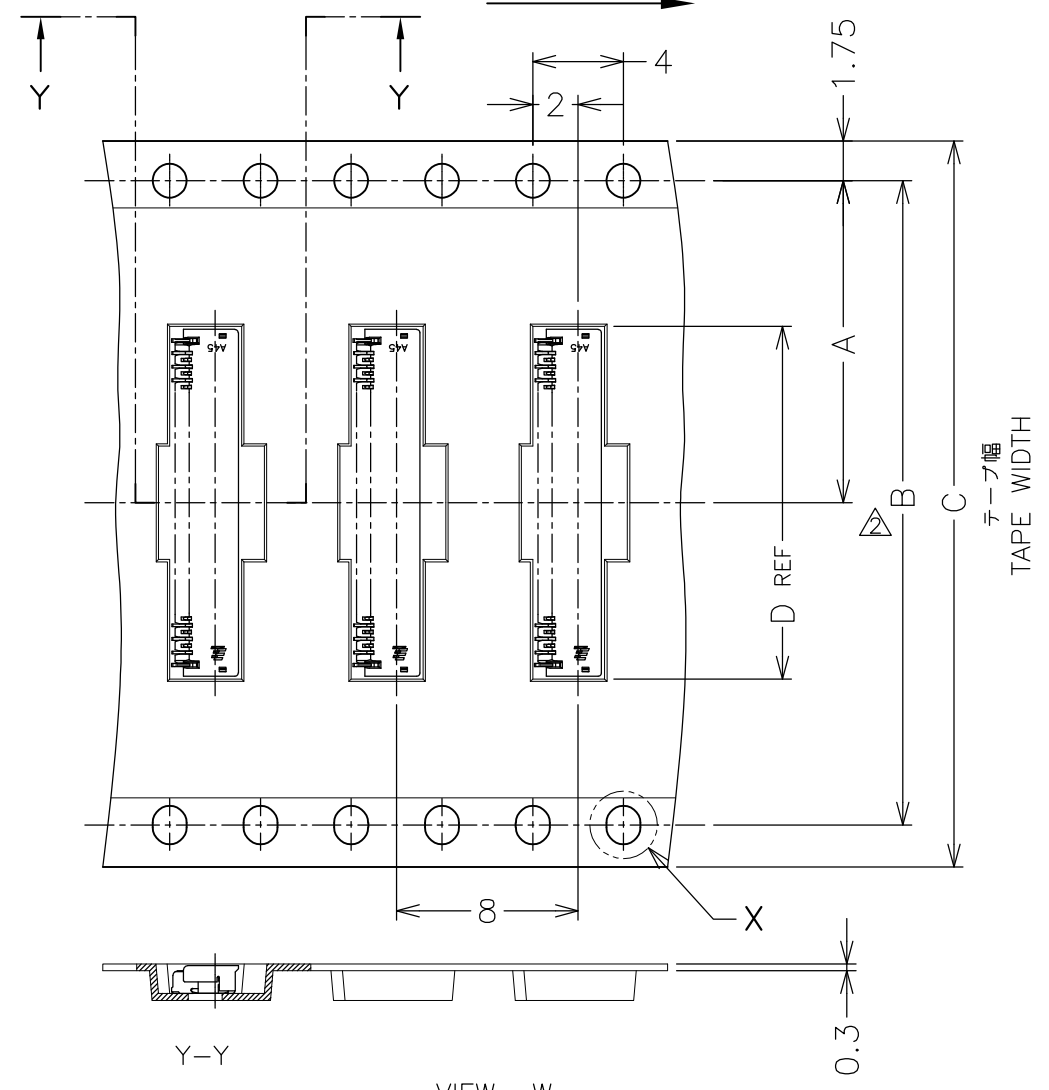


THIS DRAWING IS UNPUBLISHED. RELEASED FOR PUBLICATION
 © COPYRIGHT BY TYCO ELECTRONICS CORPORATION. ALL RIGHTS RESERVED.

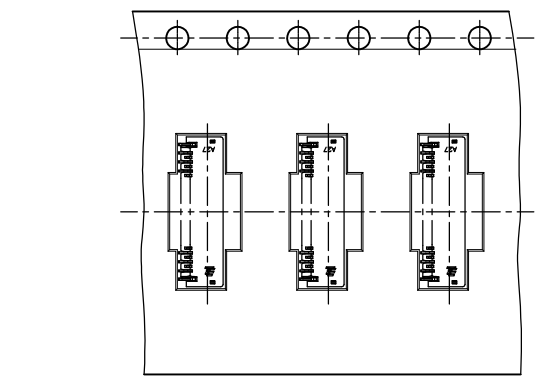
LOC	DIST	REVISIONS					
J	—	P	LTR	DESCRIPTION	DATE	DWN	APVD
		D1	REVISED		4NOV2009	Y.K	S.K

リール引出し方向
DIRECTION OFF TOP OF REEL

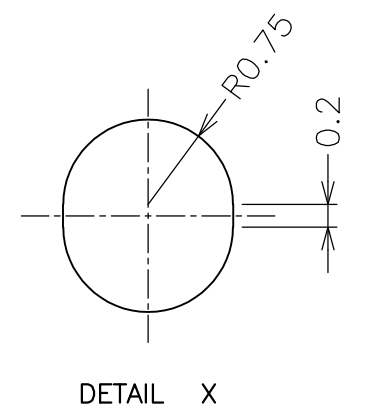


- △ GENERAL TOLERANCE
 10 ≥ : ±0.2
 30 ≥ > 10 : ±0.25
 100 ≥ > 30 : ±0.3
 ANGLES: ±3°
- △ DIM. B AND DETAIL "X" APPLIED TAPE WIDE, 32mm MORE.
- △ 一般公差
 10以下: ±0.2
 10を越え 30以下: ±0.25
 30を越え 100以下: ±0.3
 角度: ±3°
- △ B寸法及び"X"詳細図は、テープ幅32mm以上に適用

VIEW W
テープ幅32mm以上に適用
APPLIED TAPE WIDTH 32MM, MORE.



VIEW W
テープ幅12mm, 16mm, 24mmに適用
APPLIED TAPE WIDTH 12MM, 16MM AND 24MM.



AVAILABLE	0.102g	30.4	24.4	17.35	24	—	11.5	4000	51	2-2013496-1	
AVAILABLE	0.090g	30.4	24.4	15.55	24	—	11.5	4000	45	1-2013496-8	
AVAILABLE	0.083g	30.4	24.4	14.35	24	—	11.5	4000	41	1-2013496-6	
AVAILABLE	0.080g	30.4	24.4	13.75	24	—	11.5	4000	39	1-2013496-5	
AVAILABLE	0.066g	30.4	24.4	11.35	24	—	11.5	4000	31	1-2013496-1	
AVAILABLE	0.062g	30.4	24.4	10.75	24	—	11.5	4000	29	1-2013496-0	
AVAILABLE	0.059g	30.4	24.4	10.15	24	—	11.5	4000	27	2013496-9	
AVAILABLE	0.048g	22.4	16.4	8.35	16	—	7.5	4000	21	2013496-6	
STATUS	CONNECTOR WEIGHT	DIMENSIONS						数量(ヶ) QTY/REEL	POS.(N)	EMBOSS TAPE PACKAGING PART NUMBER	
		F	E	D	C	B	A				

THIS DRAWING IS A CONTROLLED DOCUMENT.

DWN Y.KODAIRA 29NOV2007
 CHK T.KUSUHARA 29NOV2007
 APVD T.KUSUHARA 29NOV2007

Tyco Electronics Tyco Electronics AMP K.K. Kawasaki, Japan

NAME: 0.3FPC Narrow BF-L-1.2H
 1.2mmH, 2.9mmW, GOLD PLATE

PRODUCT SPEC: 108-78351
 APPLICATION SPEC: 411-78302

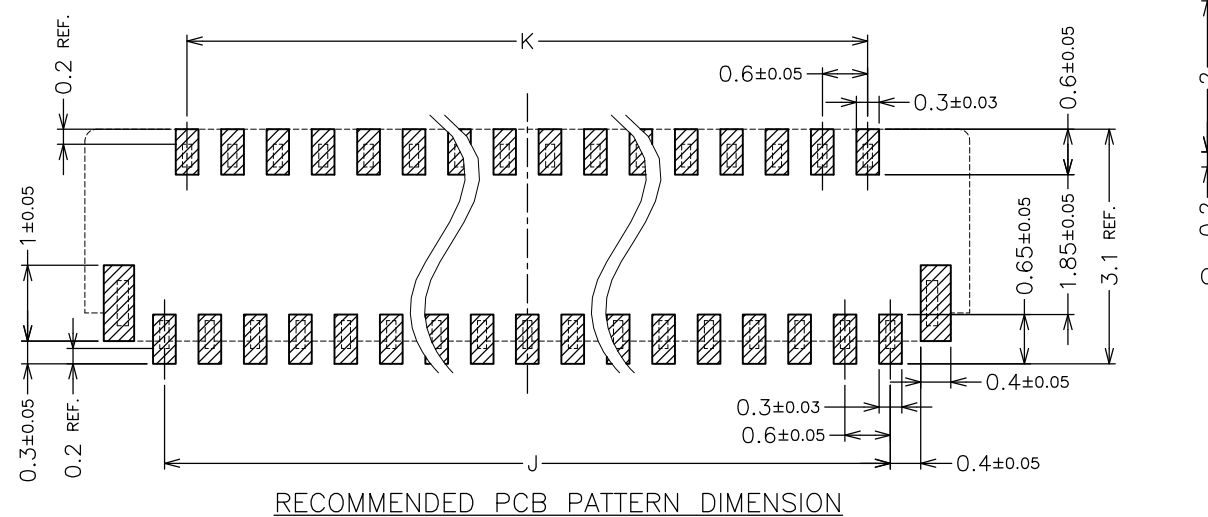
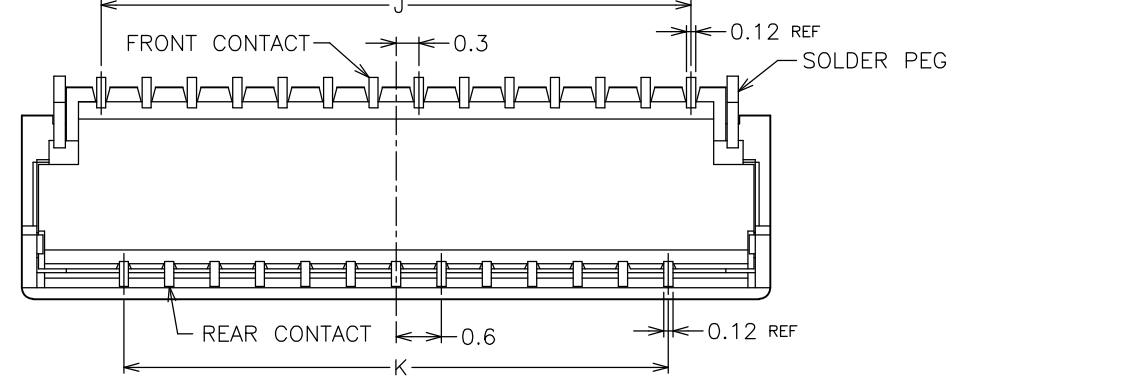
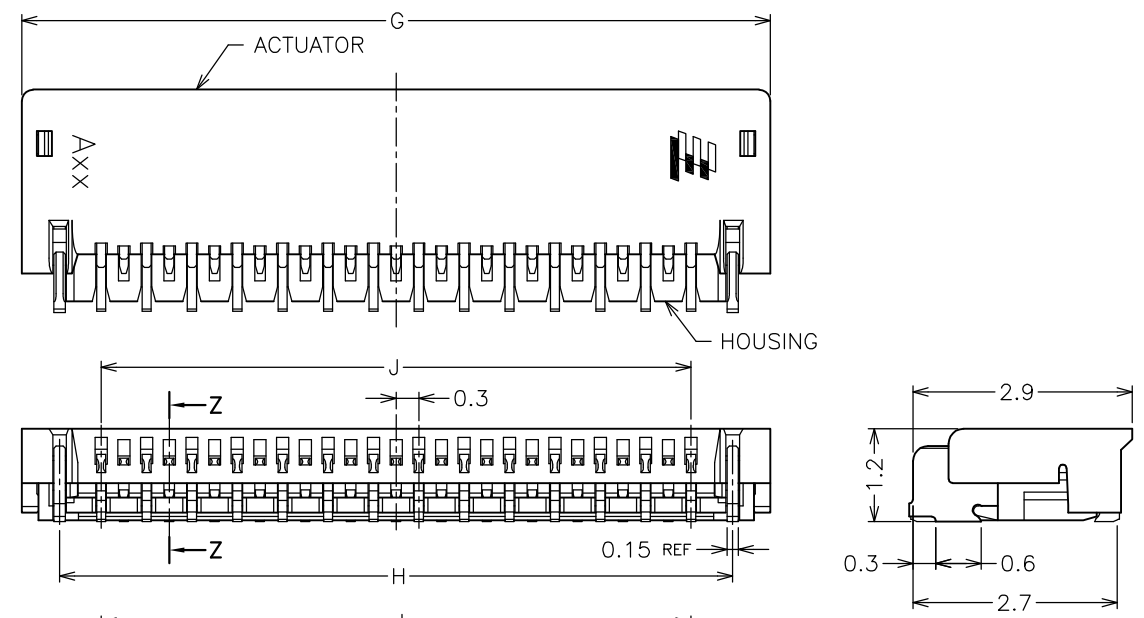
WEIGHT: SEE TABLE
 SIZE: A3 CAGE CODE: 00779 DRAWING NO: C-2013496

MATERIAL: SEE NOTE 3 FINISH: SEE NOTE 4

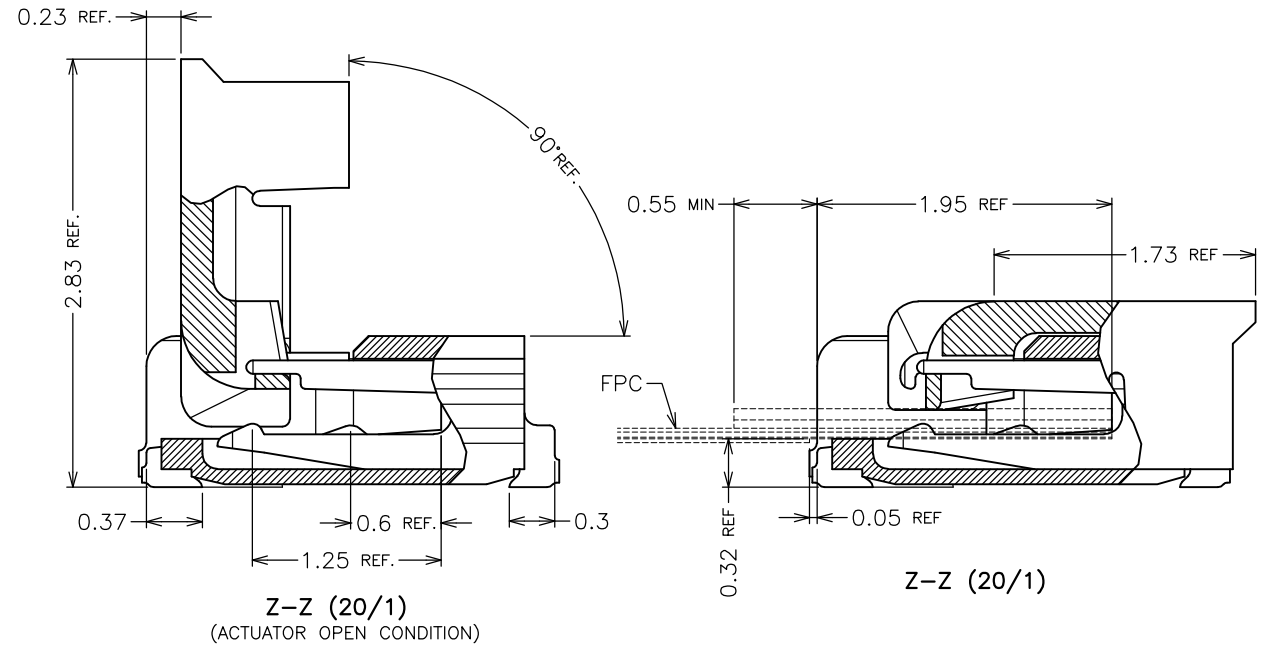
CUSTOMER DRAWING SCALE: 10:1 SHEET: 1 OF 2 REV: D1

THIS DRAWING IS UNPUBLISHED. RELEASED FOR PUBLICATION
 © COPYRIGHT BY TYCO ELECTRONICS CORPORATION. ALL RIGHTS RESERVED.

LOC	DIST	REVISIONS					
J	—	P	LTR	DESCRIPTION	DATE	DWN	APVD
		—		SEE SHEET 1	—	—	—

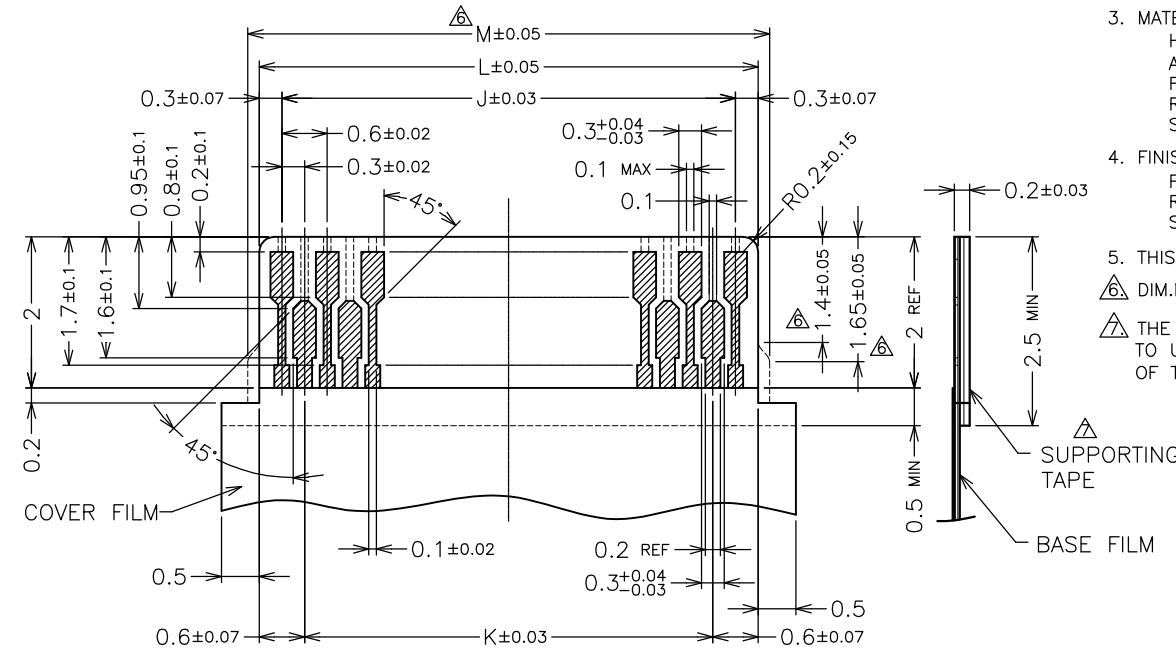


RECOMMENDED PCB PATTERN DIMENSION



Z-Z (20/1)
(ACTUATOR OPEN CONDITION)

Z-Z (20/1)



RECOMMENDED FPC PATTERN DIMENSION
 CONDUCTOR : GOLD OVER NICKEL PLATING (Au 0.1μm MIN.)

- MATERIAL**
 HOUSING : GRASS FULLED LCP, UL94V-0 (COLOR : NATURAL)
 ACTUATOR : GRASS FULLED PPS, UL94V-0 (COLOR : BLACK)
 FRONT CONTACT : COPPER ALLOY
 REAR CONTACT : COPPER ALLOY
 SOLDER PEG : COPPER ALLOY
- FINISH**
 FRONT CONTACT : GOLD OVER NICKEL PLATING
 REAR CONTACT : GOLD OVER NICKEL PLATING
 SOLDER PEG : TIN OVER NICKEL PLATING
- THIS PRODUCT IS THE NICKEL DAM TYPE.**
 DIM. M IS APPLIED BELOW 25PINS.
 THE SUPPORTING TAPE OF FPC IS RECOMMENDED TO USE THE POLYIMIDE OR THE EQUIVALENT MATERIAL OF THE THICKNESS OF 50μm OR MORE.

- 材質**
 ハウジング : ガラス繊維入りLCP樹脂 UL94V-0 (色:乳白色)
 アクチュエーター : ガラス繊維入りPPS樹脂 UL94V-0 (色:黒)
 フロントコンタクト : 銅合金
 リアコンタクト : 銅合金
 ソルダーペグ : 銅合金
- めっき**
 フロントコンタクト : 金めっき (ニッケル下地めっき)
 リアコンタクト : 金めっき (ニッケル下地めっき)
 ソルダーペグ : スズめっき (ニッケル下地めっき)
- 本品は、Niダム仕様のコネクタである。**
 DIM. Mは、25POS. 以下に適用。
 FPCの補強板には、厚さ50μm以上のポリイミドまたは相当材の使用を推奨する。

—	15.6	14.4	15.0	16.1	17.1	51	2-2013496-1
—	13.8	12.6	13.2	14.3	15.3	45	1-2013496-8
—	12.6	11.4	12.0	13.1	14.1	41	1-2013496-6
—	12.0	10.8	11.4	12.5	13.5	39	1-2013496-5
—	9.6	8.4	9.0	10.1	11.1	31	1-2013496-1
—	9.0	7.8	8.4	9.5	10.5	29	1-2013496-0
—	8.4	7.2	7.8	8.9	9.9	27	2013496-9
6.9	6.6	5.4	6.0	7.1	8.1	21	2013496-6
M	L	K	J	H	G	POS.	CONN. PART No.

THIS DRAWING IS A CONTROLLED DOCUMENT.		DWN	Tyco Electronics AMP K.K. Kawasaki, Japan	
DIMENSIONS: mm		CHK		
TOLERANCES UNLESS OTHERWISE SPECIFIED:		APVD	NAME	
0 PLC ± 0.3 1 PLC ± 0.3 2 PLC ± 0.3 3 PLC ± 0.3 4 PLC ± 0.3 ANGLES ± 3°		PRODUCT SPEC	0.3FPC Narrow BF-L-1.2H 1.2mmH, 2.9mmW, GOLD PLATE	
MATERIAL		APPLICATION SPEC	SIZE	CAGE CODE
SEE NOTE 3		FINISH	DRAWING NO	
SEE NOTE 4		WEIGHT	RESTRICTED TO	
		A3 00779		C-2013496
CUSTOMER DRAWING		SCALE	SHEET	REV
		10:1	2 OF 2	D1