

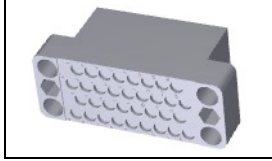


Have a Question?
Chat with a Product Information Specialist

What can we help you find?

1-201357-1 Product Details

[Share](#) [Print](#) [Email](#)



1-201357-1

TE Internal Number: 1-201357-1

Active

[View 3D PDF](#)

M Series Connectors

Always EU RoHS/ELV Compliant (Statement of Compliance)

Product Highlights:

- Product Series = M Series
- Connector
- Cable-to-Cable / Cable-to-Panel
- Applies To Panel, Applies To Wire/Cable
- Housing

[View all Features](#)

Quick Links

- ▶ [Pricing & Availability](#)
- ▶ [Search for Tooling](#)
- ▶ [Product Feature Selector](#)
- ▶ [Contact Us About This Product](#)

[Add to My Part List](#) [Request Sample](#) [Find Similar Products](#) [Buy Product](#)

Documentation & Additional Information	
<p>Product Drawings:</p> <ul style="list-style-type: none"> • 34 POSITION MINIATURE RECTANGULAR MALE BLOCK, M SERIES (PDF, English) <p>Catalog Pages/Data Sheets:</p> <ul style="list-style-type: none"> • M_SERIES_PIN_AND_SOCKET_CONNECTORS (PDF, English) <p>Product Specifications:</p> <ul style="list-style-type: none"> • None Available <p>Application Specifications:</p> <ul style="list-style-type: none"> • None Available <p>Instruction Sheets:</p> <ul style="list-style-type: none"> • AMP* 20 HVC, 34 AND 50 POSITION SERIES "M" CONNECTOR (PDF, English) <p>CAD Files: (CAD Format & Compression Information)</p> <ul style="list-style-type: none"> • 2D Drawing (DXF, Version T1) • 3D Model (IGES, Version T1) • 3D Model (STEP, Version T1) 	<p>Additional Information:</p> <ul style="list-style-type: none"> • Product Line Information <p>Related Products:</p> <ul style="list-style-type: none"> • Tooling
List all Documents	

Product Features (Please use the Product Drawing for all design activity)	
<p>Product Type Features:</p> <ul style="list-style-type: none"> • Product Series = M Series • Product Type = Connector • Connector Type = Housing • Strain Relief = Without • Sealed = No <p>Mechanical Attachment:</p> <ul style="list-style-type: none"> • Panel Mount Retention = With • Panel Mount Retention Type = Screw Mount <p>Dimensions:</p> <ul style="list-style-type: none"> • Length (X-Axis) (mm [in]) = 23.24 [0.915] • Width (Z-Axis) (mm [in]) = 19.05 [0.750] • Profile Height (Y-Axis) (mm [in]) = 50.80 [1.999] <p>Body Features:</p> <ul style="list-style-type: none"> • Mating Retention = Without <p>Contact Features:</p> <ul style="list-style-type: none"> • Contact Type = Pin <p>Housing Features:</p> <ul style="list-style-type: none"> • Connector Style = Plug • Centerline (mm [in]) = 3.30 [0.129] • Housing Material = Phenolic - GF • Housing Color = Black • Mating Alignment = With 	<p>Configuration Features:</p> <ul style="list-style-type: none"> • Number of Positions = 34 <p>Industry Standards:</p> <ul style="list-style-type: none"> • RoHS/ELV Compliance = RoHS compliant, ELV compliant • Lead Free Solder Processes = Not relevant for lead free process • RoHS/ELV Compliance History = Always was RoHS compliant <p>Environmental:</p> <ul style="list-style-type: none"> • Operating Temperature (°C [°F]) = -55 - +150 [-67 - +302] <p>Conditions for Usage:</p> <ul style="list-style-type: none"> • Applies To = Panel, Wire/Cable • For Use With = Mates with 200838 <p>Operation/Application:</p> <ul style="list-style-type: none"> • Application Use = Cable-to-Cable / Cable-to-Panel <p>Packaging Features:</p> <ul style="list-style-type: none"> • Packaging Method = Box/Carton • Packaging Quantity = 85 <p>Other:</p> <ul style="list-style-type: none"> • Brand = AMP • Comment = Housing accepts type II, type III+ and Subminiature Coaxicon contacts.; Housing cavity identification are mirror image.; Pins and/or sockets may be used in any housing.

- Mating Alignment Type = Guide Hole
- UL Flammability Rating = UL 94V-0

Corporate Information

- [About TE](#)
- [Investors](#)
- [News Room](#)
- [Supplier Portal](#)
- [Careers](#)
- [Terms & Conditions](#)
- [Privacy Policy](#)

Quick Links

- [Distributor Inventory](#)
- [Product Cross Reference](#)
- [Documents & Drawings](#)
- [Product Compliance Support Center](#)
- [Site Map](#)

Customer Support

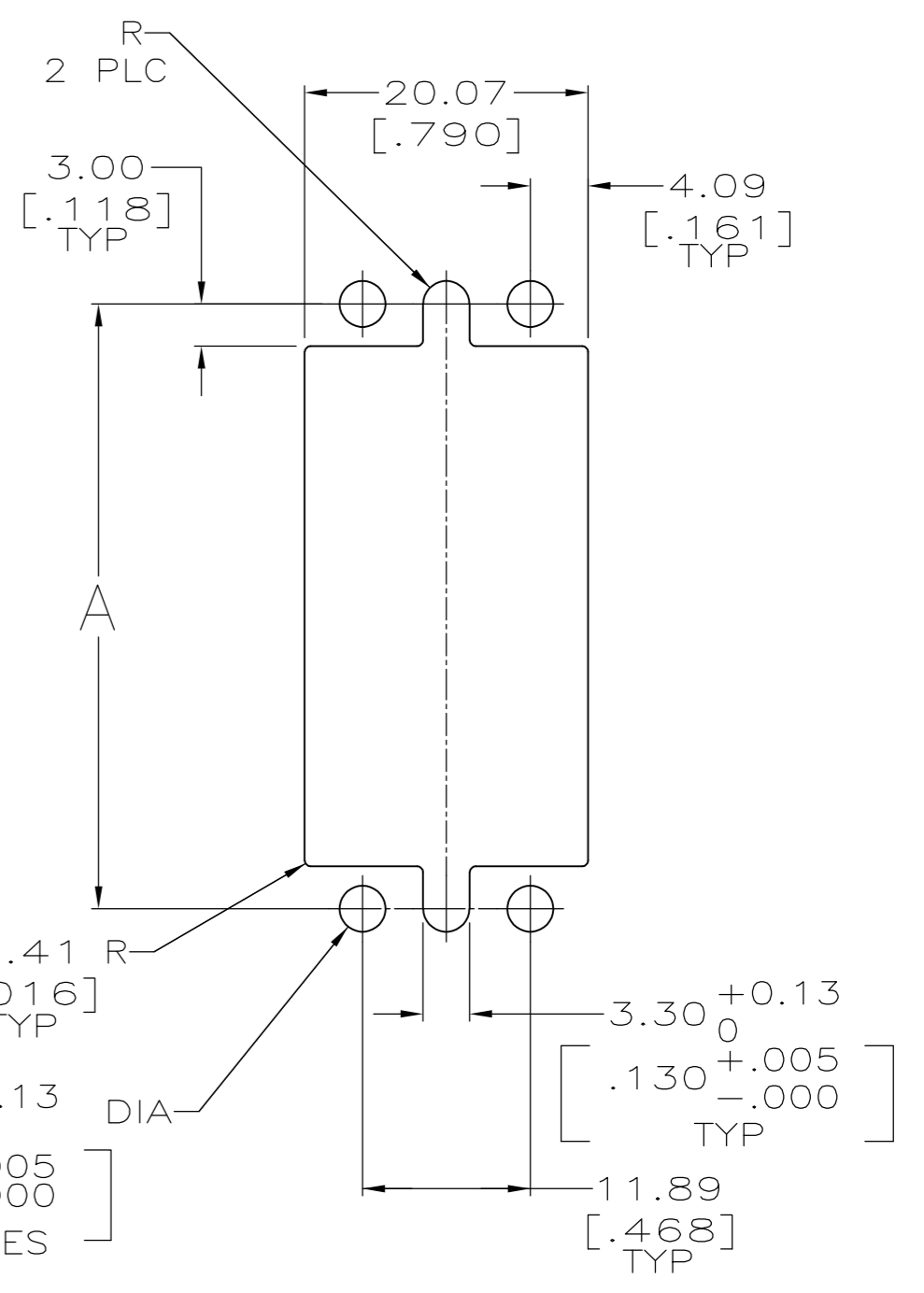
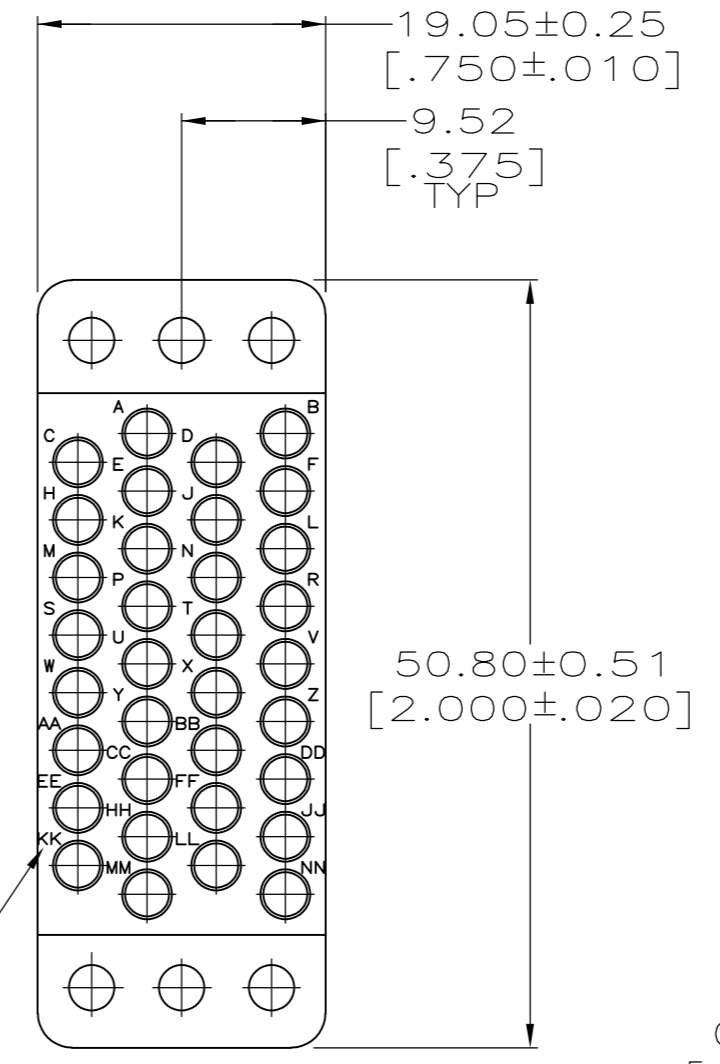
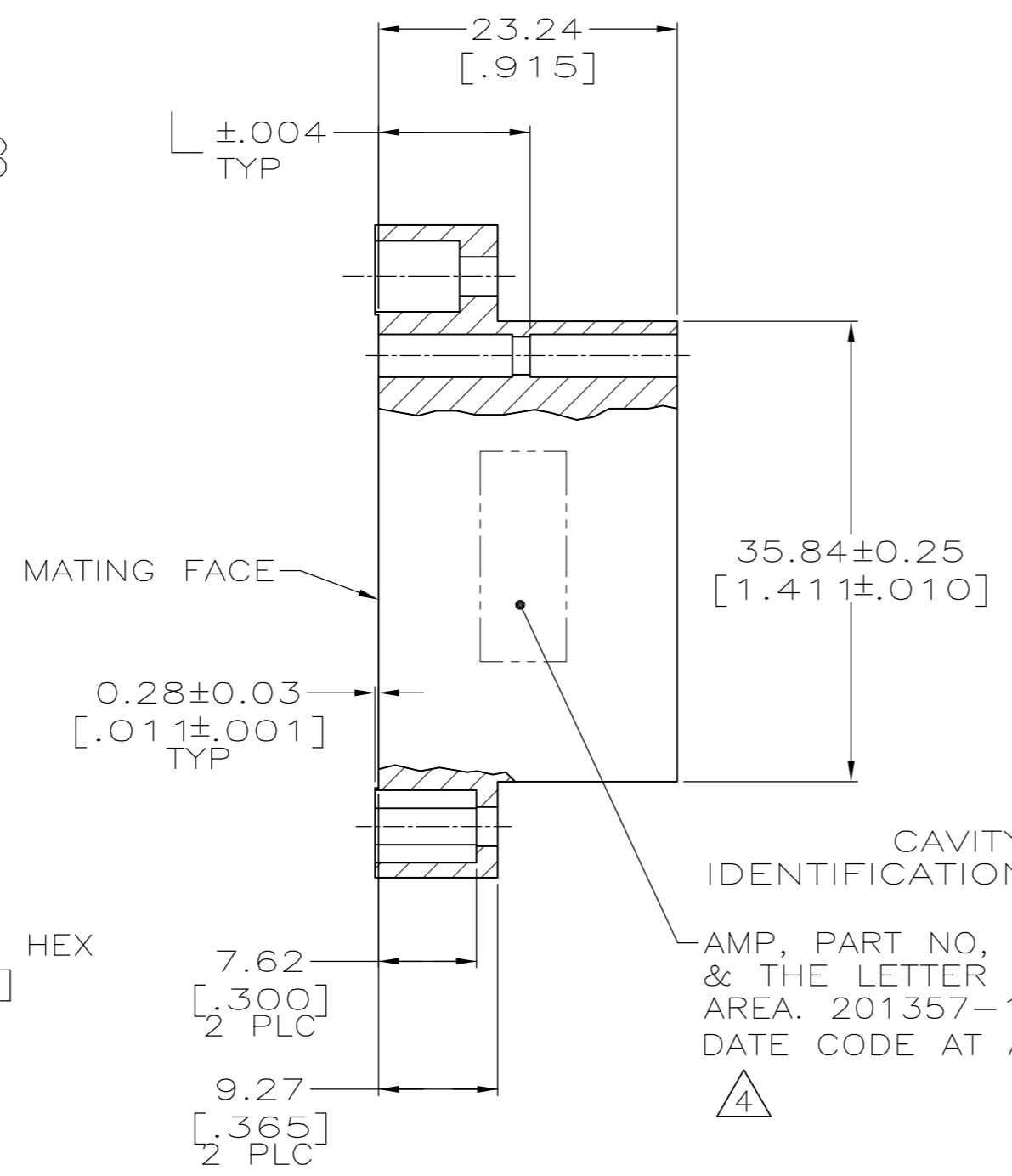
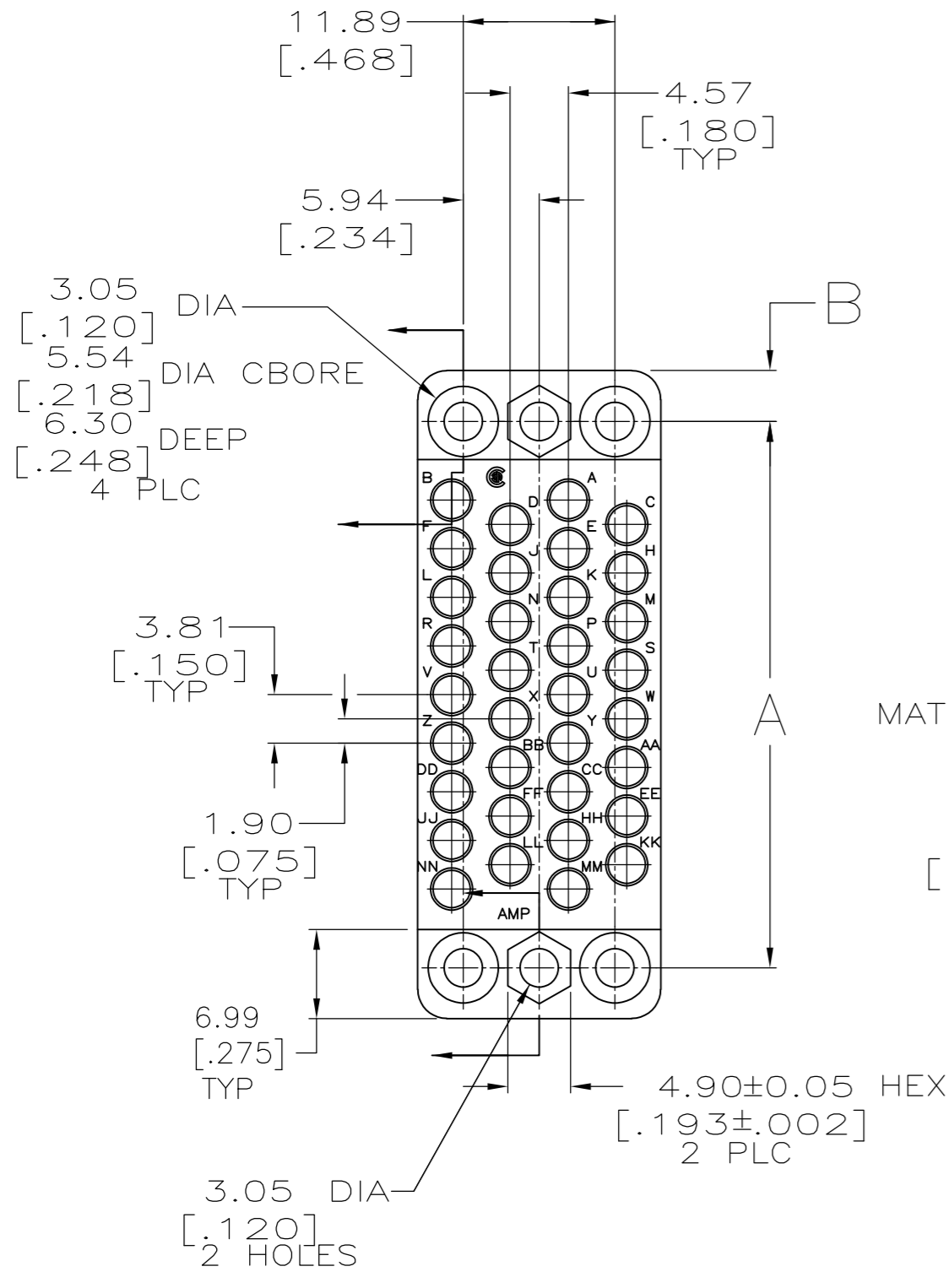
- [Email or Chat With Us](#)
- [Find a Phone Number](#)
- [Knowledge Base](#)
- [Manage Your Account](#)

Keep Me Informed



THIS DRAWING IS UNPUBLISHED. RELEASED FOR PUBLICATION
 © COPYRIGHT - By - ALL RIGHTS RESERVED.

LOC		DIST		REVISIONS			
P	LTR	DESCRIPTION	DATE	DWN	APVD		
FT	0	T3	REVISED PER ECO-13-008672	30AUG2013	KH	DR	



RECOMMENDED PANEL CUTOUT

- 1 PHENOLIC, BLACK.
- 2 DIALLYL PHTHALATE, BLUE.
- 3 MATES WITH BLOCK 200838 & ACCOMMODATES TYPE II OR TYPE III #16 PIN OR SOCKET CONTACTS. EXCEPT FOR 201357-1, WHICH ACCEPTS ONLY PIN CONTACTS.
- 4 FOR 201357-9, KS 21303 L9 MARKED IN ADDITION TO THE AMP PART NO.

14.07 [.554]	3.99 [.157]	42.82 [1.686]	1	1-201357-1
14.07 [.554]	3.99 [.157]	42.82 [1.686]	1	1-201357-0
14.07 [.554]	3.86 [.152]	43.08 [1.696]	2	201357-9
14.07 [.554]	3.86 [.152]	43.08 [1.696]	2	201357-3
11.79 [.464]	3.99 [.157]	42.82 [1.686]	1	201357-1
L	B	A	MATERIAL	PART NUMBER

OBSOLETE

THIS DRAWING IS A CONTROLLED DOCUMENT.		DWN 01/31/92	STE TE Connectivity	
DIMENSIONS: mm [INCHES]		L.SIPE 2-4-92		
TOLERANCES UNLESS OTHERWISE SPECIFIED:		CHK R.STONE	NAME	
0 PLC ± -		APVD -	PRODUCT SPEC	
1 PLC ± -		APPLICATION SPEC	-	
2 PLC ± 0.13 [.005]		WEIGHT -	SIZE CAGE CODE DRAWING NO	
3 PLC ± -		CUSTOMER DRAWING	A2 00779 C=201357	
4 PLC ± -		SCALE 2:1	SHEET 1 of 1	
ANGLES ± -		REV T3		
FINISH -				