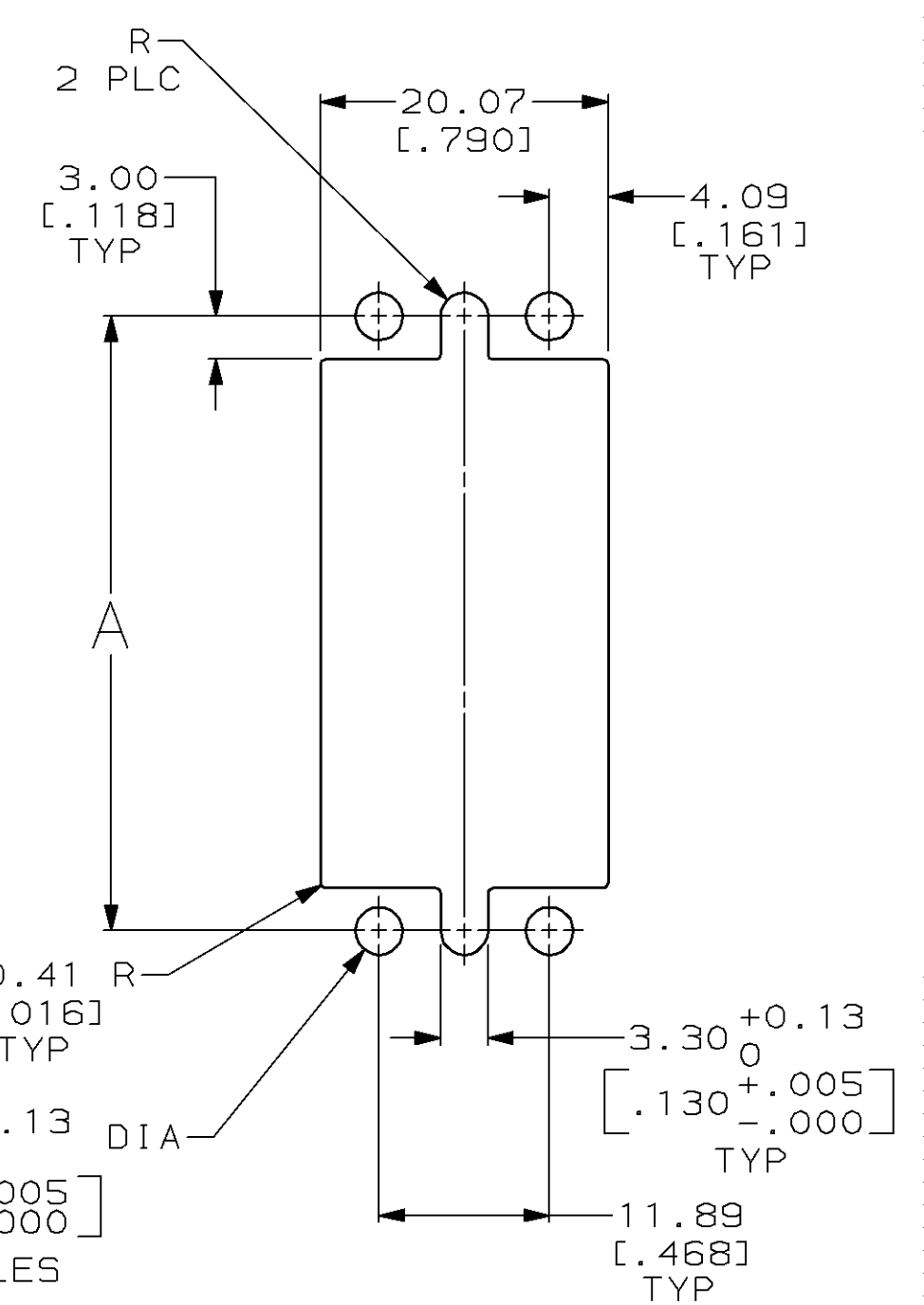
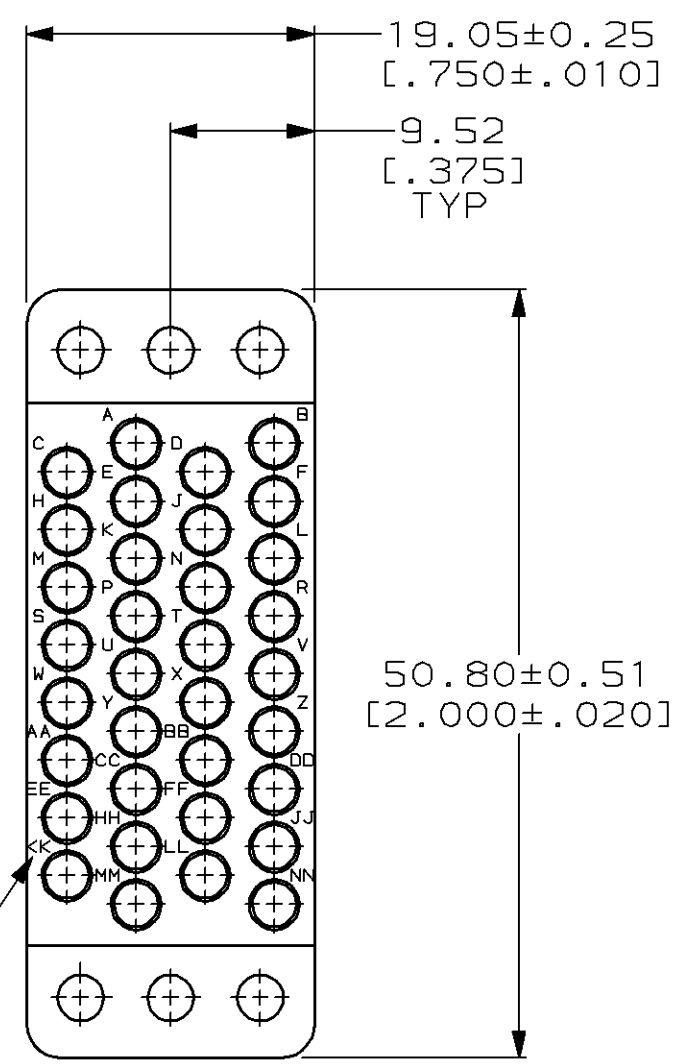
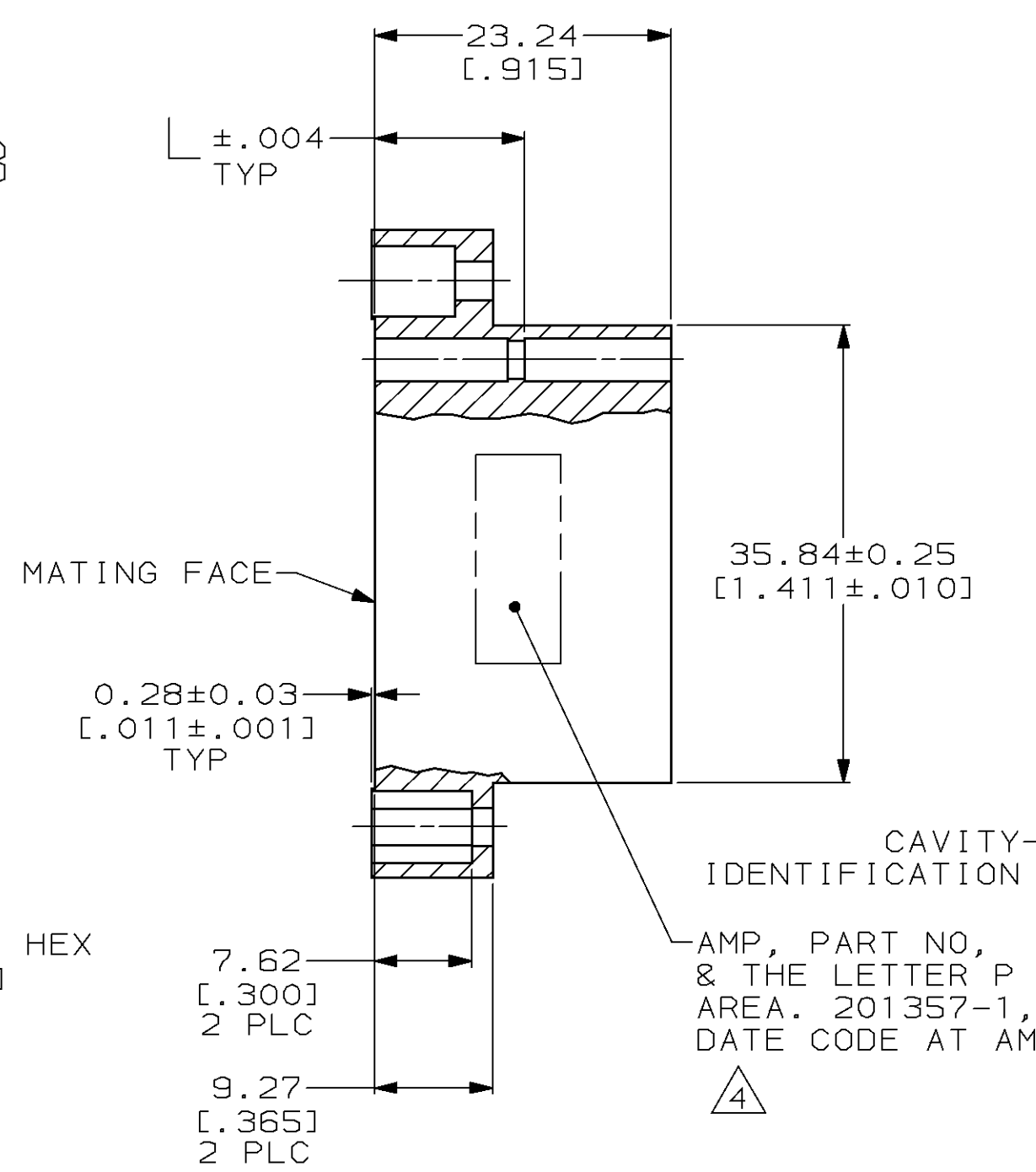
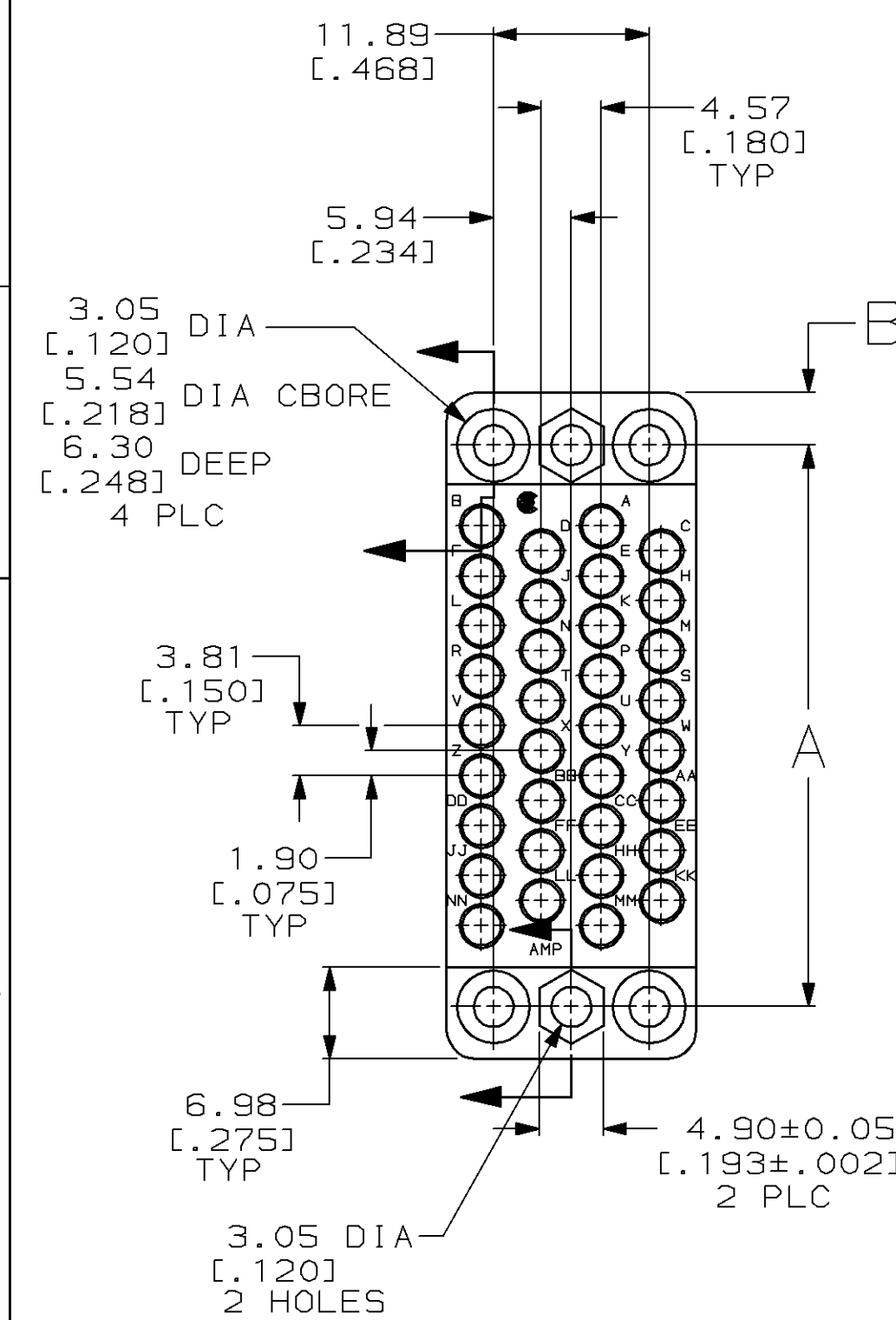


LOC	DIST	P	F	REVISIONS				
				ZONE	LTR	DESCRIPTION	DATE	APPD
FT	8			R		REDRAWN & ADDED 1-1 PER NPR 3939	01/31/92	-
				S		REV PER EC 0320-82-97	14 AUG 97	GS



AMP, PART NO, & THE LETTER P IN THIS AREA. 201357-1, -3, -9 & 1-1 ONLY. DATE CODE AT AMP'S OPTION

RECOMMENDED PANEL CUTOUT

- 1 PHENOLIC, BLACK.
- 2 DIALLYL PHTHALATE, BLUE.
- 3. MATES WITH BLOCK 200838 & ACCOMMODATES TYPE II OR TYPE III #16 PIN OR SOCKET CONTACTS.
- 4 FOR 201357-9, KS 21303 L9 INK STAMPED IN ADDITION TO THE AMP PART NO.

14.07 [.554]	3.99 [.157]	42.82 [1.686]	1	1-201357-1
14.07 [.554]	3.99 [.157]	42.82 [1.686]	1	1-201357-0
14.07 [.554]	3.86 [.152]	43.08 [1.696]	2	201357-9
14.07 [.554]	3.86 [.152]	43.08 [1.696]	2	201357-3
11.79 [.464]	3.99 [.157]	42.82 [1.686]	1	201357-1

	L	B	A	MATERIAL	PART NO	
DO NOT SCALE PRINT. UNLESS SPECIFIED DIMENSIONS IN mm [INCHES] TOLERANCES ON : 2 PLC DEC ± 0.13 [.005] 3 PLC DEC ± - ANGLES ± -						
MATERIAL	SEE TABLE					
FINISH	-					
DR 01/31/92 L.SIPE CHK 2-4-92 R.STONE APPD 3-4-92 R.KLINE APPD 3-4-92 C.ROHDE PRODUCT SPEC APPLICATION SPEC WEIGHT -						
AMP Incorporated Harrisburg, PA 17105-3608 NAME 34 POSITION MINIATURE RECTANGULAR MALE BLOCK, M SERIES				SIZE	CAGE CODE	DRAWING NO
				C	00779	201357
				SCALE	SHEET	
				2:1	1 OF 1	