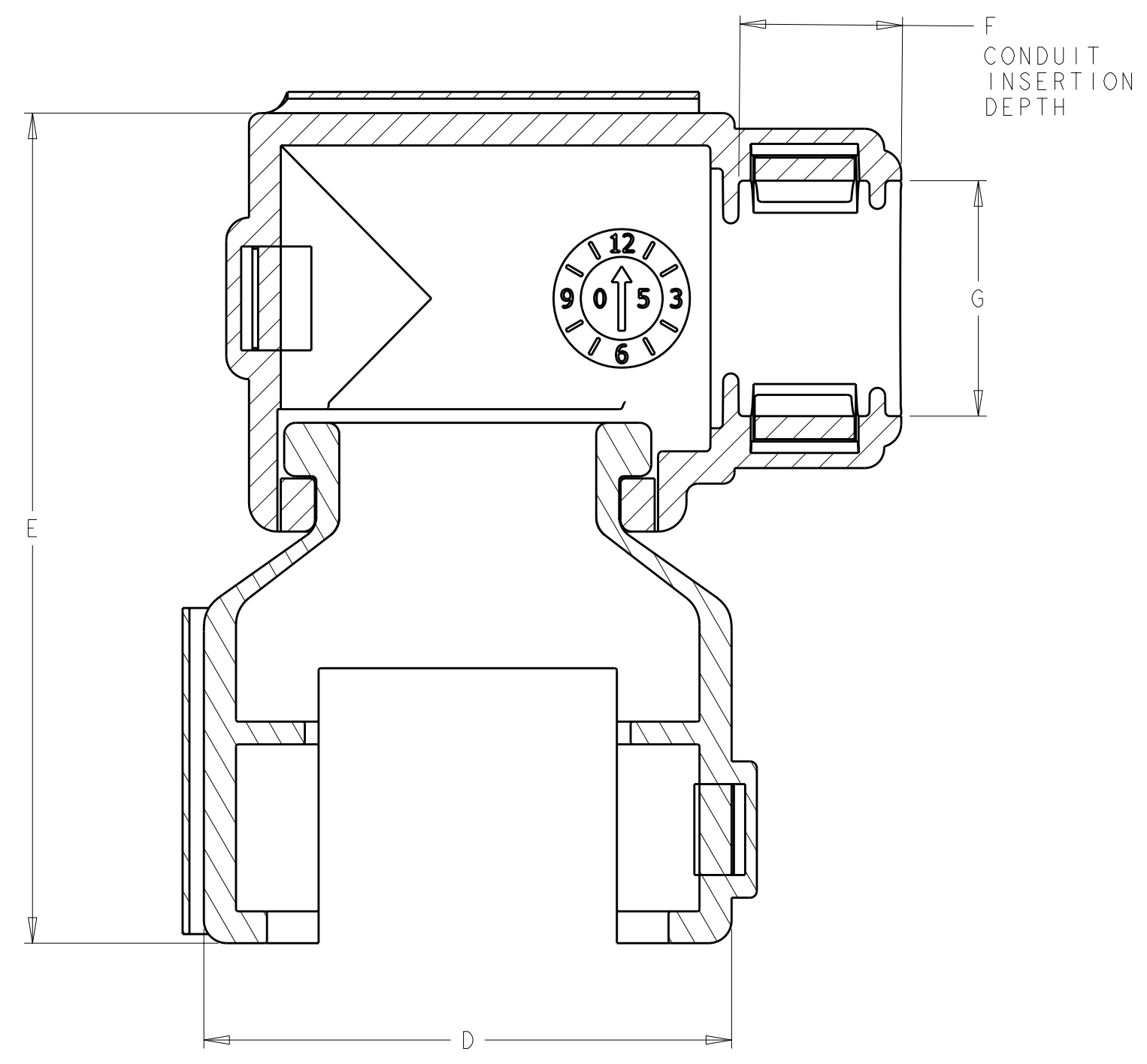
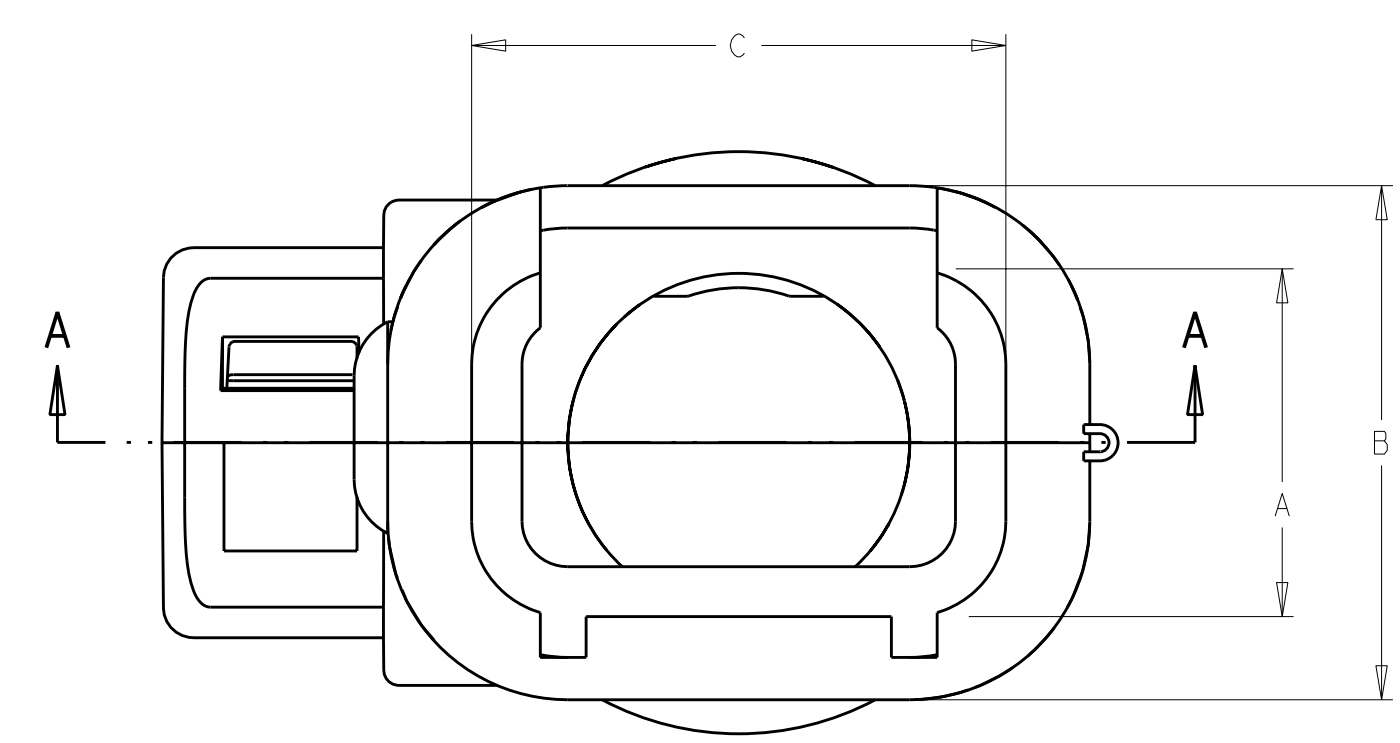
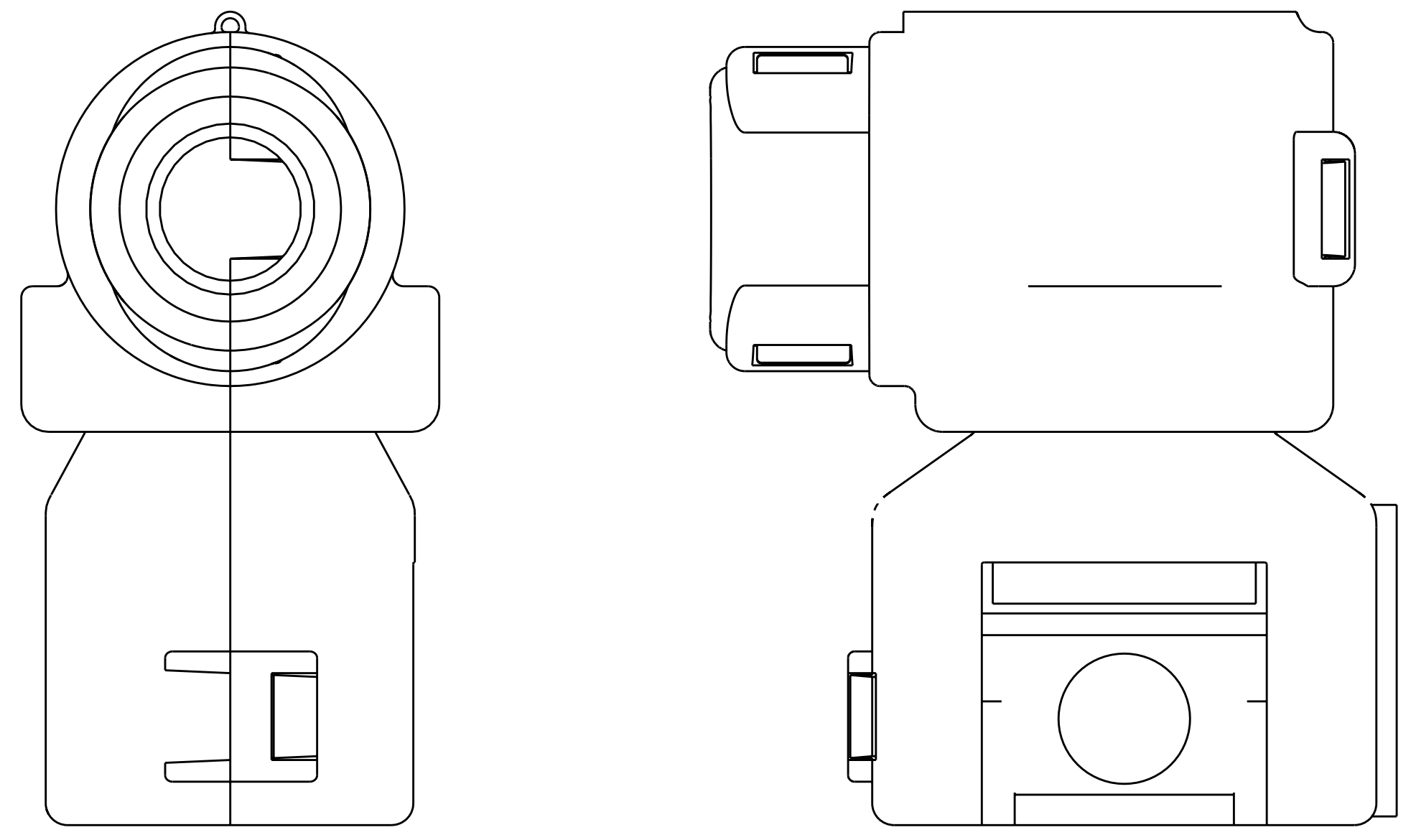
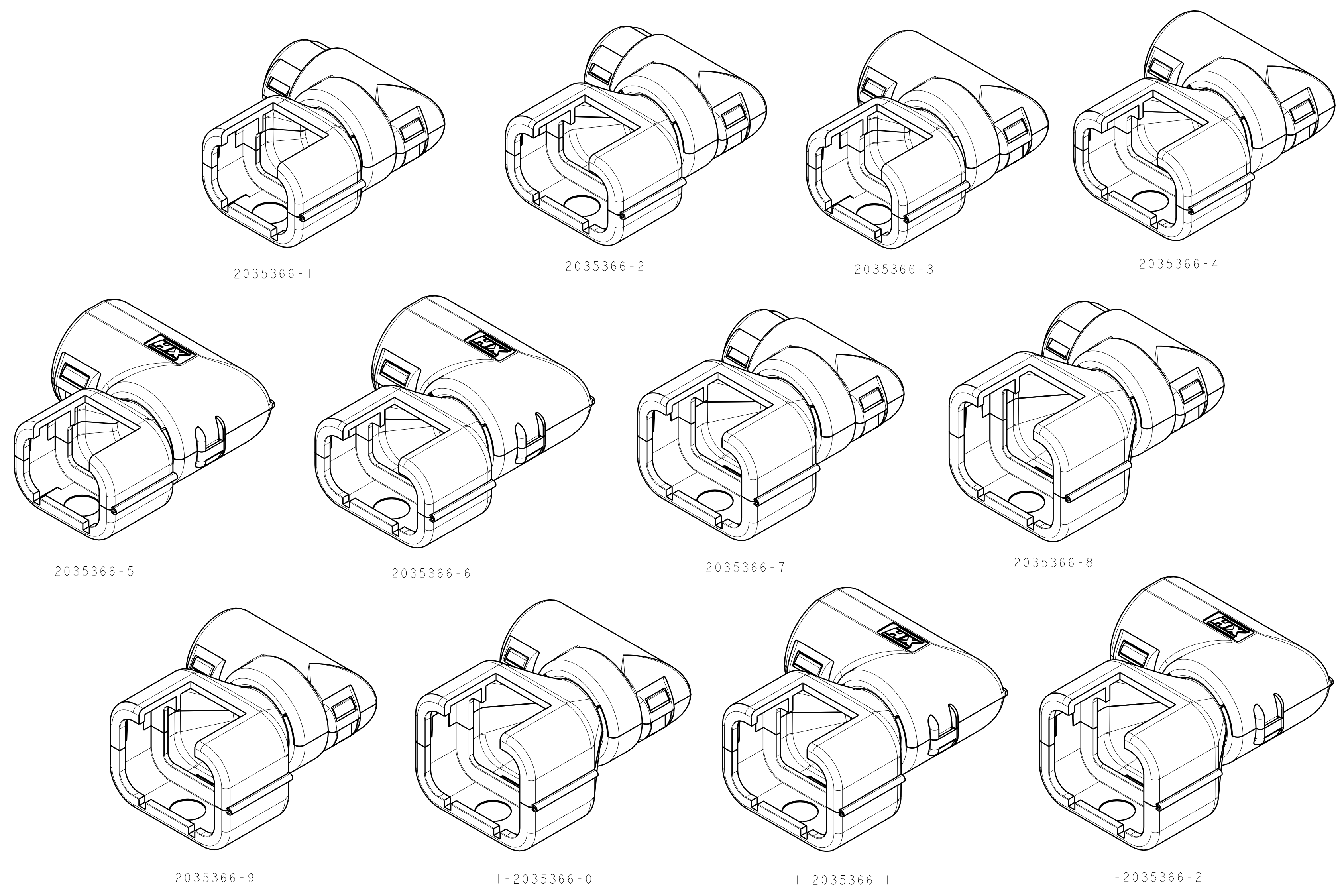


LOC	DIST	REVISIONS			
P	LTN	DESCRIPTION	DATE	DWN	APVD
A		PRELIMINARY RELEASE	08AUG08	JM	JM
B		REDRAWN AND ADD -5 THRU 1--2	27JUL09	RW	RB
B1		RELEASED PER ECO-09-017979	03AUG2009	DD	RB



SECTION A-A



1. ELBOW DESIGN ALLOWS FOR 360° EXIT ROTATION

G	F	E	D	C	B	A	NW CONDUIT SIZE	NC CONDUIT SIZE	CONNECTOR POSITIONS	TYCO ELECTRONICS PART NO.
16.5	10.6	45.8	27.7	22.2	22.5	17.0	13	16	6	1-2035366-2
16.5	10.6	43.8	27.7	22.2	20.6	15.1	13	16	4	1-2035366-1
13.5	7.2	42.1	27.7	22.2	22.5	17.0	10	12	6	1-2035366-0
13.5	7.2	40.1	27.7	22.2	20.6	15.1	10	12	4	2035366-9
10.4	7.2	42.1	27.7	22.2	22.5	17.0	7.5	08	6	2035366-8
10.4	7.2	40.1	27.7	22.2	20.6	15.1	7.5	08	4	2035366-7
16.5	10.6	42.7	27.3	21.6	17.1	11.6	13	16	3	2035366-6
16.5	10.6	40.2	23.2	17.5	17.0	11.6	13	16	2	2035366-5
13.5	7.2	39.0	27.3	21.6	17.1	11.6	10	12	3	2035366-4
13.5	7.2	36.5	23.2	17.5	17.0	11.6	10	12	2	2035366-3
10.4	7.2	39.0	27.3	21.6	17.1	11.6	7.5	08	3	2035366-2
10.4	7.2	36.5	23.2	17.5	17.0	11.6	7.5	08	2	2035366-1

DIMENSIONS: mm 		TOLERANCES UNLESS OTHERWISE SPECIFIED: 9 PLC ±0.5 5 PLC ±0.5 4 PLC ±0.5 ANGLES ±1° FINISH -		DWN: 27 JUL 2009 CHK: RUSTY WORTHINGTON APVD: ROGER BALTER PRODUCT SPEC: - APPLICATION SPEC: - WEIGHT: - CUSTOMER DRAWING: -		Tyco Electronics Harrisburg, PA 17105-3608	
MATERIAL: NYLON 6/6, BLACK		NAME: BACKSHELL, RIGHT-ANGLE, LOW PROFILE PLUG CONNECTOR, NW/NC CONDUIT AMPSEAL 16		SIZE: A100779C=2035366		RESTRICTED TO: -	