

Introducing Industrial Mini I/O Connector System

Industrial Mini I/O Connector System



Our commitment. Your advantage.

KEY FEATURES

- Two points on contact interface
- Small compact size
- Latching feature
- Polarized

DESCRIPTIONS

The Industrial Mini I/O connector system is a small, compact, latching, wire-to-board I/O interface is suitable for the stringent demands of an industrial device. It is one quarter the size of a conventional RJ45 plug and is designed with two points of contact for increased reliability in high vibration environments. It is polarized with two options available to prevent mis-mating. It is also available in both SMT and through hole configurations. The unique latching system protects the plug from pull out during high vibration and accidental bumping. The system is most commonly used as an RJ45 replacement. It consists of 8 individual circuits that accommodate I/O signals.

APPLICATIONS

Industrial controls

Motion control

PLC's

Robotics

ELECTRICAL

8 position

30V rated

Wire-to-board

Current rating: 0.5 AMPS

.635 mm pitch

MECHANICAL

Operating temperature: -40°C to 70°C

Cable diameter: 6.7 mm Max

Wire size: 22 AWG Max

Durability: 1500 cycles

Cable retention force: 98N (10kg)

STANDARDS AND SPECIFICATION

Meets Cat5e requirements when used in an Ethernet application

Product specification: 108-7805

Application specification: 114-5431

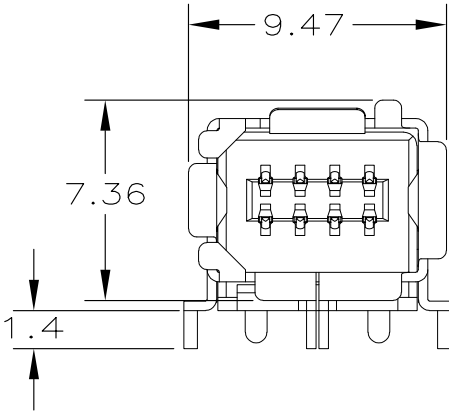


Industrial Mini I/O Connector System

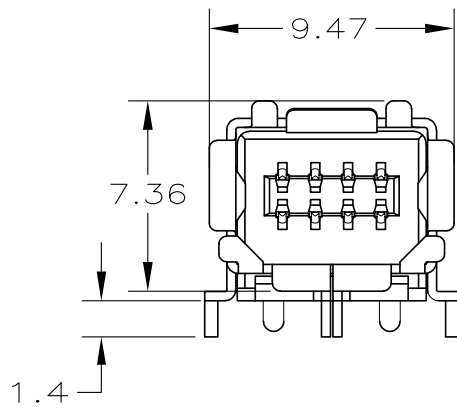
PRODUCT DIMENSIONS

Part Number	Type	Description
1-2040537-1	Header Assembly	Mini I/O Header Thru-Hole Assembly Type II, Tray Pack
1981080-1	Header Assembly	Mini I/O Header Smt Assembly Type I, Tray Pack
1981386-1	Header Assembly	Mini I/O Header Smt Assembly Type II, Tray Pack
2040537-1	Header Assembly	Mini I/O Header Thru-Hole Assembly Type I, Tray Pack
2069552-1	Header Assembly	Mini I/O Header Smt Assembly Type I, Tape And Reel
2013595-1	Plug Kit	Mini I/O Plug Kit Type I, Black Latch
2013595-2	Plug Kit	Mini I/O Plug Kit Type I, White Latch
2013595-3	Plug Kit	Mini I/O Plug Kit Type I, Gray Cover
2040008-1	Plug Kit	Mini I/O Plug Kit Type II, Black Latch
2040008-2	Plug Kit	Mini I/O Plug Kit Type II, White Latch
2069577-1	Plug Connector Kit	Mini I/O Plug Kit Type I, Black Latch, 100 Pc Bulk Pack
2069577-2	Plug Connector Kit	Mini I/O Plug Kit Type I, White Latch, 100 Pc Bulk Pack
2069577-3	Plug Connector Kit	Mini I/O Plug Kit Type I, Gray Cover, 100 Pc Bulk Pack
2069578-1	Plug Connector Kit	Mini I/O Plug Kit Type II, Black Latch, 100 Pc Bulk Pack
2069578-2	Plug Connector Kit	Mini I/O Plug Kit Type II, White Latch, 100 Pc Bulk Pack

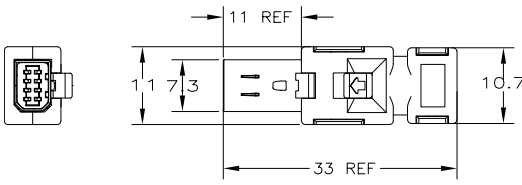
Receptacle Type I



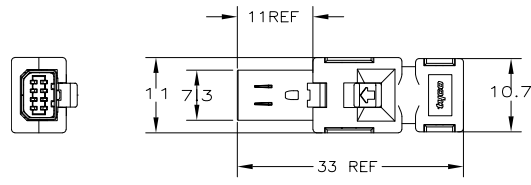
Receptacle Type II



Plug Type I



Plug Type II



FOR MORE INFORMATION

www.tycoelectronics.com

Technical Support

Internet:	www.tycoelectronics.com/help
USA:	+1 (800) 522-6752
Canada:	+1 (905) 470-4425
Mexico & Central America:	+ 52 (0) 55-1106-0814
South America:	+55 (0) 11-2103-6000
Germany:	+49 (0) 6251-133-1999
UK:	+ 44 (0) 8706-080208
France:	+33 (0) 1-3420-8686
Netherlands:	+31 (0) 73-6246-999
China:	+86 (0) 400-820-6015

Tyco Electronics
Harrisburg, PA

tycoelectronics.com

© 2010 Tyco Electronics Corporation. All Rights Reserved.

3-1773457-4 3M MS-FP 4/2010

TE logo and Tyco Electronics are trademarks.

While Tyco Electronics has made every reasonable effort to ensure the accuracy of the information in this catalog, Tyco Electronics does not guarantee that it is error-free, nor does Tyco Electronics make any other representation, warranty or guarantee that the information is accurate, correct, reliable or current. Tyco Electronics reserves the right to make any adjustments to the information contained herein at any time without notice. Tyco Electronics expressly disclaims all implied warranties regarding the information contained herein, including, but not limited to, any implied warranties of merchantability or fitness for a particular purpose. The dimensions in this catalog are for reference purposes only and are subject to change without notice. Specifications are subject to change without notice. Consult Tyco Electronics for the latest dimensions and design specifications.

 **Tyco Electronics**
Our commitment. Your advantage.