

Distributed by:

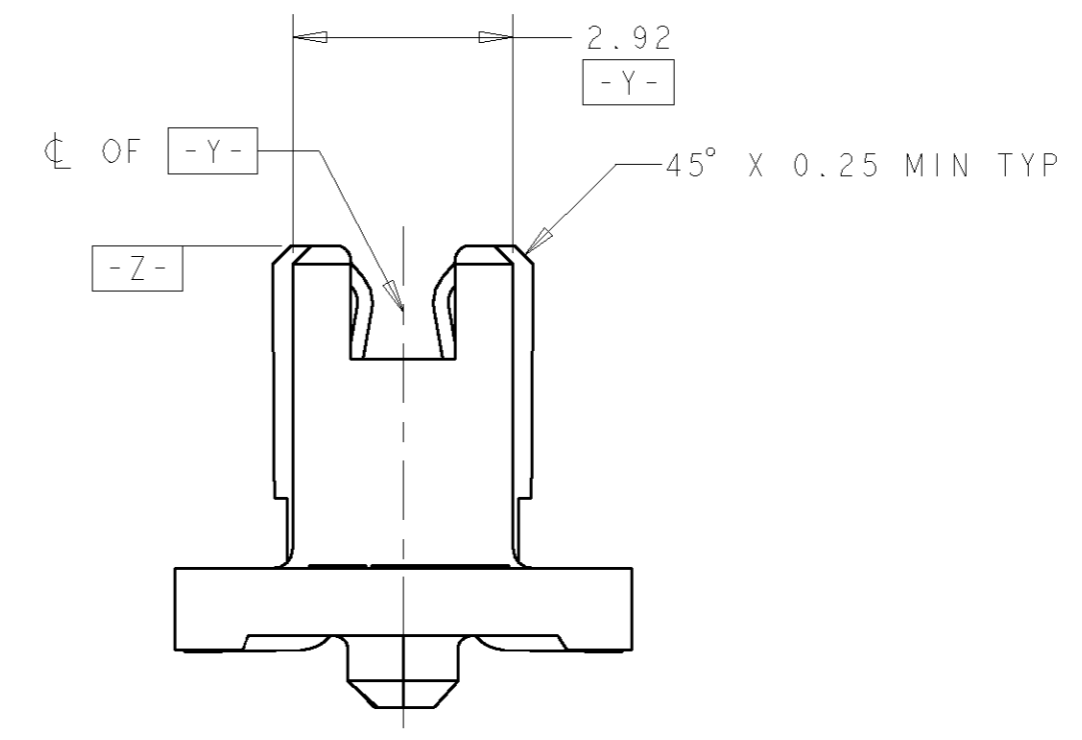
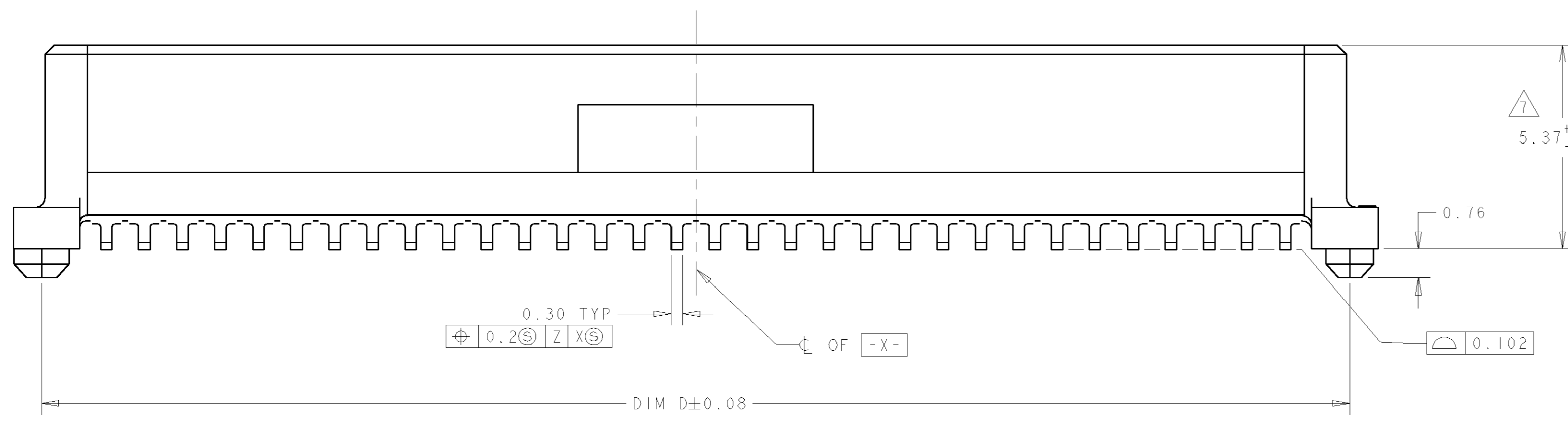
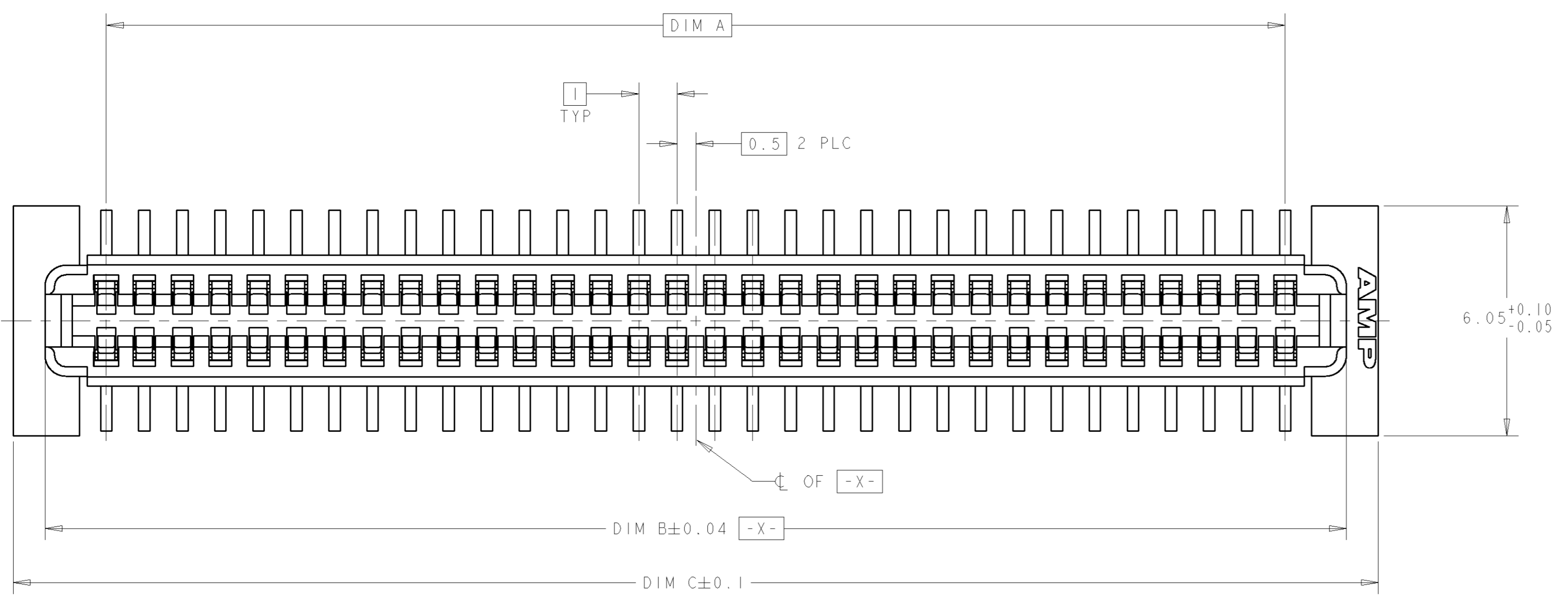
JAMECO[®]
ELECTRONICS

www.Jameco.com ♦ 1-800-831-4242

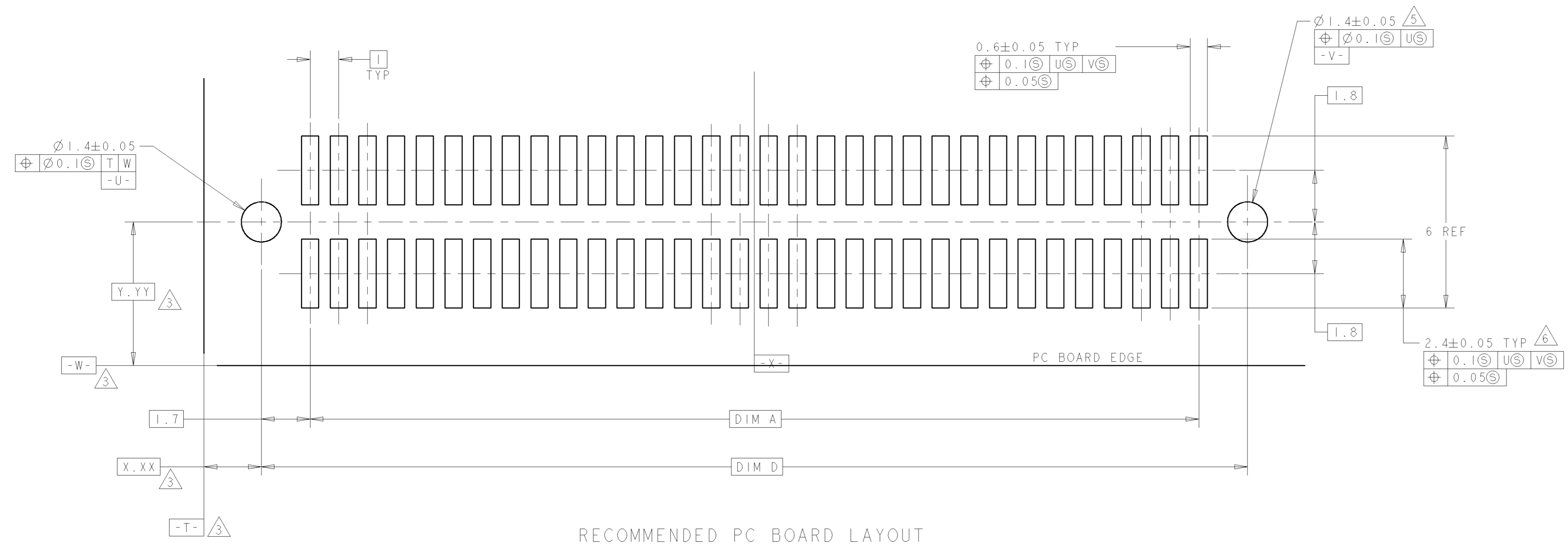
The content and copyrights of the attached
material are the property of its owner.

Jameco Part Number 896986

| LOC | | DIST | | REVISIONS | | | |
|-----|-----|-----------------------------|-----------|-----------|------|--|--|
| P | LTR | DESCRIPTION | DATE | DWN | APVD | | |
| G | | REVISED PER EC 0S12-0417-03 | 04FEB2004 | RWS | RHW | | |
| H | | REVISED PER EC 0S12-0230-03 | 10FEB2004 | RWS | RHW | | |



- 1. HOUSING MATERIAL: HIGH TEMPERATURE THERMOPLASTIC, COLOR; BLACK. CONTACT MATERIAL: PHOSPHOR BRONZE.
- 2. CONTACT FINISH: 0.00381 MINIMUM MATTE TIN-LEAD (93-7) ON SOLDER AREA; 0.00076 MINIMUM GOLD ON MATING AREA, BOTH OVER 0.00127 MINIMUM NICKEL ON ENTIRE CONTACT.
- 3. DATUM LOCATIONS AND BASIC DIMENSIONS TO BE ESTABLISHED BY THE CUSTOMER. CONSULT AMP ENGINEERING WHEN PLACING MULTIPLE CONNECTORS ON A PC BOARD.
- 4. PACKAGED IN TAPE ON REEL PER EIA-481.
- 5. 1.5±0.05 DIAMETER HOLE SHOULD BE USED IF PLACED ON PCB WITH VACUUM PLACEMENT EQUIPMENT.
- 6. SHORTER SOLDER LANDS MAY BE USED PER EIA 700AAA, HOWEVER 2.4 LENGTH ASSURES OPTIMUM SOLDER FILLET REGARDLESS OF MANUFACTURER OF CONNECTOR.
- 7. REFERRED TO AS DIM H = 5.30±0.1 IN EIA700AAA SPECIFICATION.
- 8. CONTACT FINISH: 0.00381 MINIMUM MATTE TIN-LEAD (93-7) ON SOLDER AREA; 0.00127 MINIMUM GOLD ON MATING AREA, BOTH OVER 0.00127 MINIMUM NICKEL ON ENTIRE CONTACT.



RECOMMENDED PC BOARD LAYOUT

| FINISH | DIM D | DIM C | DIM B | DIM A | MATING CONNECTOR | STACK HGTS | POS | PART NO |
|--------|-------|-------|-------|-------|------------------|------------|-----|------------|
| 8 | 44.4 | 45.9 | 44.22 | 41 | 120527-2 | 10 | 84 | 1-120521-2 |
| 8 | 44.4 | 45.9 | 44.22 | 41 | 120526-2 | 9 | 84 | 1-120521-2 |
| 8 | 44.4 | 45.9 | 44.22 | 41 | 120525-2 | 8 | 84 | 1-120521-2 |
| 8 | 34.4 | 35.9 | 34.22 | 31 | 120527-1 | 10 | 64 | 1-120521-1 |
| 8 | 34.4 | 35.9 | 34.22 | 31 | 120526-1 | 9 | 64 | 1-120521-1 |
| 8 | 34.4 | 35.9 | 34.22 | 31 | 120525-1 | 8 | 64 | 1-120521-1 |
| 2 | 44.4 | 45.9 | 44.22 | 41 | 120527-2 | 10 | 84 | 120521-2 |
| 2 | 44.4 | 45.9 | 44.22 | 41 | 120526-2 | 9 | 84 | 120521-2 |
| 2 | 44.4 | 45.9 | 44.22 | 41 | 120525-2 | 8 | 84 | 120521-2 |
| 2 | 34.4 | 35.9 | 34.22 | 31 | 120527-1 | 10 | 64 | 120521-1 |
| 2 | 34.4 | 35.9 | 34.22 | 31 | 120526-1 | 9 | 64 | 120521-1 |
| 2 | 34.4 | 35.9 | 34.22 | 31 | 120525-1 | 8 | 64 | 120521-1 |

| | | | | | |
|---|--|---|--|---|--|
| DIMENSIONS: mm TOLERANCES UNLESS OTHERWISE SPECIFIED: 9 PLC ± 2 PLC ±0.03 3 PLC ±0.003 4 PLC ± ANGLES 40°-1° MATERIAL FINISH SEE TABLE | | DWN J. REED 271779T CDR L. VO 271779T APVD - PRODUCT SPEC 502-1079 APPLICATION SPEC 114-25045 WEIGHT - CUSTOMER DRAWING | | AMP Tyco Electronics Harrisburg, PA 17105-3608 RECEPTACLE ASSY, 1.0mm FH(IEEE1386) CONNECTOR SIZE CAGE CODE DRAWING NO RESTRICTED TO A1 00779 C=120521 - SCALE 10:1 SHEET 1 OF 1 REV H | |
|---|--|---|--|---|--|