

Distributed by:

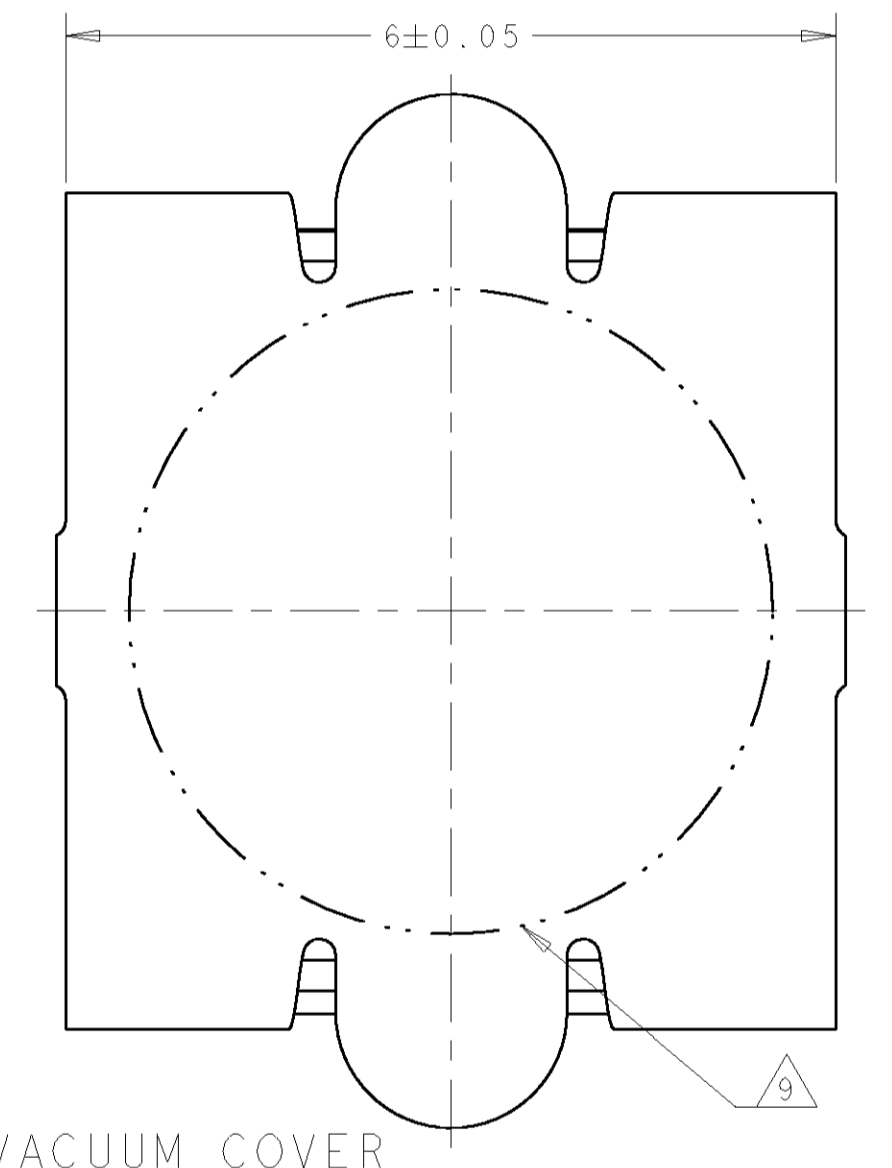
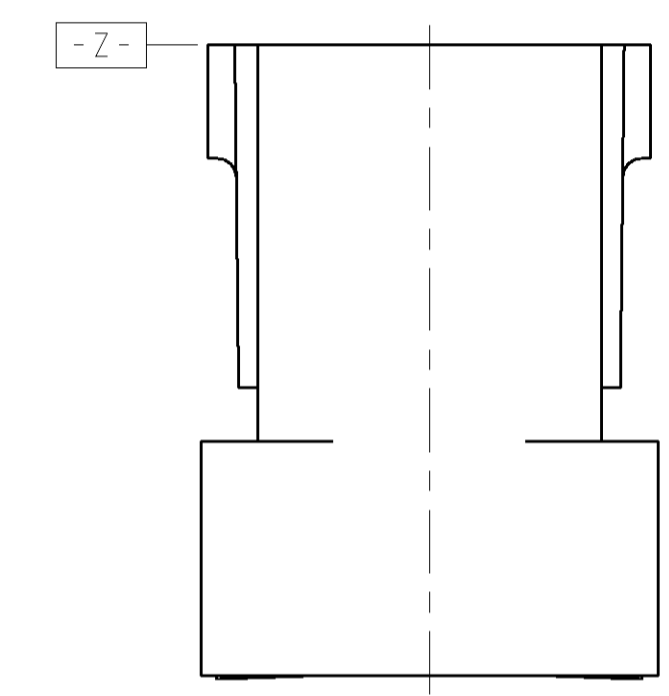
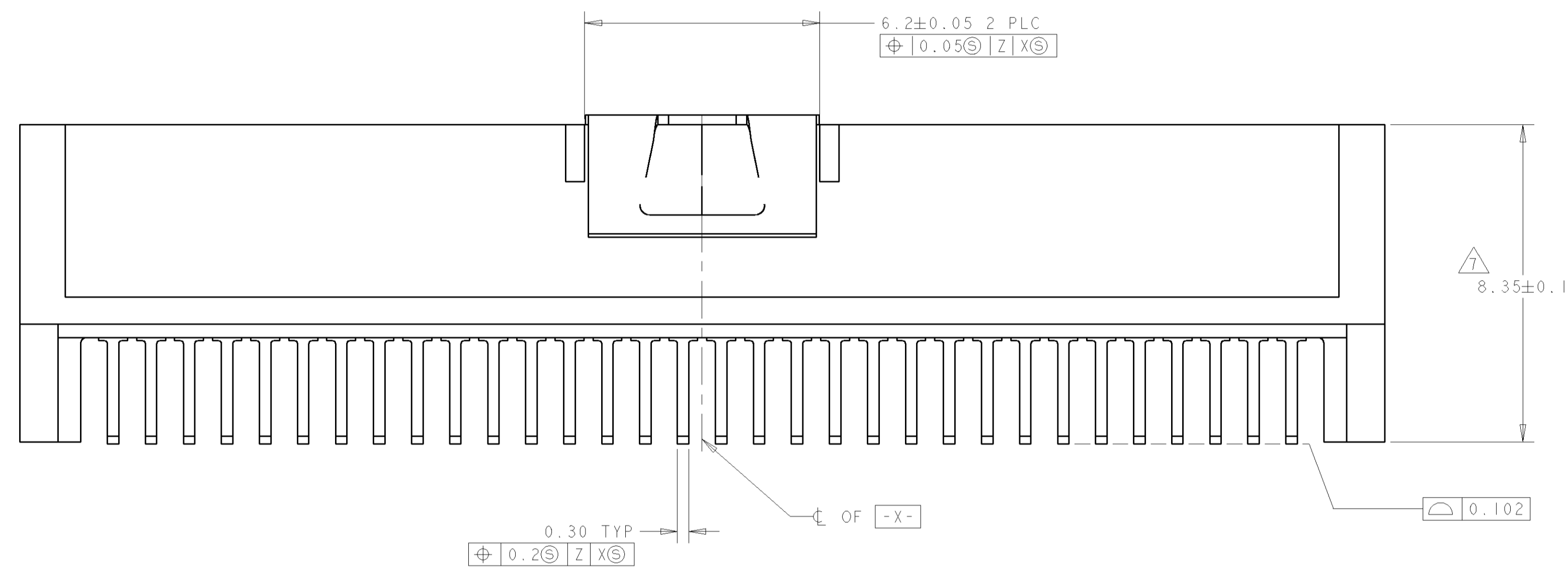
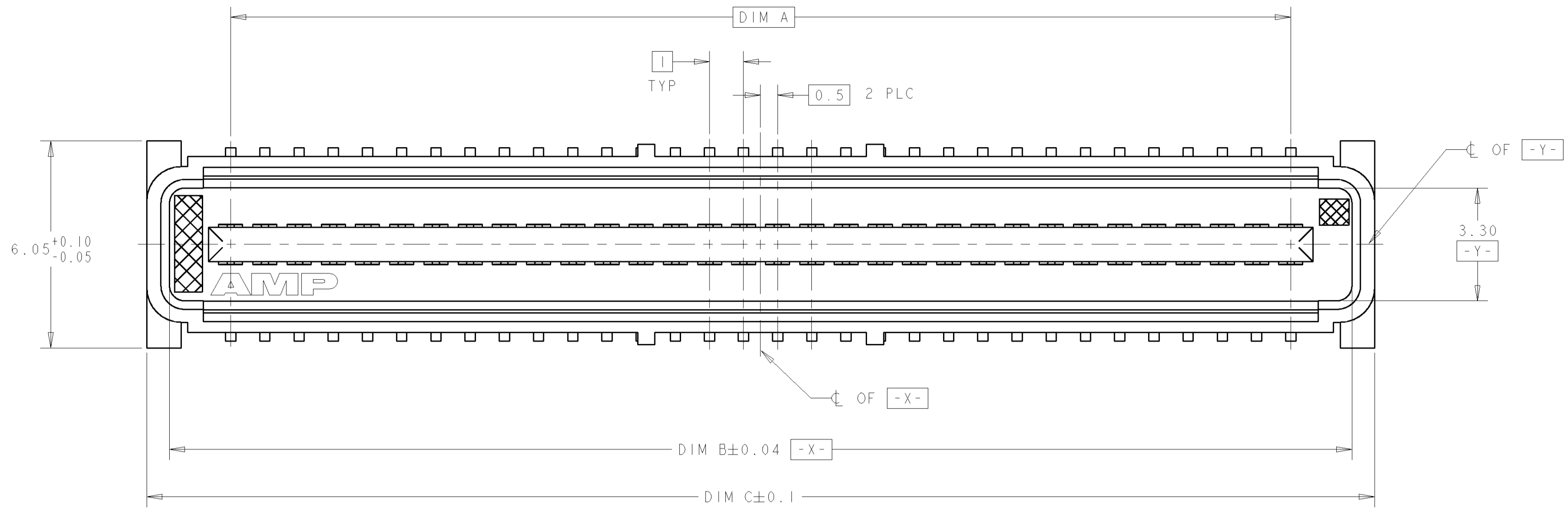
JAMECO[®]
ELECTRONICS

www.Jameco.com ♦ 1-800-831-4242

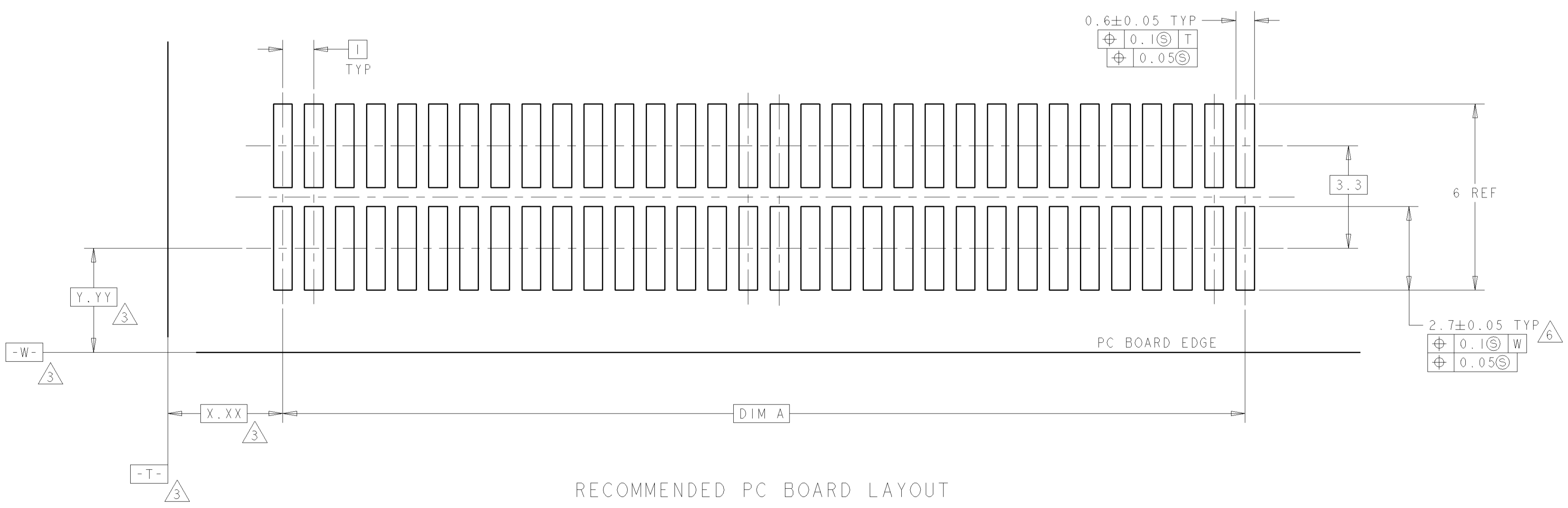
The content and copyrights of the attached
material are the property of its owner.

Jameco Part Number 897145

| LOC | DIST | REVISIONS | | | |
|-----|------|-----------------------------|-----------|-----|------|
| F | LTR | DESCRIPTION | DATE | DWN | APPD |
| G | | REVISED PER EC 0512-0417-03 | 04FEB2004 | RWS | RHW |
| H | | REV PER EC 0512-0552-04 | 07OCT2005 | BC | RW |



VACUUM COVER



RECOMMENDED PC BOARD LAYOUT

- 1 HOUSING MATERIAL: LIQUID CRYSTAL POLYMER COLOR: BLACK. CONTACT MATERIAL: PHOSPHOR BRONZE.
- 2 CONTACT FINISH: 0.00381 MINIMUM MATTE TIN-LEAD (93-7) ON SOLDER AREA, 0.00076 MINIMUM GOLD ON MATING AREA, BOTH OVER 0.00127 MINIMUM NICKEL ON ENTIRE CONTACT.
- 3 DATUM LOCATIONS AND BASIC DIMENSIONS TO BE ESTABLISHED BY THE CUSTOMER. CONSULT AMP ENGINEERING WHEN PLACING MULTIPLE CONNECTORS ON A PC BOARD.
- 4 PACKAGED IN TAPE ON REEL PER EIA-481.
- 5 VACUUM COVER DESIGNED FOR 4mm DIA. NOZZLE. VACUUM COVER TO BE REMOVED AFTER SOLDERING. VACUUM COVER REMOVED FROM SOME VIEWS FOR DIMENSIONAL CLARITY.
- 6 SHORTER SOLDER LANDS MAY BE USED PER EIA 700AAAB, HOWEVER 2.7 LENGTH ASSURES OPTIMUM SOLDER FILLET REGARDLESS OF MANUFACTURER OF CONNECTOR.
- 7 REFERRED TO AS DIM N IN EIA 700AAAB SPECIFICATION.
- 8 CORRUGATED REEL, HOLDS 400 CONNECTORS PER REEL 330.2[13.00] DIA REEL; 88.9[3.50] REEL CORE. PLASTIC REEL, HOLDS 250 CONNECTORS PER REEL 330.2[13.00] DIA REEL; 177.8[7.00] REEL CORE.
- 9 5.5 MIN DIAMETER TARGET AREA FOR VACUUM PICK-UP.
- 10 CONTACT FINISH: 0.00381 MINIMUM MATTE TIN-LEAD (93-7) ON SOLDER AREA, 0.00127 MINIMUM GOLD ON MATING AREA, BOTH OVER 0.00127 MINIMUM NICKEL ON ENTIRE CONTACT.
- 11 OBSOLETE PART NUMBER.

| FINISH | REEL QTY | DIM C | DIM B | DIM A | MATING CONNECTOR | STACK HEIGHTS | POS | AMP PART NUMBER | | |
|--------|----------|-------|-------|-------|------------------|---------------|----------|-----------------|------------|----------|
| 10 | 8 | 400 | 45.9 | 44.58 | 41 | 120531-2 | 15 | 84 | 1-120534-2 | |
| 10 | 8 | 400 | 45.9 | 44.58 | 41 | 120530-2 | 13 | 84 | 1-120534-2 | |
| 10 | 8 | 400 | 45.9 | 44.58 | 41 | 120529-2 | 12 | 84 | 1-120534-2 | |
| 10 | 8 | 400 | 45.9 | 44.58 | 41 | 120528-2 | 10 | 84 | 1-120534-2 | |
| 10 | 8 | 400 | 35.9 | 34.58 | 31 | 120531-1 | 15 | 64 | 1-120534-1 | |
| 10 | 8 | 400 | 35.9 | 34.58 | 31 | 120530-1 | 13 | 64 | 1-120534-1 | |
| 10 | 8 | 400 | 35.9 | 34.58 | 31 | 120529-1 | 12 | 64 | 1-120534-1 | |
| 10 | 8 | 400 | 35.9 | 34.58 | 31 | 120528-1 | 10 | 64 | 1-120534-1 | |
| 11 | 2 | 8 | 250 | 35.9 | 34.58 | 31 | 120531-1 | 15 | 64 | 120534-3 |
| 11 | 2 | 8 | 250 | 35.9 | 34.58 | 31 | 120530-1 | 13 | 64 | 120534-3 |
| 11 | 2 | 8 | 250 | 35.9 | 34.58 | 31 | 120529-1 | 12 | 64 | 120534-3 |
| 11 | 2 | 8 | 250 | 35.9 | 34.58 | 31 | 120528-1 | 10 | 64 | 120534-3 |
| 2 | 2 | 8 | 400 | 45.9 | 44.58 | 41 | 120531-2 | 15 | 84 | 120534-2 |
| 2 | 2 | 8 | 400 | 45.9 | 44.58 | 41 | 120530-2 | 13 | 84 | 120534-2 |
| 2 | 2 | 8 | 400 | 45.9 | 44.58 | 41 | 120529-2 | 12 | 84 | 120534-2 |
| 2 | 2 | 8 | 400 | 45.9 | 44.58 | 41 | 120528-2 | 10 | 84 | 120534-2 |
| 2 | 2 | 8 | 400 | 35.9 | 34.58 | 31 | 120531-1 | 15 | 64 | 120534-1 |
| 2 | 2 | 8 | 400 | 35.9 | 34.58 | 31 | 120530-1 | 13 | 64 | 120534-1 |
| 2 | 2 | 8 | 400 | 35.9 | 34.58 | 31 | 120529-1 | 12 | 64 | 120534-1 |
| 2 | 2 | 8 | 400 | 35.9 | 34.58 | 31 | 120528-1 | 10 | 64 | 120534-1 |

| | | | |
|------------------------------------------------------------------------------------------------------------------------|--------------------------------------------------------------------------------|-----------------------------------------------------------------------------|----------------------------------------------------------------------------------------------------------------------------|
| THIS DRAWING IS UNPUBLISHED. RELEASED FOR PUBLICATION. .19 © COPYRIGHT 19 BY AMP INCORPORATED. ALL RIGHTS RESERVED. | | DWN J REED 27/19/97 CHK I VO 27/19/97 APPD - | AMP Incorporated Harrisburg, PA 17105-3608 |
| DIMENSIONS: mm 0 PLC ± 1 PLC ±0.03 5 PLC ±0.003 4 PLC ± ANGLES: 40° 30' | TOLERANCES UNLESS OTHERWISE SPECIFIED: ± ±0.03 ±0.003 ± 40° 30' | PRODUCT SPEC APPLICATION SPEC CASE CODE WEIGHT CUSTOMER DRAWING | NAME PLUG ASSY, W/COVER 1.0mm FH(IEEE1386) CONNECTOR SIZE A1 00779 C=120534 SCALE 7:1 SHEET 1 OF 1 REV H |