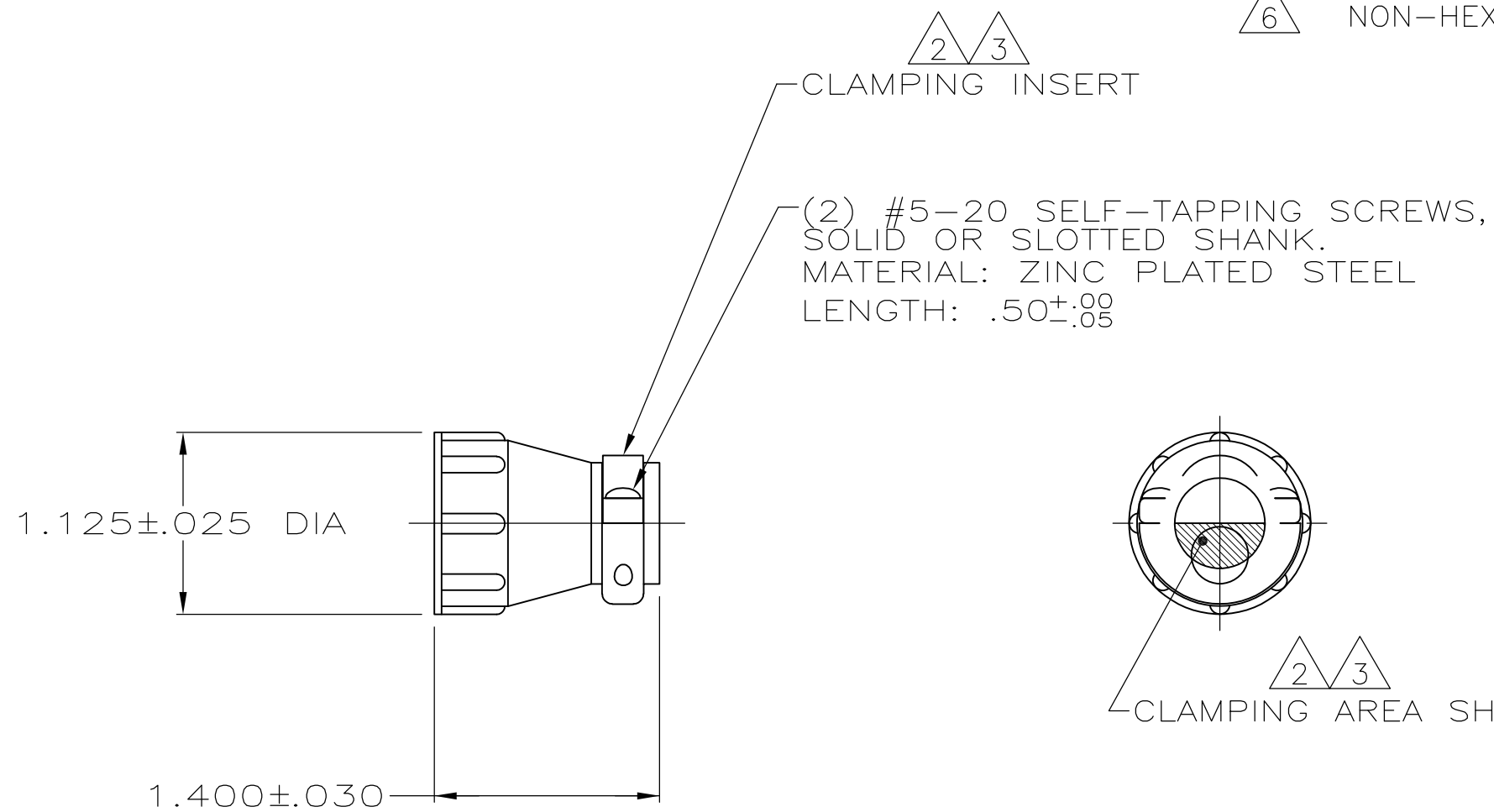


THIS DRAWING IS UNPUBLISHED. RELEASED FOR PUBLICATION
 © COPYRIGHT BY TYCO ELECTRONICS CORPORATION. ALL INTERNATIONAL RIGHTS RESERVED.

LOC	DIST	REVISIONS					
FT	0	P	LTR	DESCRIPTION	DATE	DWN	APVD
		N		REVISED PER ECO-08-029122	22NOV08	HMR	MS

- 1 PART PACKAGED UNASSEMBLED.
- △2 CABLE CLAMPING AREA ADJUSTABLE FROM .010 TO .161 SQ IN BY REVERSING CLAMPING INSERTS. (2 INSERTS SUPPLIED)
- △3 CABLE CLAMPING AREA ADJUSTABLE FROM .010 TO .161 SQ IN BY CHANGING CLAMPING INSERTS. (4 INSERTS SUPPLIED, -4 ONLY)
- 4 .453 MAXIMUM CABLE OUTSIDE DIAMETER.
- △5 BULK PACKAGED KITS TO BE ORDERED IN MULTIPLES OF 200 ONLY.
- △6 NON-HEXAVALENT CHROMATE FINISH.



△6	INDIVIDUAL	1-206070-1
△2 △6	△5 BULK	1-206070-0
△2 △6	SMALL PACK	206070-9
△2 △6	INDIVIDUAL	206070-8
△6	INDIVIDUAL	206070-7
△6	SMALL PACK	206070-6
OBSOLETE	△5 BULK	206070-4
△6 △2	△5 BULK	206070-3
△6 △2	INDIVIDUAL	206070-1
PACKAGING		PART NUMBER

THIS DRAWING IS A CONTROLLED DOCUMENT.		DWN	4/23/91		Tyco Electronics Corporation														
		CHK	7-22-92		Harrisburg, PA 17105-3608														
		APVD	-		CABLE CLAMP KIT, STANDARD, SHELL SIZE 17, CPC														
DIMENSIONS: INCHES		TOLERANCES UNLESS OTHERWISE SPECIFIED:		108-10024															
<table border="0"> <tr><td>0 PLC</td><td>± -</td></tr> <tr><td>1 PLC</td><td>± -</td></tr> <tr><td>2 PLC</td><td>± -</td></tr> <tr><td>3 PLC</td><td>± -</td></tr> <tr><td>4 PLC</td><td>± -</td></tr> <tr><td>ANGLES</td><td>± -</td></tr> </table>		0 PLC	± -	1 PLC	± -	2 PLC	± -	3 PLC	± -	4 PLC	± -	ANGLES	± -	MATERIAL		THERMOPLASTIC			
0 PLC	± -																		
1 PLC	± -																		
2 PLC	± -																		
3 PLC	± -																		
4 PLC	± -																		
ANGLES	± -																		
		FINISH		-															
		WEIGHT		-															
		CUSTOMER DRAWING		SCALE		SHEET													
				NTS		1 OF 1													
				DRAWING NO		RESTRICTED TO													
				A3 00779 C-206070		-													
				REV		N													