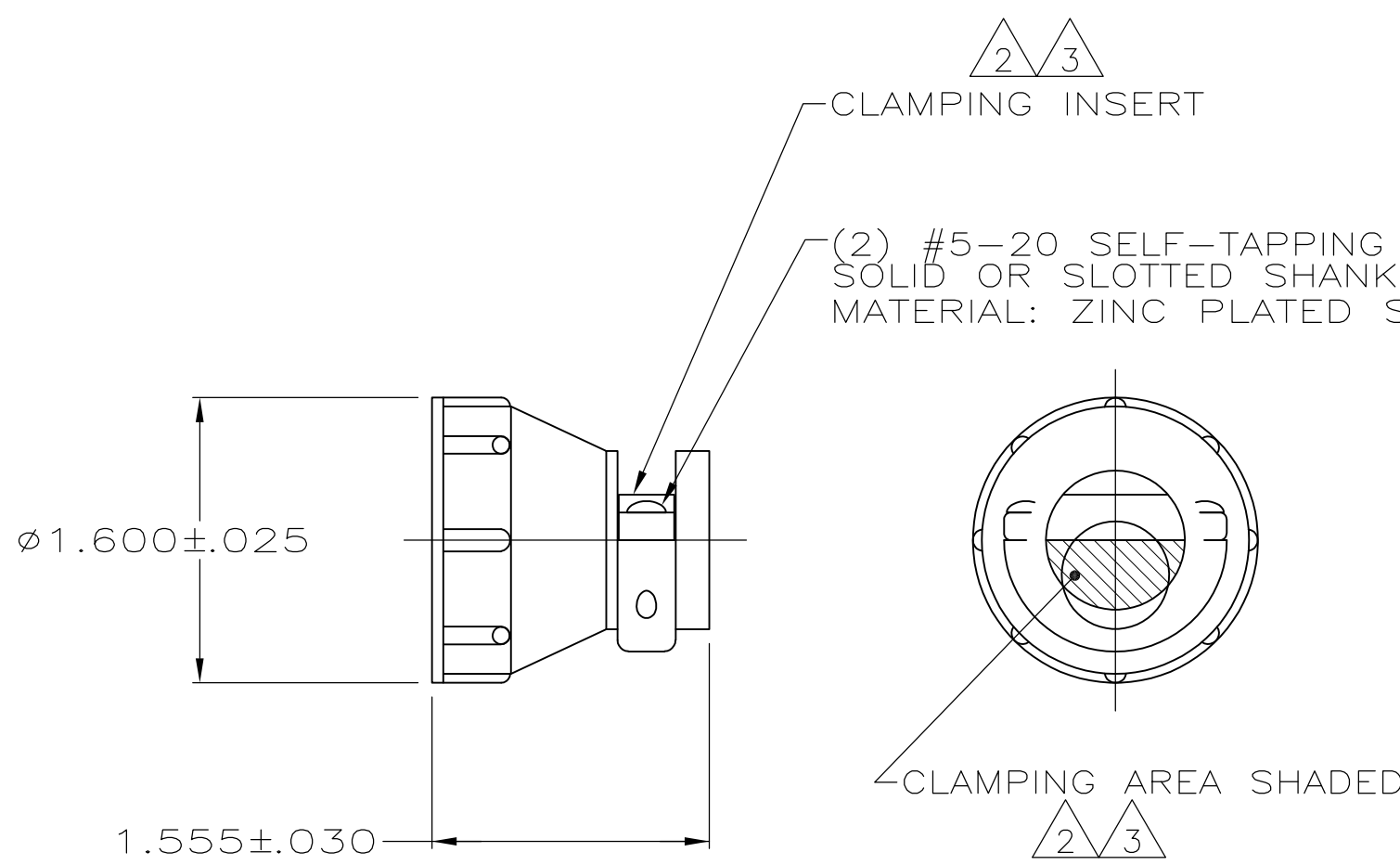


THIS DRAWING IS UNPUBLISHED. RELEASED FOR PUBLICATION  
 © COPYRIGHT - By - ALL RIGHTS RESERVED.

LOC	DIST	REVISIONS			
P	LTR	DESCRIPTION	DATE	DWN	APVD
FT	0	S4	REVISED PER ECO-11-004587	11MAR11	RK HMR

- 1 PARTS PACKAGED UNASSEMBLED.
- △2 CABLE CLAMPING AREA ADJUSTABLE FROM .100 TO .410 SQ IN BY REVERSING CLAMPING INSERTS. (2 INSERTS SUPPLIED)
- △3 CABLE CLAMPING AREA ADJUSTABLE FROM .100 TO .410 SQ IN BY CHANGING CLAMPING INSERTS. (4 INSERTS SUPPLIED, -3 ONLY)
- 4 .703 MAXIMUM CABLE OUTSIDE DIAMETER.
- △5 BULK PACKAGED KITS TO BE ORDERED IN MULTIPLES OF 100 ONLY.
- △6 SCREW FINISH ZINC WITH NON-HEXAVALENT CHROMATE.
- △7 OBSOLETE PARTS: OBSOLETE CIS STREAMLINING PER D.RENAUD/D.SINISI



△	SCREW LENGTH	PACKAGING	PART NUMBER
△2	.75 <sup>±.00</sup> / <sub>-.05</sub>	INDIVIDUAL	1-206138-2
△2	.75 <sup>±.00</sup> / <sub>-.05</sub> / .62 <sup>±.00</sup> / <sub>-.05</sub>	INDIVIDUAL	1-206138-1
△2	.62 <sup>±.00</sup> / <sub>-.05</sub>	△5 BULK	1-206138-0
△2 △7	OBSOLETE .62 <sup>±.00</sup> / <sub>-.05</sub>	SMALL PACK	<del>206138-9</del>
△2	.62 <sup>±.00</sup> / <sub>-.05</sub>	INDIVIDUAL	206138-8
△2 △7	SUPERSEDED BY 1-206138-1 .75 <sup>±.00</sup> / <sub>-.05</sub> / .62 <sup>±.00</sup> / <sub>-.05</sub>	INDIVIDUAL	<del>206138-7</del>
△7	OBSOLETE .62 <sup>±.00</sup> / <sub>-.05</sub>	SMALL PACK	<del>206138-6</del>
	OBSOLETE	△5 BULK	<del>206138-3</del>
△2	SUPERSEDED BY 1-206138-0 .62 <sup>±.00</sup> / <sub>-.05</sub>	△5 BULK	206138-2
△2	SUPERSEDED BY 206138-8 .62 <sup>±.00</sup> / <sub>-.05</sub>	INDIVIDUAL	206138-1

THIS DRAWING IS A CONTROLLED DOCUMENT.		DWN A GRAFF 4/23/91	<b>STE</b> TE Connectivity			
DIMENSIONS: INCHES		CHK W.G.LENKER 7-22-92				
TOLERANCES UNLESS OTHERWISE SPECIFIED:		APVD -	CABLE CLAMP KIT, STANDARD, SHELL SIZE 23, CPC			
0 PLC ± -		PRODUCT SPEC 108-10024				
1 PLC ± -		APPLICATION SPEC -	SIZE A3	CAGE CODE 00779	DRAWING NO C-206138	RESTRICTED TO -
2 PLC ± -		WEIGHT -	SCALE NTS		SHEET 1 OF 1	REV S4
3 PLC ± -		CUSTOMER DRAWING				
4 PLC ± -						
ANGLES ± -						
FINISH -						
MATERIAL THERMOPLASTIC						