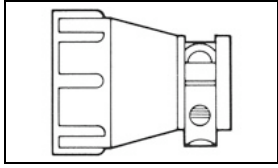


## 1-206070-0 Product Details



**1-206070-0**

TE Internal Number: 1-206070-0



### CPC Accessories

 Always EU RoHS/ELV Compliant (Statement of Compliance)

### Product Highlights:

- Accessory Type = Cable Clamp
- Shell Size = 17
- Body Style = Straight
- Cable Diameter (Max.) = 11.51 mm
- Thermoplastic Cable Clamp Material

### Documentation & Additional Information

#### Product Drawings:

- [CABLE CLAMP KIT, STANDARD, SHELL SIZE 17, CPC](#) (PDF, English)

#### Catalog Pages/Data Sheets:

- [AMP Circular Connectors for Commercial Signal & Powe...](#) (PDF, English)

#### Product Specifications:

- None Available

#### Application Specifications:

- None Available

#### Instruction Sheets:

- None Available

#### CAD Files: ([CAD Format & Compression Information](#))

- [2D Drawing](#) (DXF, Version R)
- [3D Model](#) (IGES, Version R)
- [3D Model](#) (STEP, Version R)

#### Additional Information:

- [Product Line Information](#)

#### Additional Product Images:

- [Product Usage](#)
- [Product Usage](#)
- [Product Usage](#)

#### Related Products:

- [Tooling](#)

### Product Features (Please use the Product Drawing for all design activity)

#### Product Type Features:

- [Accessory Type](#) = Cable Clamp
- [Shell Size](#) = 17
- [Thread Size](#) = 15/16-20

#### Dimensions:

- [Cable Diameter \(Max.\)](#) (mm [in]) = 11.51 [0.453]

#### Body Features:

- [Body Style](#) = Straight
- [Cable Clamp Material](#) = Thermoplastic
- [Cover](#) = Without
- [Cable Clamp Color](#) = Black
- [Cable Clamp Flammability Rating](#) = UL94V-1

#### Industry Standards:

- [RoHS/ELV Compliance](#) = RoHS compliant, ELV compliant
- [Lead Free Solder Processes](#) = Not relevant for lead free process
- [RoHS/ELV Compliance History](#) = Always was RoHS compliant

#### Packaging Features:

- [Packaging Method](#) = Bulk
- [Packaging Quantity](#) = 200

#### Other:

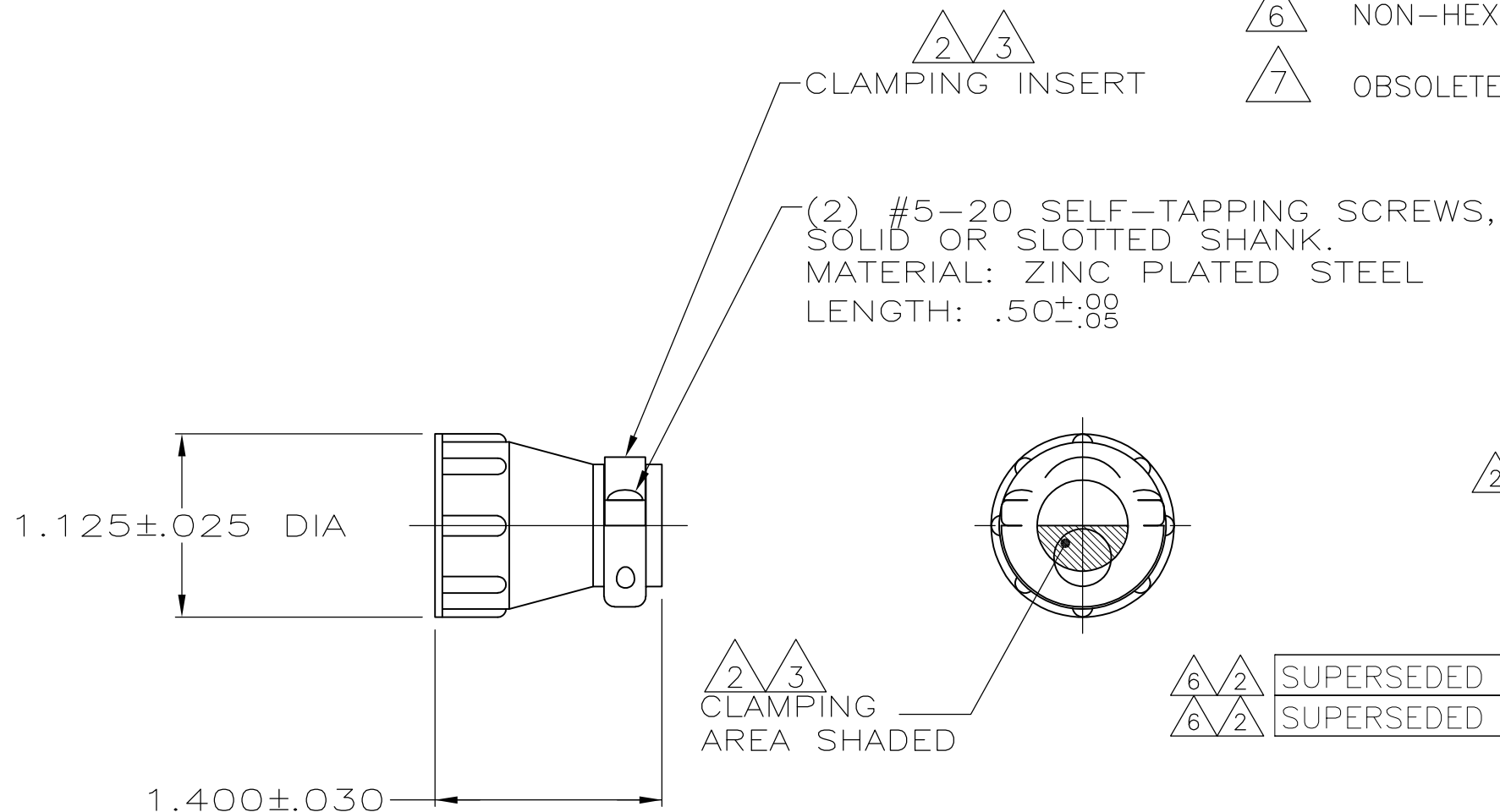
- [Brand](#) = AMP
- [Comment](#) = Cable clamps can be threaded directly onto plugs or receptacles, or onto back-shell extenders.; Cable clamp inserts are not sold separately.; Components for all cable clamps are packaged unassembled. This includes the cable clamp, two screws, and the clamping inserts.; Clamping areas adjustable by inverting or changing inserts.; Packaging includes two screws: Shell sizes 11-17, screw length 9.52 [.375]; shell size 23, screw length 15.88 [.625].; Replacement screws are available in the following sizes: 9.52mm [3/8 in.] - P/N 19024-1, 12.7mm [1/2 in.] -P/N 19024-2, 15.88]mm [5/8 in.] -P/N 19024-3, 25.4mm [1 in.] -P/N 19024-4, 19.05mm [3/4 in.] -P/N 19024-5.

THIS DRAWING IS UNPUBLISHED. RELEASED FOR PUBLICATION

© COPYRIGHT - By - ALL RIGHTS RESERVED.

LOC	DIST	REVISIONS					
FT	0	P	LTR	DESCRIPTION	DATE	DWN	APVD
			N3	REVISED PER ECO-11-004587	11MAR11	RK	HMR

- 1 PART PACKAGED UNASSEMBLED.
- 2 CABLE CLAMPING AREA ADJUSTABLE FROM .010 TO .161 SQ IN BY REVERSING CLAMPING INSERTS. (2 INSERTS SUPPLIED)
- 3 CABLE CLAMPING AREA ADJUSTABLE FROM .010 TO .161 SQ IN BY CHANGING CLAMPING INSERTS. (4 INSERTS SUPPLIED, -4 ONLY)
- 4 .453 MAXIMUM CABLE OUTSIDE DIAMETER.
- 5 BULK PACKAGED KITS TO BE ORDERED IN MULTIPLES OF 200 ONLY.
- 6 NON-HEXAVALENT CHROMATE FINISH.
- 7 OBSOLETE PARTS: OBSOLETE CIS STREAMLINING PER D.RENAUD/D.SINISI



6	INDIVIDUAL	1-206070-1
2 6	5 BULK	1-206070-0
2 6 7	OBSOLETE SMALL PACK	<del>206070-9</del>
2 6	INDIVIDUAL	206070-8
6 7	OBSOLETE INDIVIDUAL	<del>206070-7</del>
6 7	OBSOLETE SMALL PACK	<del>206070-6</del>
	OBSOLETE BULK	<del>206070-4</del>
6 2	5 BULK	206070-3
6 2	INDIVIDUAL	206070-1
	PACKAGING	PART NUMBER

THIS DRAWING IS A CONTROLLED DOCUMENT.		DWN	4/23/91		<b>STE</b> TE Connectivity			
		CHK	7-22-92					
		W.G.LENKER			NAME			
		APVD -			CABLE CLAMP KIT, STANDARD, SHELL SIZE 17, CPC			
DIMENSIONS: INCHES		TOLERANCES UNLESS OTHERWISE SPECIFIED:			PRODUCT SPEC			
		0 PLC ± -			108-10024			
		1 PLC ± -			APPLICATION SPEC			
		2 PLC ± -			SIZE			
		3 PLC ± -			CAGE CODE			
		4 PLC ± -			DRAWING NO			
		ANGLES ± -			RESTRICTED TO			
MATERIAL		FINISH			WEIGHT			
THERMOPLASTIC		-			-			
CUSTOMER DRAWING					SCALE		SHEET	
					NTS		1 OF 1	
							REV	
							N3	