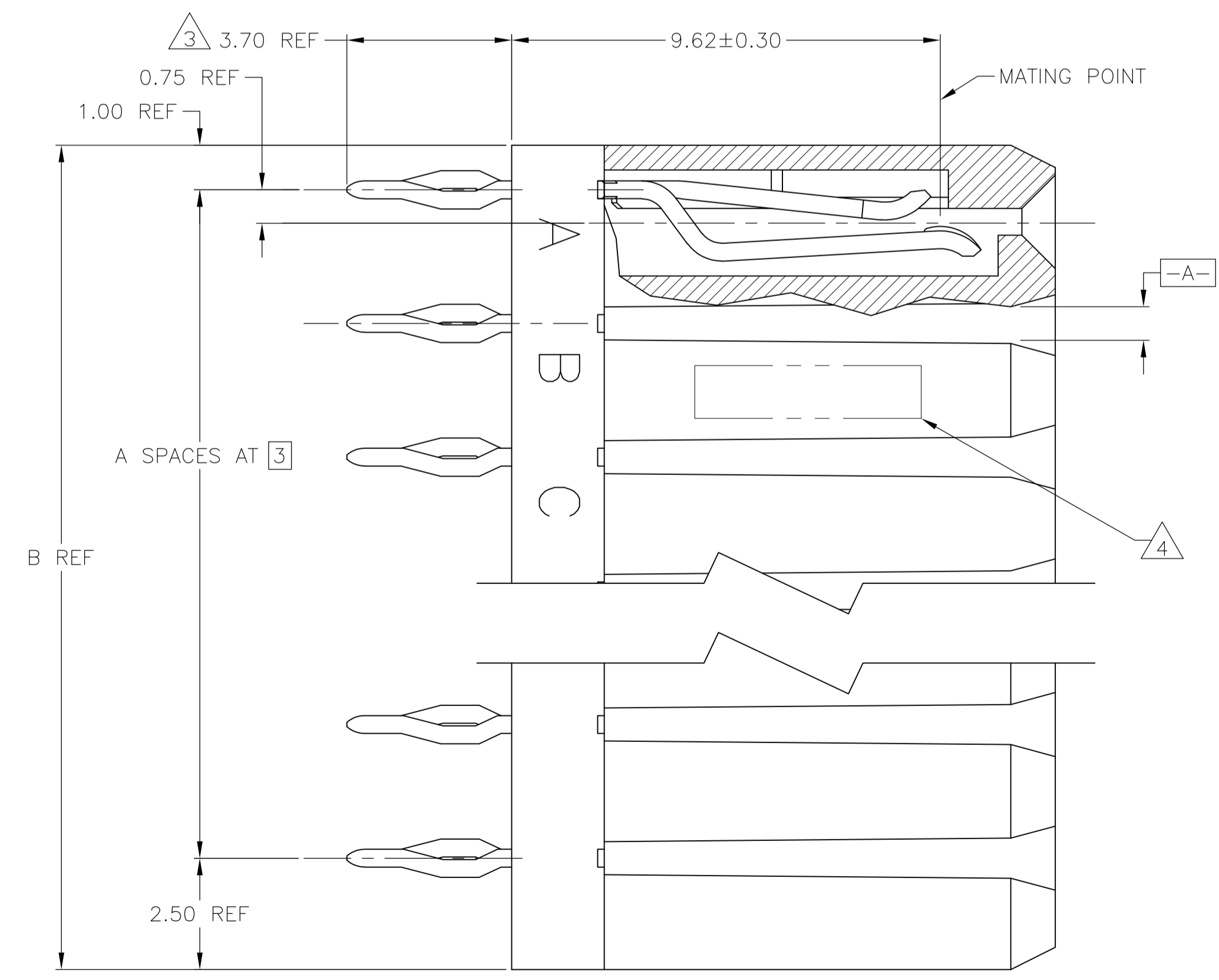
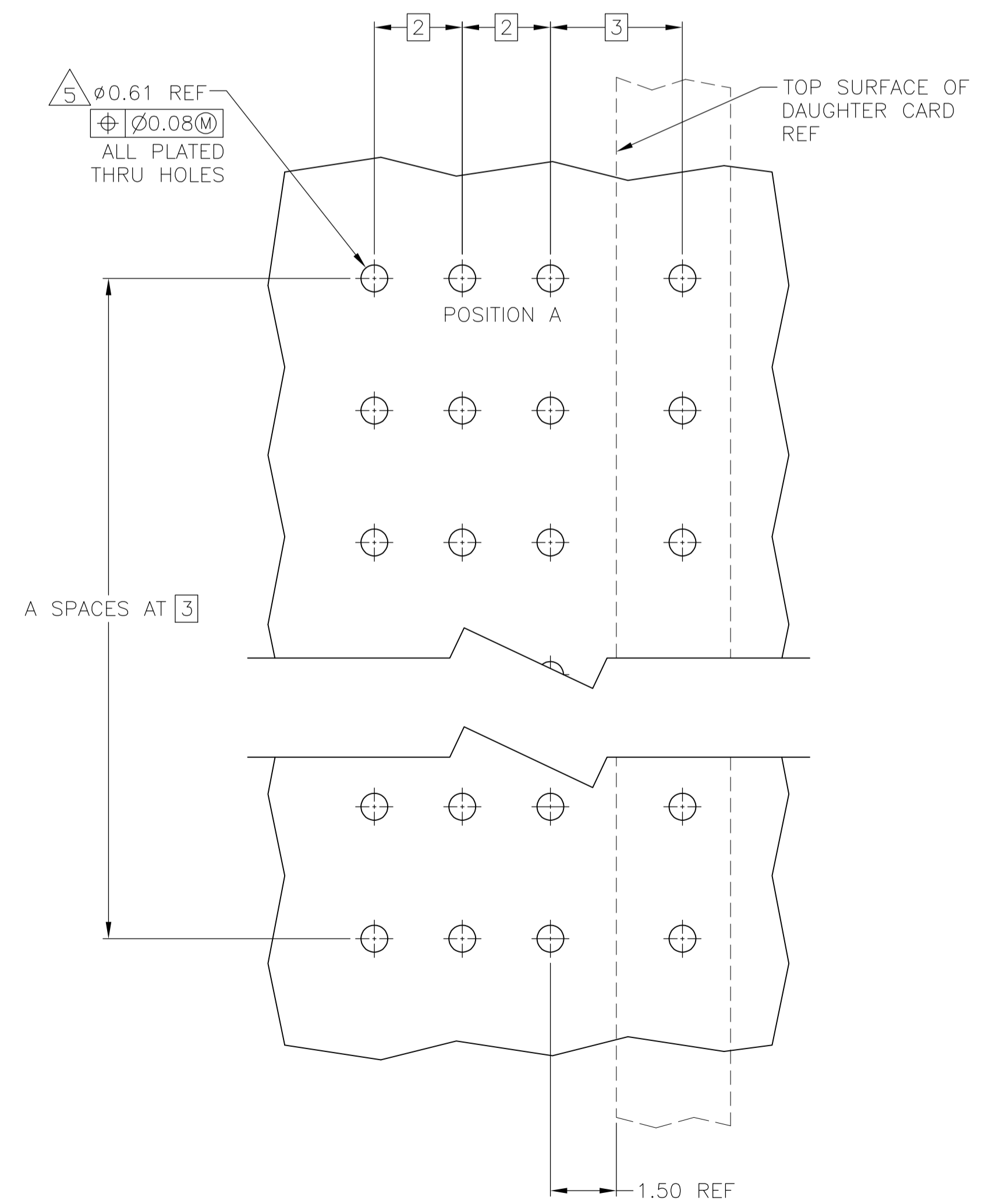
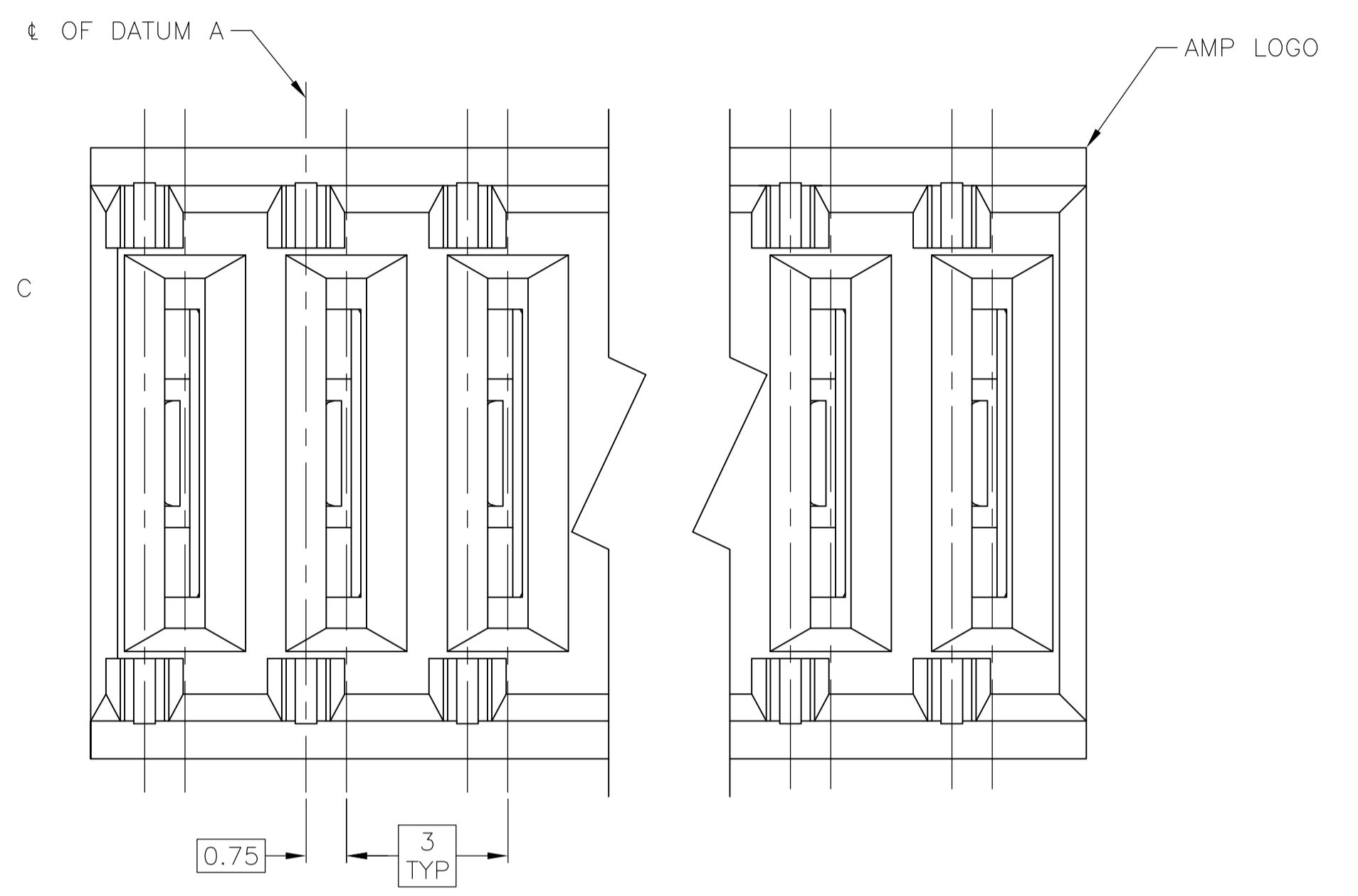
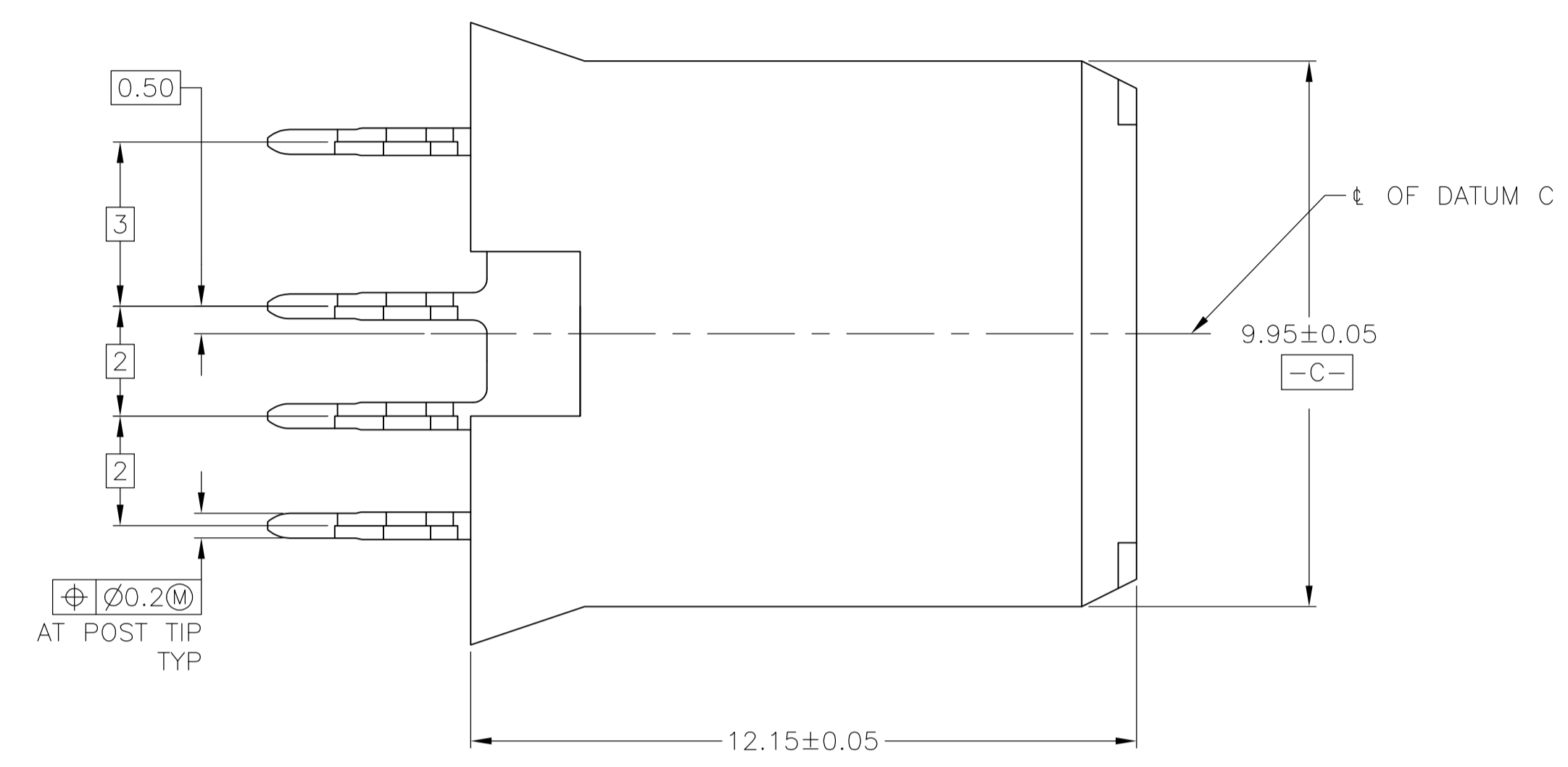
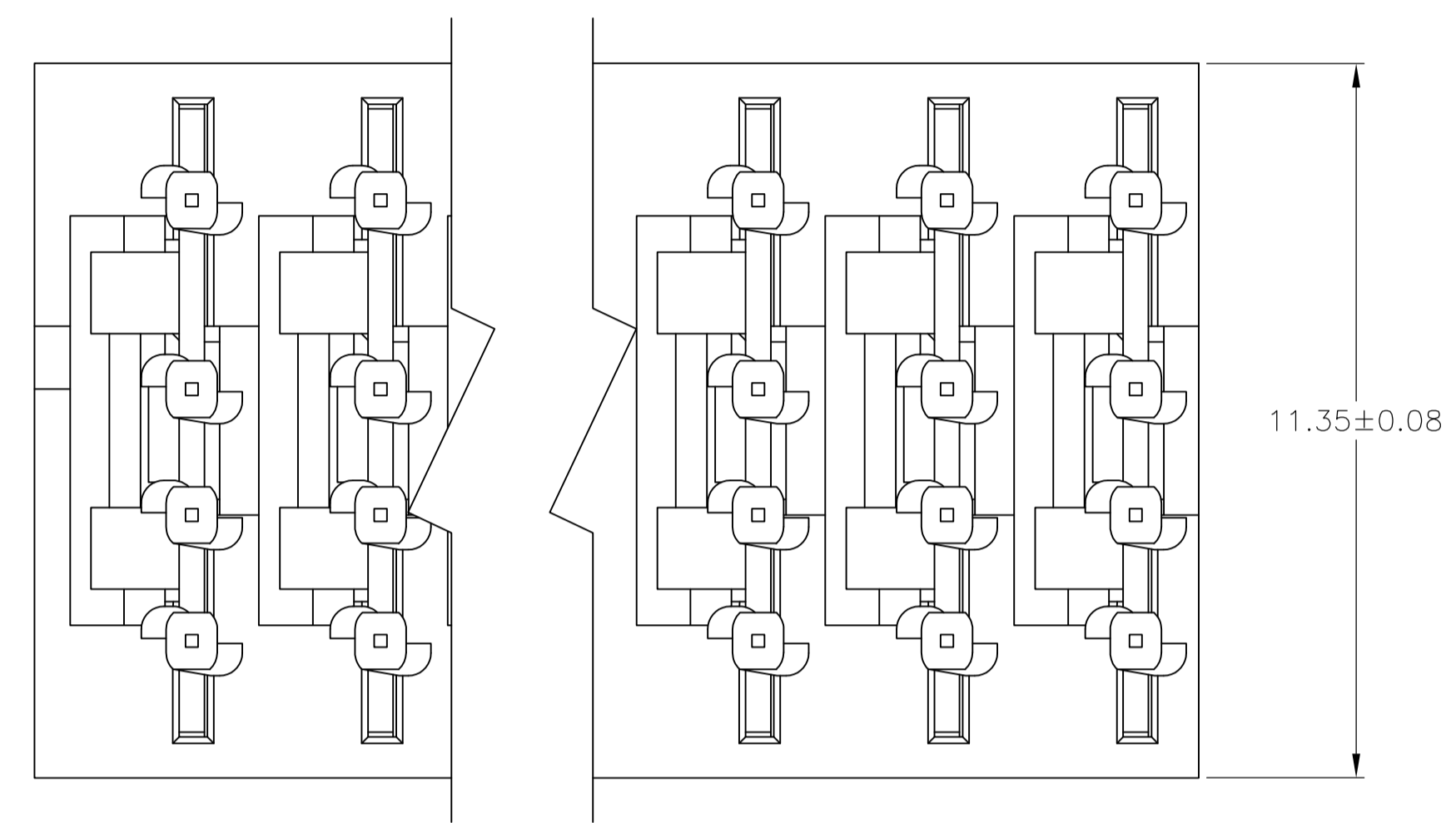


LOC		DIST		REVISIONS			
P	LTR	DESCRIPTION	DATE	DMN	APVD		
B1		REVISED PER ECO-11-004835	11MAR11	RK	HMR		

- 1 MATERIAL: HOUSING : POLYESTER, GRAY. UL 94V-0.
CONTACT: HIGH CURRENT COPPER ALLOY.
- 2 FINISH: CONTACT MATING AREA: 1.27µm MIN GOLD OR 0.08µm MIN GOLD OVER 0.76µm PALLADIUM-NICKEL.
ACTION PIN AREA, 0.5µm MIN MATTE TIN PLATE, ALL OVER 1.27µm MIN NICKEL UNDERPLATE.
- 3 TOLERANCE TO BE ±0.28 AFTER CONNECTOR IS APPLIED TO PC BOARD.
- 4 DATE CODE THIS APPROXIMATE AREA, OPPOSITE SIDE.
- 5 REFERENCE APPLICATION SPEC 114-1103 FOR RECOMMENDED PLATED THRU HOLE DIAMETER AND PLATING THICKNESS.
- 6. CURRENT RATING 16A/CONTACT PER PRODUCT SPEC 108-1651.
- 7 FINISH: CONTACT LUBRICATION WITH BELLCORE APPROVED LUBRICANT. TECHNICAL REFERENCE: GR-1217-CORE ISSUE 1, NOVEMBER 1995.



RECOMMENDED PCB HOLE LAYOUT

POSITION	B REF	A	PART NUMBER
12	36.5	11	120953-9
11	33.5	10	120953-8
10	30.5	9	120953-7
9	27.5	8	120953-6
8	24.5	7	120953-5
7	21.5	6	120953-4
6	18.5	5	120953-3
5	15.5	4	120953-2
4	12.5	3	120953-1

THIS DRAWING IS A CONTROLLED DOCUMENT.

DIMENSIONS: mm	TOLERANCES UNLESS OTHERWISE SPECIFIED:	DIN B. CARBO 130CT04	130CT04
0. PLC ± -	1. PLC ± -	CHK R. PATTERSON 130CT04	
1. PLC ± -	2. PLC ± 0.13	APP'D R. PATTERSON 130CT04	
2. PLC ± -	3. PLC ± -	NAME	
3. PLC ± -	4. PLC ± -	PRODUCT SPEC	
4. PLC ± -	ANGLES ± -	APPLICATION SPEC	
MATERIAL 1	FINISH 2 3	WEIGHT	
		SIZE	
		SCALE	
		SHEET	
		REV	

STE TE Connectivity
RECEPTACLE ASSEMBLY, UNIVERSAL POWER MODULE
A1 00779 C=120953
CUSTOMER DRAWING SCALE 10:1 SHEET 1 OF 1 REV B1