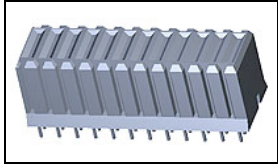


120953-4 Product Details



120953-4

TE Internal Number: 120953-4



Universal Power Modules

 Always EU RoHS/ELV Compliant (Statement of Compliance)

Product Highlights:

- Connector
- Connector Assembly
- Connector Style = Receptacle
- Contact Type = Socket
- 7 Positions

Documentation & Additional Information

Product Drawings:

- [RECEPTACLE ASSEMBLY, UNIVERSAL POWER MODULE](#) (PDF, English)

Catalog Pages/Data Sheets:

- [High Speed Backplane Connectors catalog - Z-PACK HM-...](#) (PDF, English)
- [High Speed Backplane Connectors catalog - Z-PACK HS3...](#) (PDF, English)
- [POWER_CONNECTORS_CATALOG_SEC01_BOARD_TO_BOARD](#) (PDF, English)
- [2_PIECE_POWER_CONNECTORS_qrg_4-1773458-1](#) (PDF, English)

Product Specifications:

- None Available

Application Specifications:

- None Available

Instruction Sheets:

- None Available

CAD Files: (CAD Format & Compression Information)

- [2D Drawing](#) (DXF, Version A)
- [3D Model](#) (IGES, Version A)
- [3D Model](#) (STEP, Version A)

Additional Information:

- [Product Line Information](#)

Related Products:

- [Tooling](#)
- [Mating Products \(2\)](#)

Product Features (Please use the Product Drawing for all design activity)

Product Type Features:

- [Product Type](#) = Connector
- Connector Type = Connector Assembly
- PCB Mounting Orientation = Vertical
- [Keyed](#) = No
- Post Type = Compliant Post

Termination Features:

- Solder Tail Contact Plating = Tin

Contact Features:

- Contact Type = Socket
- Contact Base Material = High Current Copper Alloy
- Contact Plating, Mating Area, Material = Gold (50)

Housing Features:

- Connector Style = Receptacle
- Housing Material = Polyester
- Housing Color = Gray

Configuration Features:

- [Number of Positions](#) = 7

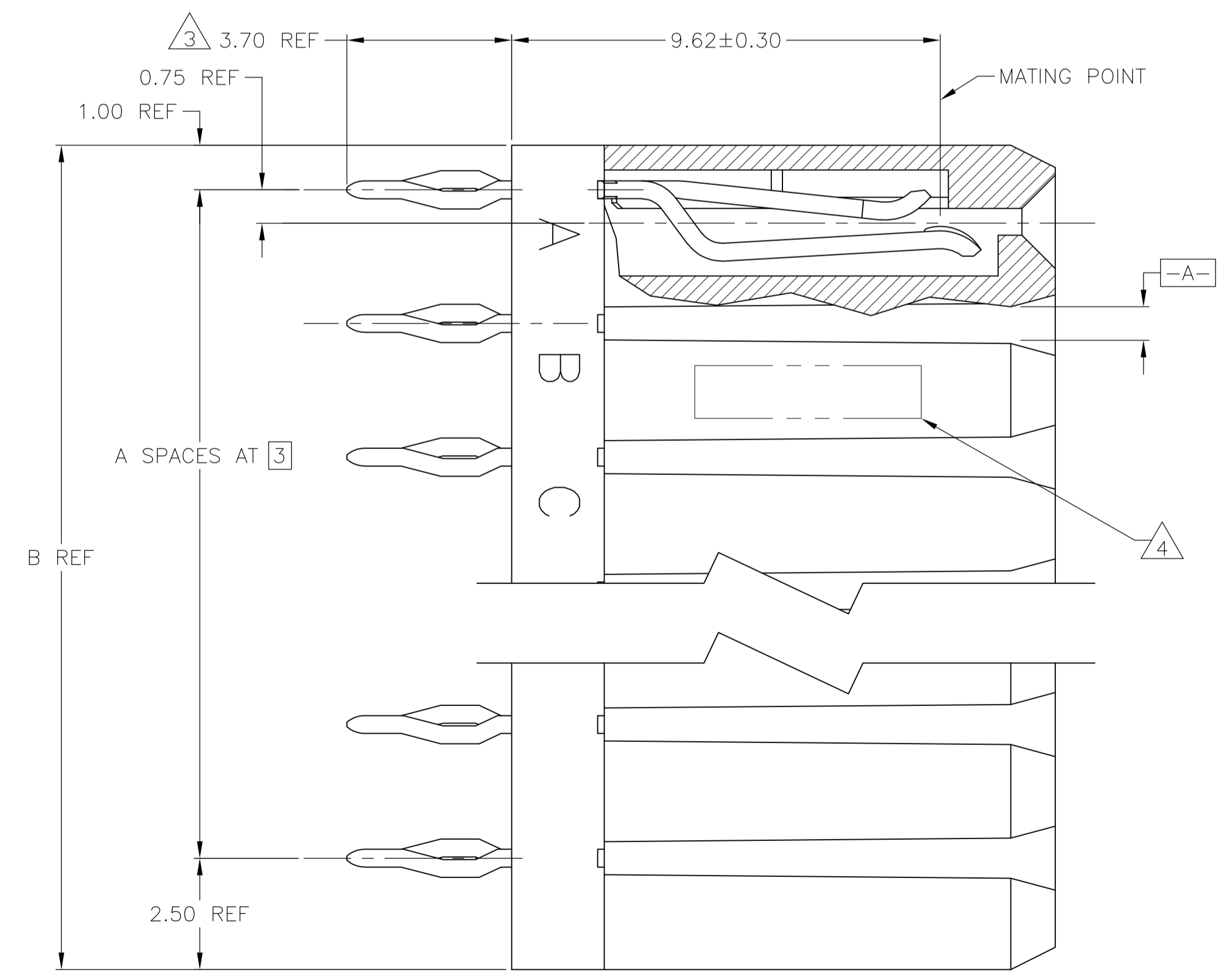
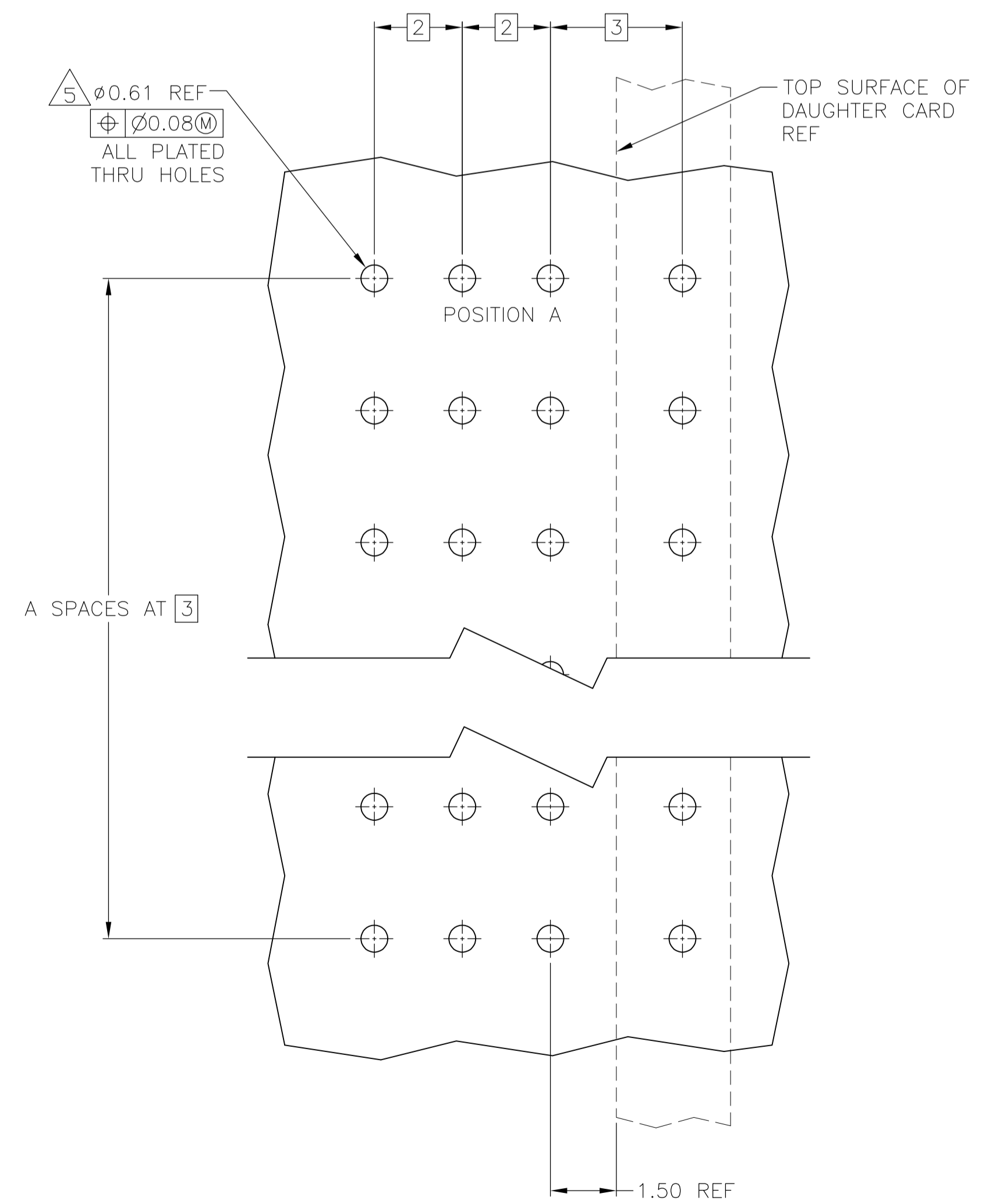
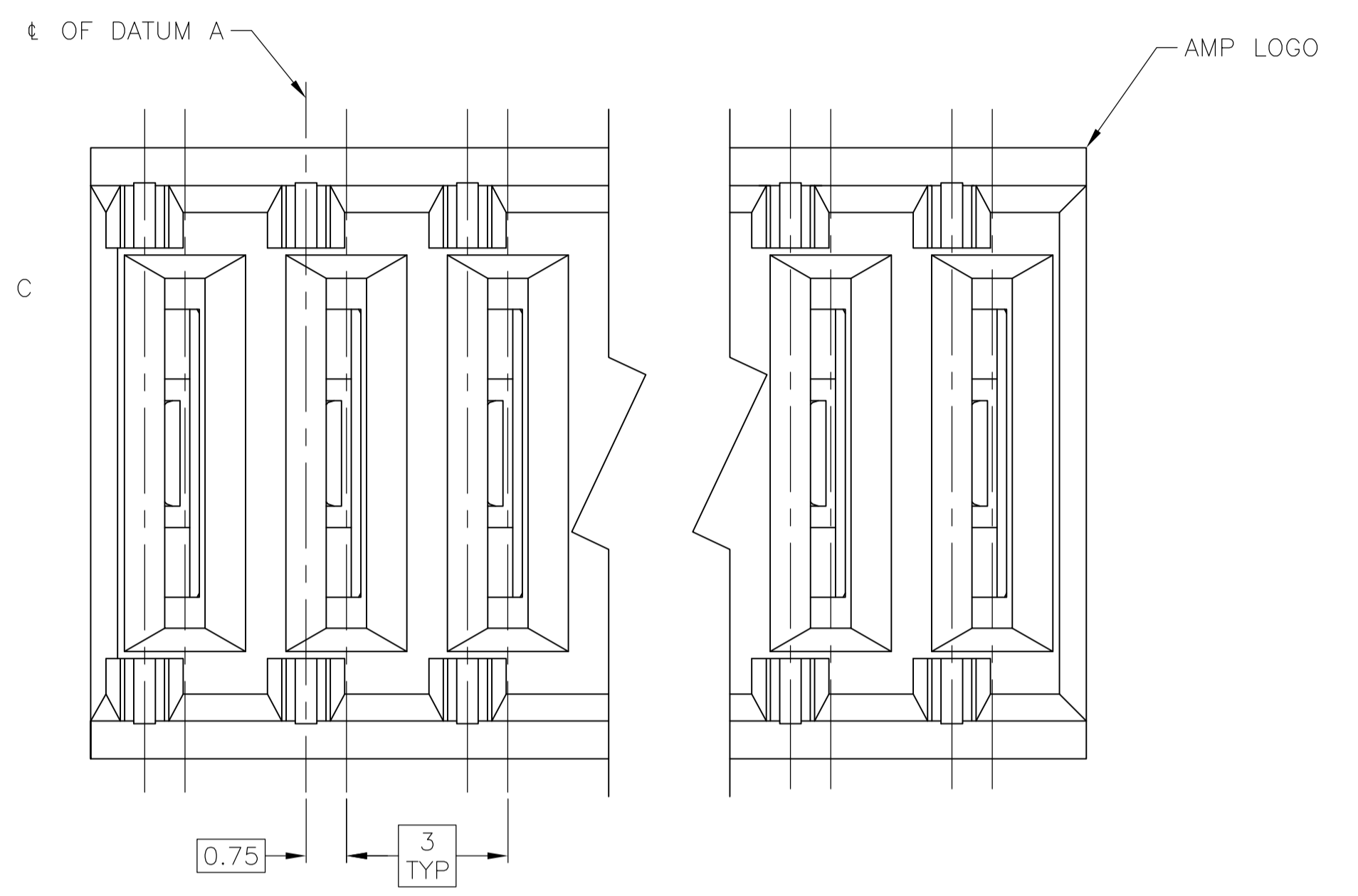
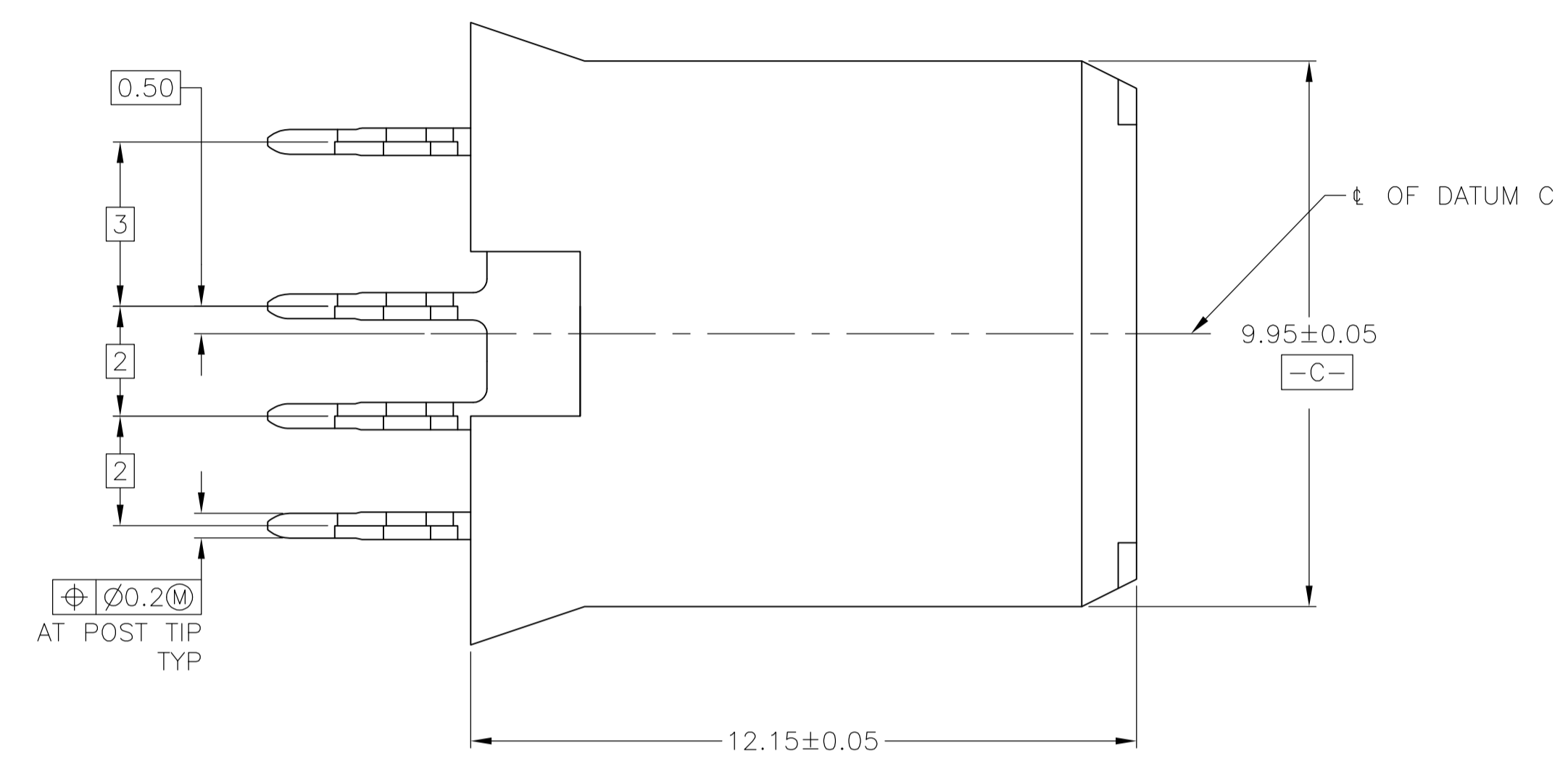
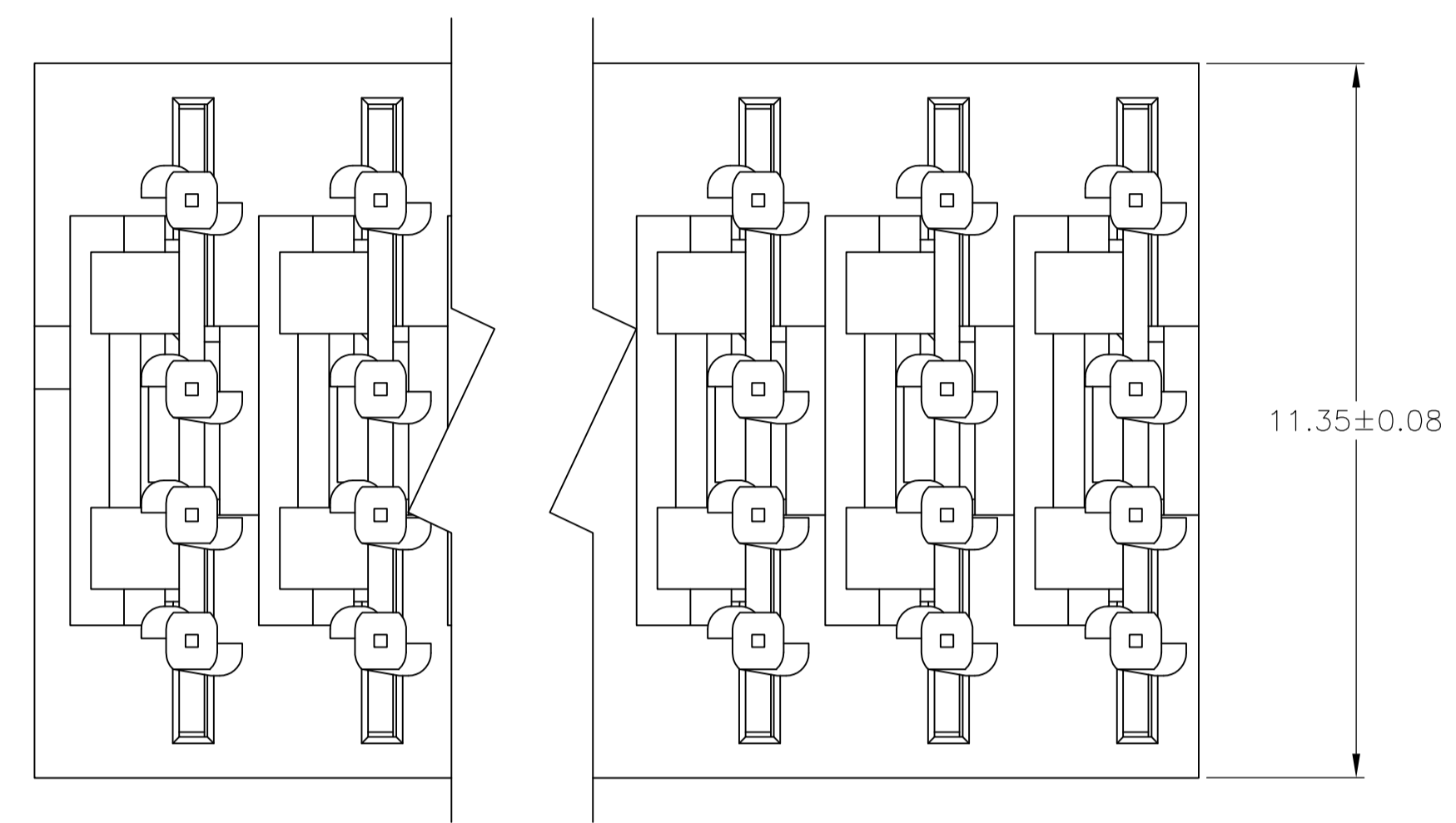
Industry Standards:

- [RoHS/ELV Compliance](#) = RoHS compliant, ELV compliant
- [Lead Free Solder Processes](#) = Not relevant for lead free process
- RoHS/ELV Compliance History = Always was RoHS compliant

Other:

- Brand = AMP

- 1 MATERIAL: HOUSING : POLYESTER, GRAY. UL 94V-0.
CONTACT: HIGH CURRENT COPPER ALLOY.
- 2 FINISH: CONTACT MATING AREA: 1.27µm MIN GOLD OR 0.08µm MIN GOLD OVER 0.76µm PALLADIUM-NICKEL.
ACTION PIN AREA, 0.5µm MIN MATTE TIN PLATE,
ALL OVER 1.27µm MIN NICKEL UNDERPLATE.
- 3 TOLERANCE TO BE ±0.28 AFTER CONNECTOR IS APPLIED TO PC BOARD.
- 4 DATE CODE THIS APPROXIMATE AREA, OPPOSITE SIDE.
- 5 REFERENCE APPLICATION SPEC 114-1103 FOR RECOMMENDED PLATED THRU HOLE DIAMETER AND PLATING THICKNESS.
- 6. CURRENT RATING 16A/CONTACT PER PRODUCT SPEC 108-1651.
- 7 FINISH: CONTACT LUBRICATION WITH BELLCORE APPROVED LUBRICANT.
TECHNICAL REFERENCE: GR-1217-CORE ISSUE 1, NOVEMBER 1995.



RECOMMENDED PCB HOLE LAYOUT

12	36.5	11	120953-9
11	33.5	10	120953-8
10	30.5	9	120953-7
9	27.5	8	120953-6
8	24.5	7	120953-5
7	21.5	6	120953-4
6	18.5	5	120953-3
5	15.5	4	120953-2
4	12.5	3	120953-1
POSITION	B REF	A	PART NUMBER

THIS DRAWING IS A CONTROLLED DOCUMENT.

DIMENSIONS: mm	TOLERANCES UNLESS OTHERWISE SPECIFIED:	DIN B. CARBO 130CT04	130CT04
0. PLC ± -	1. PLC ± -	CHK R. PATTERSON 130CT04	
2. PLC ± 0.13	3. PLC ± -	APP'D R. PATTERSON 130CT04	
4. PLC ± -	ANGLES ± -	NAME	
MATERIAL 1	FINISH 2 3	APPLICATION SPEC	
		WEIGHT	
		SIZE	
		SCALE	
		SHEET	
		REV	

STE TE Connectivity

RECEPTACLE ASSEMBLY, UNIVERSAL POWER MODULE

00779C=120953

CUSTOMER DRAWING SCALE 10:1 SHEET 1 OF 1 REV B1