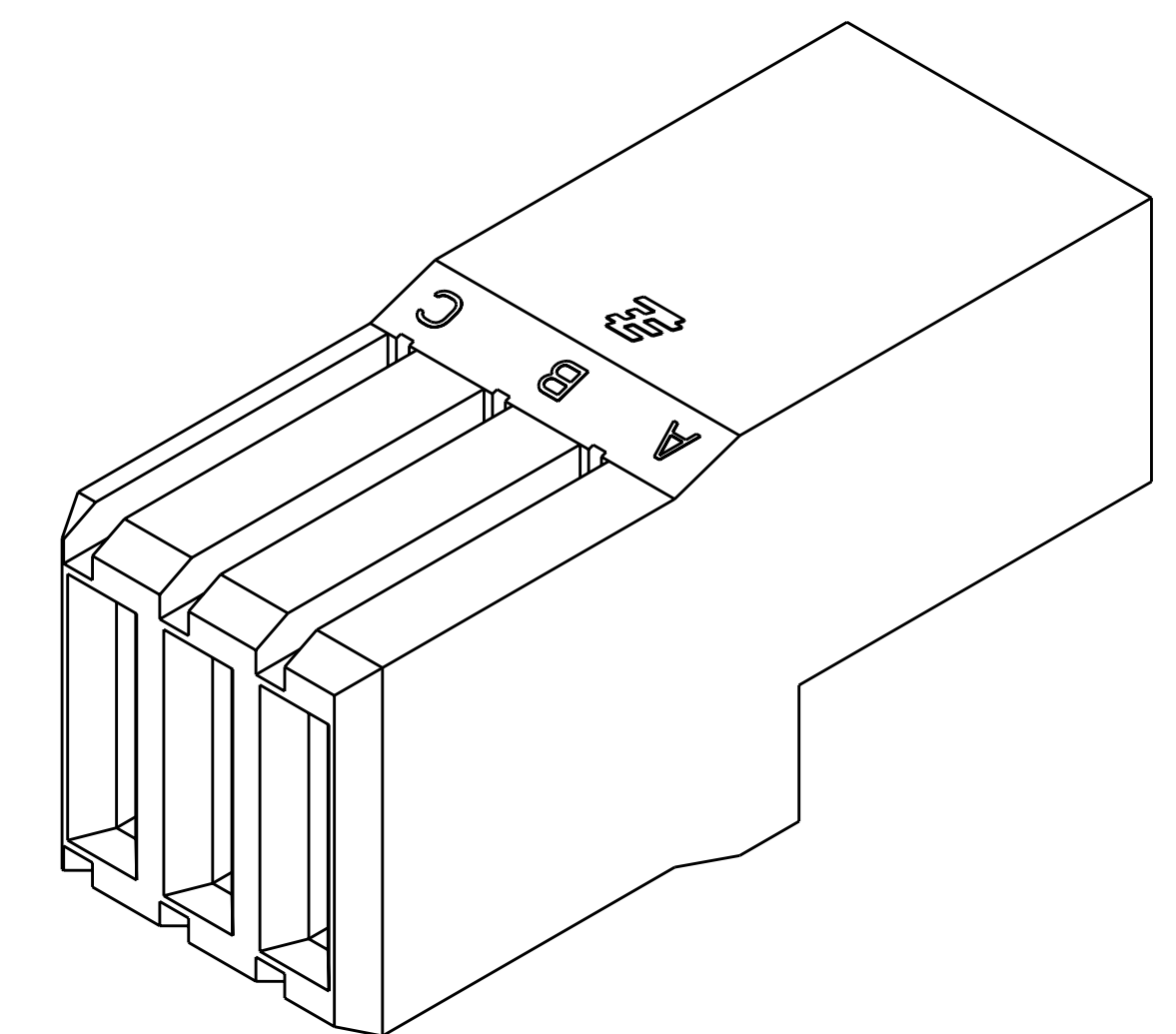
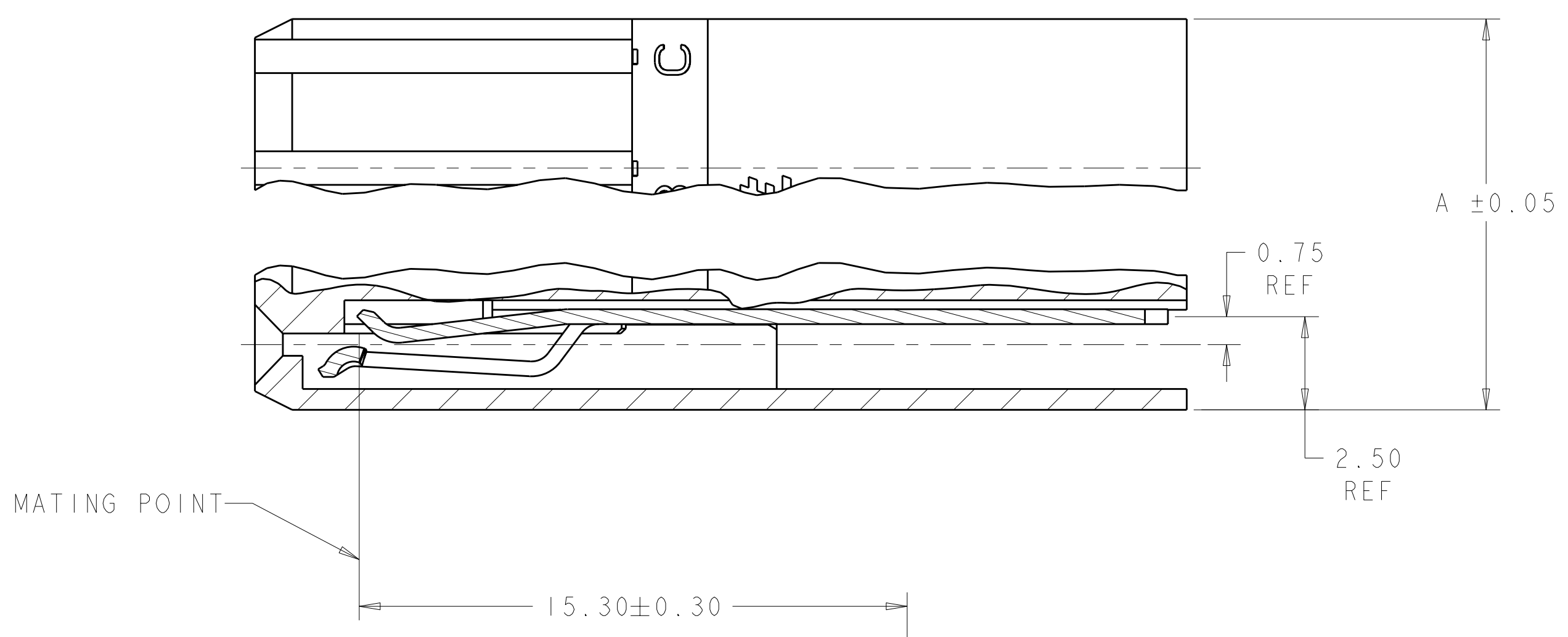
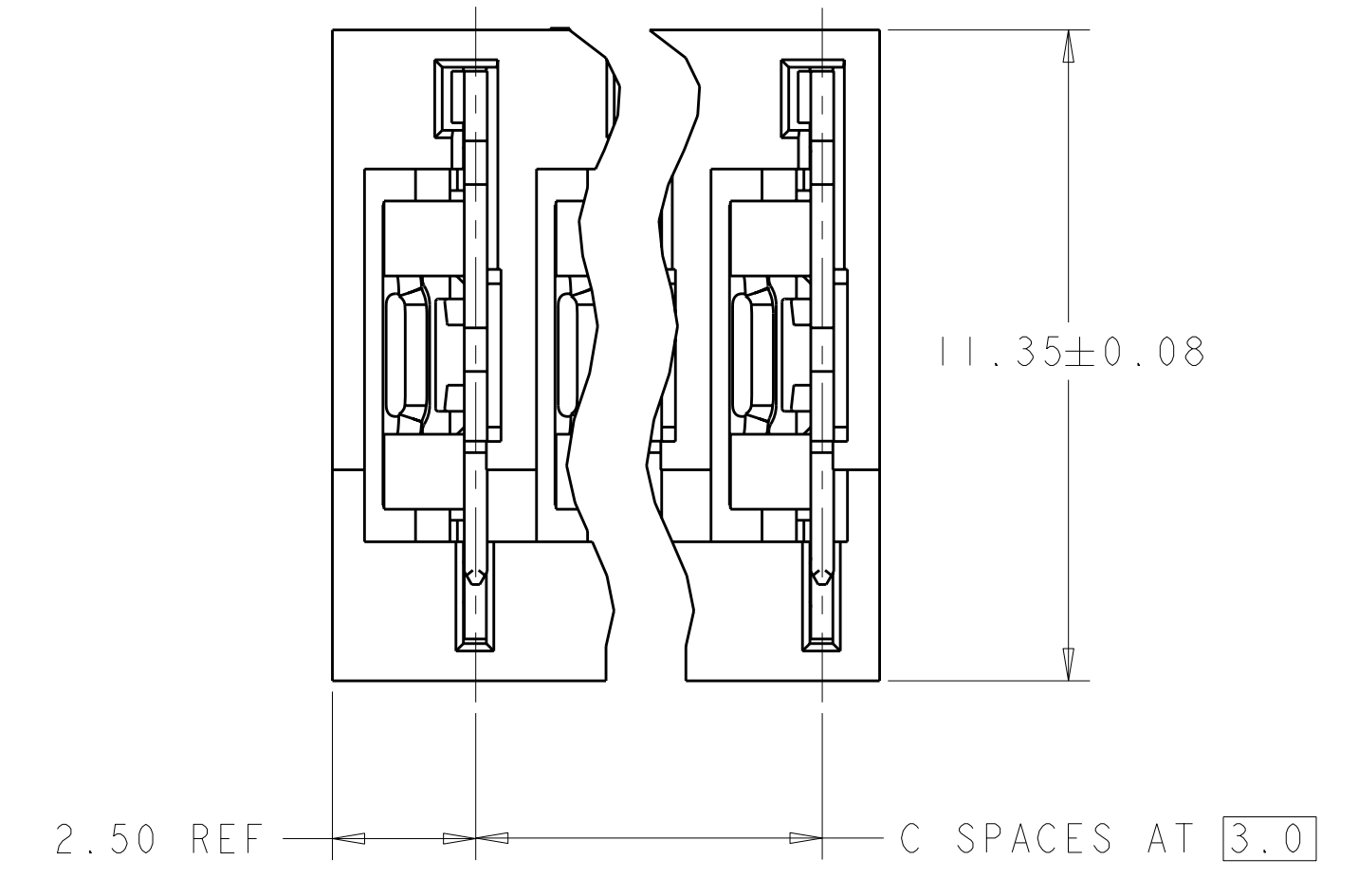
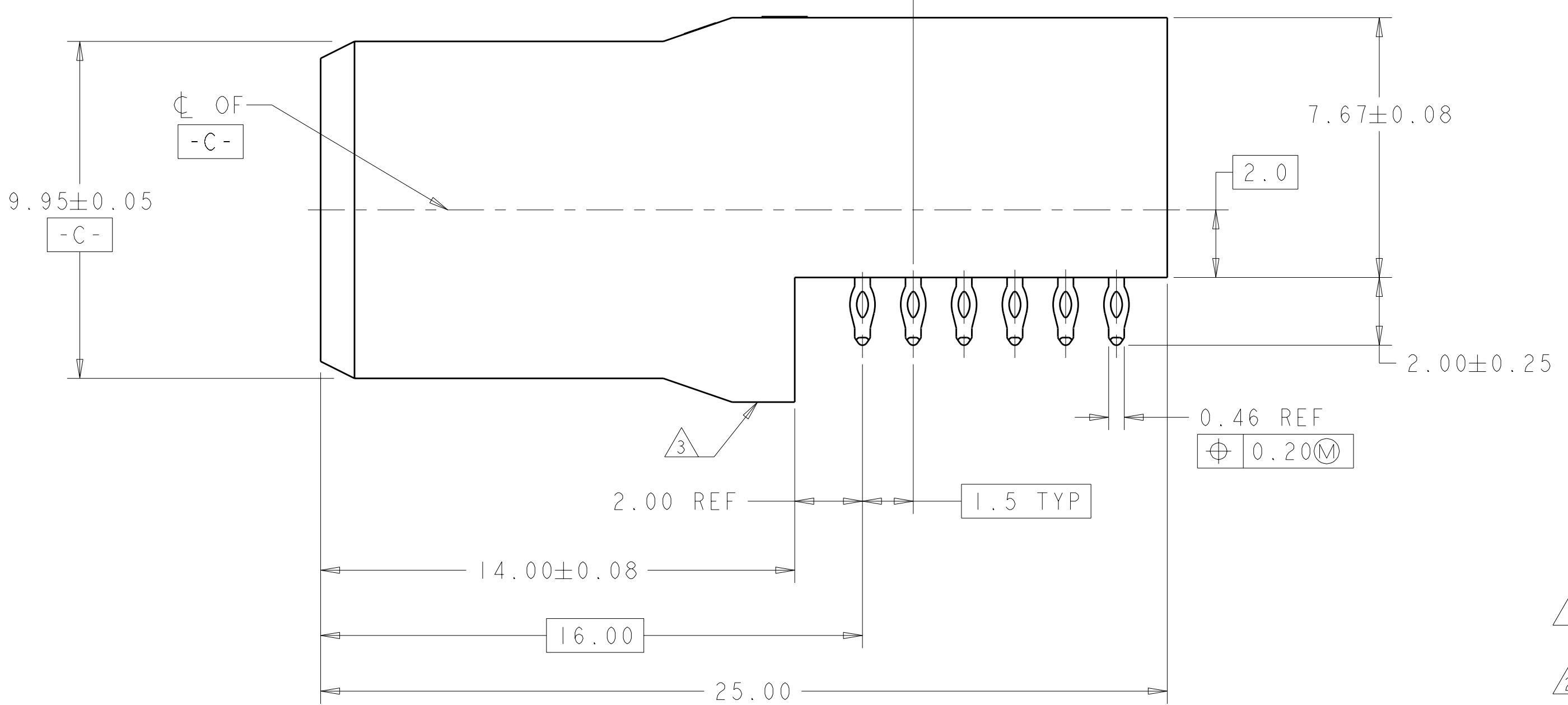
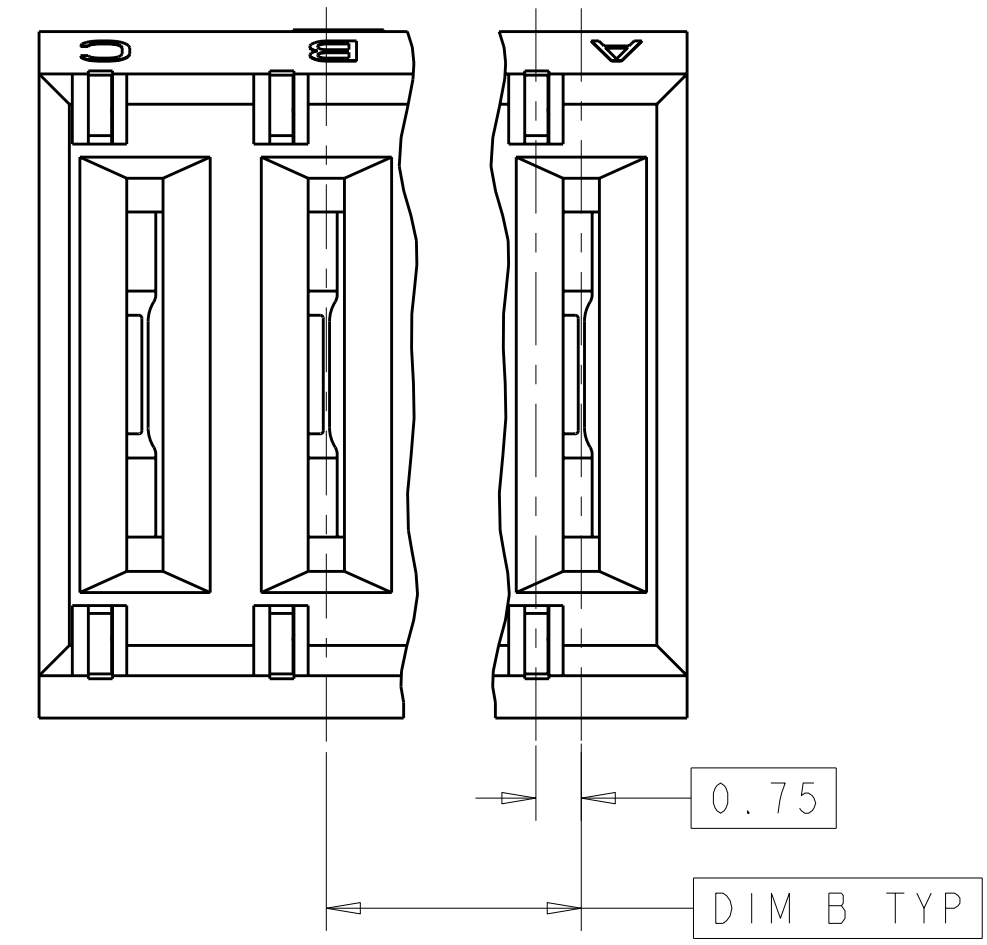


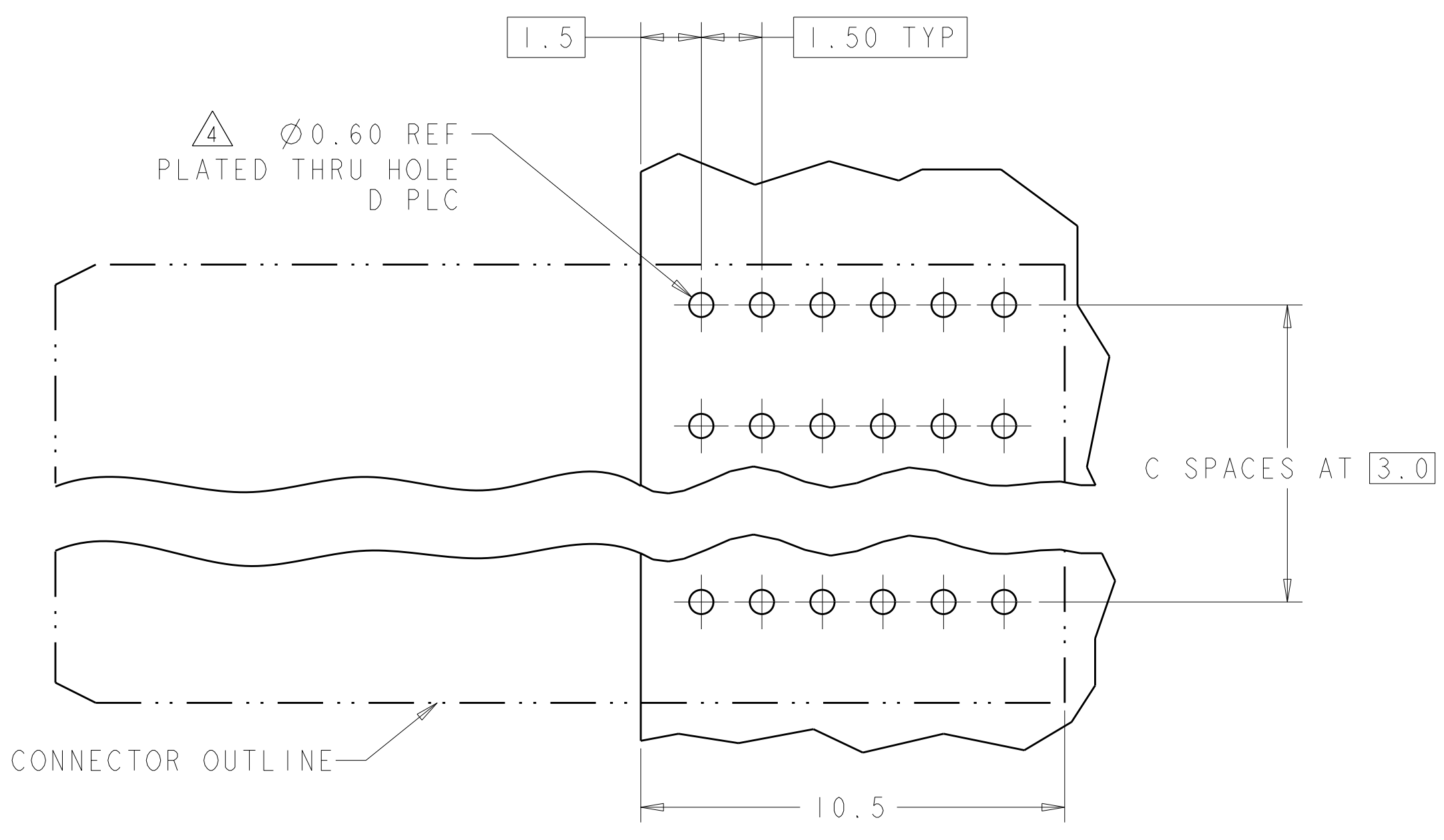
| LOC | DIST | REVISIONS | | | |
|-----|------|---------------------------|-----------|-----|------|
| P | LTG | DESCRIPTION | DATE | DWN | APVD |
| A1 | | REVISED PER ECO-11-004917 | 12MAR2011 | RK | HMR |



SCALE 6:1



- ① HOUSING: POLYESTER, GRAY.
CONTACT: HIGH CURRENT COPPER ALLOY.
- ② CONTACT MATING AREA: 1.27µm MIN GOLD PLATE,
ACTION PIN AREA, 0.5µm MIN MATTE TIN PLATE,
ALL OVER 1.27µm MIN NICKEL UNDERPLATE.
- ③ DATE CODE THIS APPROXIMATE AREA.
- ④ REFERENCE APPLICATION SPEC 114-1103 FOR RECOMMENDED
PLATED THRU HOLE DIAMETER & PLATING THICKNESSES.



| | | | | | |
|----|---|------|-------|------|-------------|
| 54 | 8 | 12.0 | 27.50 | 9 | 120943-7 |
| 48 | 7 | 10.5 | 24.50 | 8 | 120943-6 |
| 42 | 6 | 9.0 | 21.50 | 7 | 120943-5 |
| 36 | 5 | 7.5 | 18.50 | 6 | 120943-4 |
| 30 | 4 | 6.0 | 15.50 | 5 | 120943-3 |
| 24 | 3 | 4.5 | 12.30 | 4 | 120943-2 |
| 18 | 2 | 3.0 | 9.50 | 3 | 120943-1 |
| D | C | B | A | POSN | PART NUMBER |

THIS DRAWING IS A CONTROLLED DOCUMENT.

DWN: B. CARBO 16JUN2005
 CHK: R. PATTERSON 16JUN2005
 APVD: R. PATTERSON 16JUN2005

STE TE Connectivity
 ASSEMBLY, RIGHT ANGLE, RECEPTACLE, UNIVERSAL POWER MODULE

DIMENSIONS: mm
 TOLERANCES UNLESS OTHERWISE SPECIFIED:
 9 PLC ±
 3 PLC ±0.13
 5 PLC ±
 4 PLC ±
 ANGLES ±
 FINISH ±

MATERIAL:
 FINISH:

WEIGHT: -
 CUSTOMER DRAWING

SIZE: A100779
 CAGE CODE: C=120943
 DRAWING NO: 120943
 SHEET 1 OF 1
 SCALE 10:1
 REV A1